

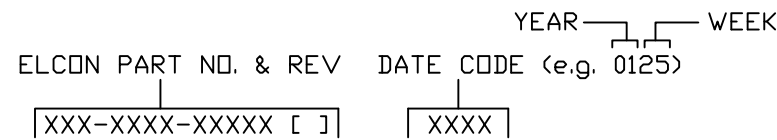
This drawing involves proprietary design rights of Tyco Electronics Corporation, and all design, manufacture, reproduction, use and sale rights regarding the same are expressly reserved. It is submitted for a specific purpose and the recipient by accepting this drawing, assumes custody and control and agrees to take reasonable precautions; (a) that this drawing will not be copied and reproduced, in whole or in part, or its contents revealed in any manner, or to any person except to meet the purpose for which it was delivered and (b) that any special features peculiar to this design will not be incorporated in other projects without the expressed written permission of Tyco Electronics Corporation.

REVISIONS

EC	REV	DESCRIPTION	DATE
11150	A	NEW RELEASE	25MAY99
11190	A1	ADDED NOTE 5	29JUL99
11447	A2	ADDED SOCKET SIDE PN 278-0629-00400	11NOV99
11567	A3	CHD FROM SHORT TAIL TO STD FOR 278-0629-00400	10JAN00
11987	B	SIGNAL MODULE NOW ALL PREMATE SIGNAL PIN	27JUN00
12641	C	CHANGED FROM MODULAR TO DEDICATED HOUSING	13APR01
12924	C1	ADDED PIN SIDE PN 479-0629-00300 (SHORT TAILS)	13AUG01
————	D	GENDER CHANGER DELETED. CONTACT WAS TWO-PIECE.	31JAN04
0S1Q-0042-04	D1	TOLERANCE TIGHTEN ON ASSEMBLY DRAWING	15FEB04
0S1Q-0281-04	E	CHANGED DRAWING No. FROM 999-659-2 TO C-6646444 UPDATED PART No. TO LEAD FREE 6646444-1	02SEP04

NOTES: UNLESS OTHERWISE SPECIFIED;

- PART NUMBER CHANGES AND OR DESIGN CHANGES AFFECTING ITEM INTERCHANGEABILITY REQUIRE PRIOR ELCON APPROVAL AND AUTHORIZATION BY REVISION TO THIS DRAWING.
- MATERIALS:
  - INSULATORS: THERMOPLASTIC, GLASS REINFORCED, COLOR-BLACK, UL94V-0 FLAMMABILITY RATED.
  - COMPLIANT SIGNAL SOCKETS: PHOSPHOR BRONZE ALLOY.
  - POWER CONTACTS: PHOSPHOR-BRONZE ALLOY, COPPER ALLOY.
  - CROWN BANDS: BERYLLIUM-COPPER ALLOY.
- FINISHES:
  - CONTACTS: GOLD PLATED PER TYCO SPEC 112-162-5, .00076 [.000030] MIN THICK OVER NICKEL PER TYCO SPEC 112-25-2, .00130 [.000050] MIN THICK
  - COMPLIANT TAILS: TIN PLATED PER LEAD FREE TYCO SPEC. 112-65-1, MATT-FINISH .0010 TO .0030 [.000040 TO .000120] THICKNESS.
- RECOMMENDED PRESSING TOOL PN FIX00043 FOR PART NUMBER 278-0629-10200. CONTACT ELCON FOR TOOLING QUOTE OR TO ORDER.
- ITEMS PROVIDED TO THIS SPECIFICATION TO BE PERMANENTLY IDENTIFIED PER THE FOLLOWING IDENTIFIER:



- CONNECTOR COMPRISES ONE-PIECE MOLDING AND ONE-PIECE SIGNAL CONTACT.
- THIS CONNECTOR MATES WITH PIN CONNECTORS PN 479-0629-00100 & 479-0629-00300 (CUDS 999-659-1 & 999-659-3).

8. MODULE INFORMATION

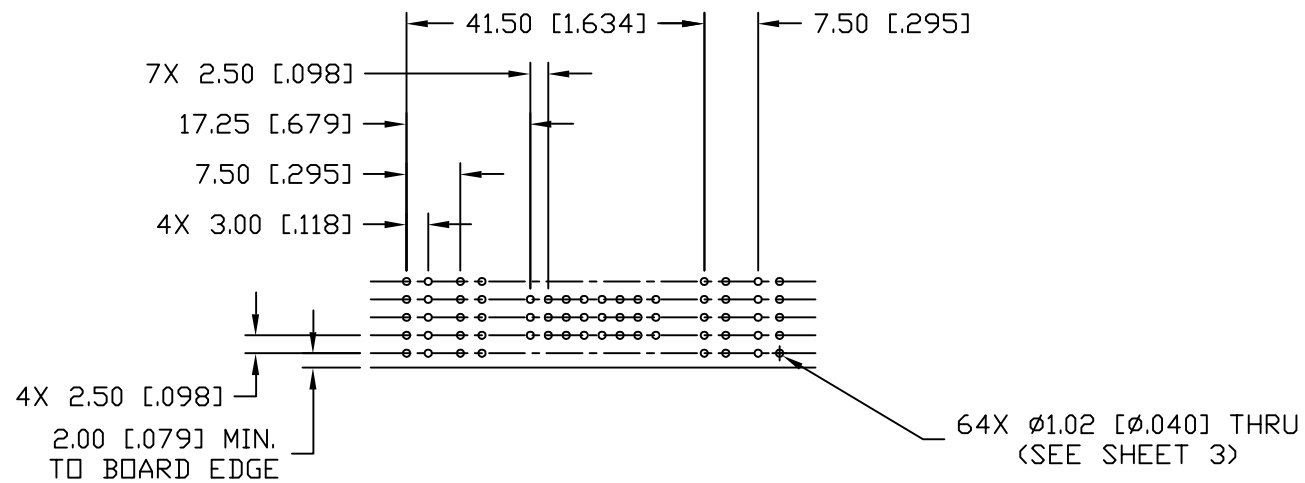
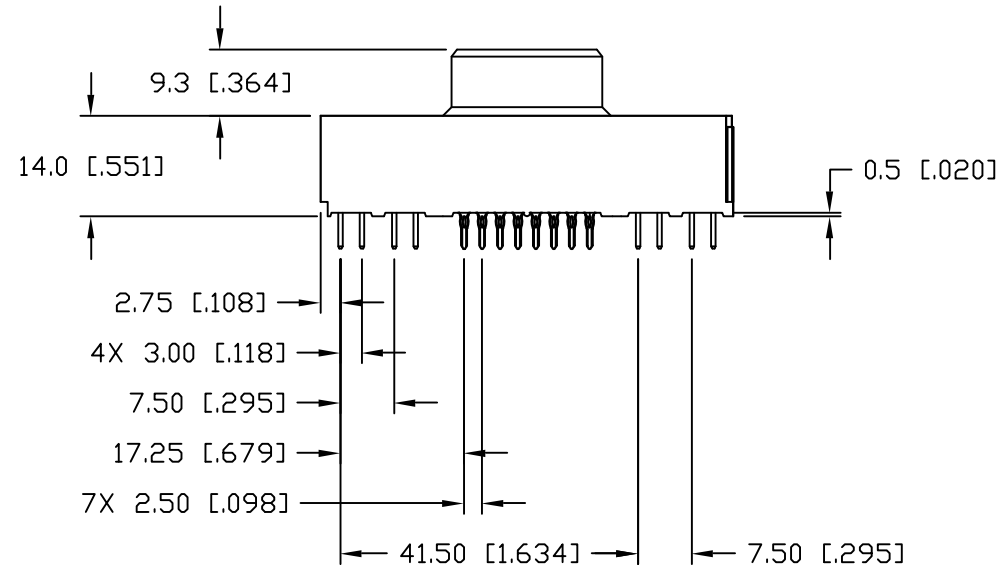
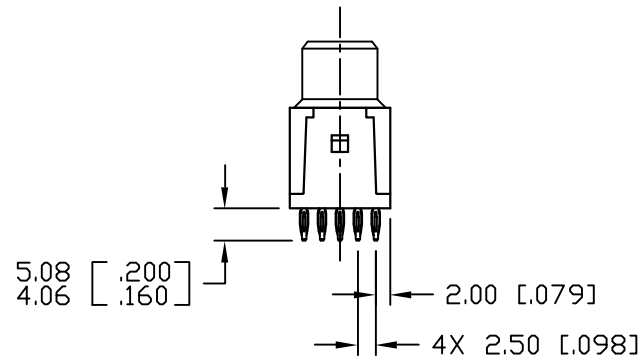
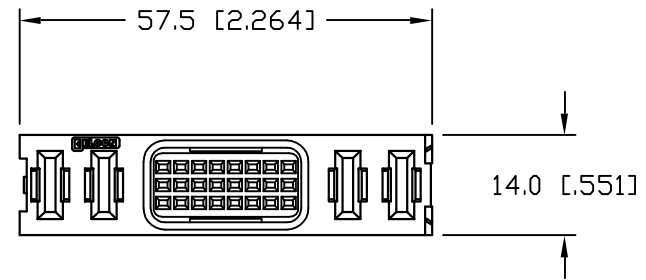
CONNECTOR	TYCO PART NUMBER	ELCON PART NUMBER	EQUIV. CATALOG MODULE #	QTY	SIZE NO.	CONTACT QTY	MATING PIN	MAX. CURRENT (PER CONTACT)	CONTACT SPACING	VOLTAGE RATING*
SOCKET	6646444-1	278-0629-10200 COMPLIANT TAIL	FP748	1	8	4	1.25 X 7.00 [.049 X .276]	35 AMPERES	7.50 [.2953]	250 VOLTS
						24	.64 [.025] SQ.	2 AMPERES	2.50 [.0984]	60 VOLTS

\*IAW IEC-950

<p>THIRD ANGLE PROJECTION</p> <p>UNLESS OTHERWISE SPECIFIED DIMENSIONS ARE IN METRIC [INCHES]</p> <p>TOLERANCES</p> <p>ANGLES ± .5°</p> <p>DECIMALS</p> <p>.XX ± .25 [.010]</p> <p>.X ± .5 [.020]</p>	<p>MM OR MM [INCH]</p> <p>INCH</p>	<p>DRAWN</p> <p>M.C.CANT</p>	<p>DATE</p> <p>25MAY99</p>	<p><b>tyco</b> Tyco Electronics Corporation <b>Electronics</b> Menlo Park, Ca 94025</p> <p><b>ELCON</b></p>
	<p>CHECKED</p>		<p>TITLE</p> <p>SOCKET CONNECTOR, FLATPAQ STRAIGHT, COMPLIANT TAILS (DEDICATED) PN: 278-0629-10200E</p>	
	<p>APPROVED</p>		<p>APPROVED</p>	
	<p>D. CHAU</p>		<p>02SEP04</p>	
<p>M. ALIM</p>		<p>03SEP04</p>		<p>SIZE DWG NUMBER</p> <p>B C = 6646444</p>
<p>ACAD FILE NUMBER</p> <p>C6646444E.DWG</p>		<p>REV.</p> <p>E</p>		<p>DWG SCALE 1=1 SH 1 OF 3</p>

This drawing involves proprietary design rights of Tyco Electronics Corporation, and all design, manufacture, reproduction, use and sale rights regarding the same are expressly reserved. It is submitted for a specific purpose and the recipient by accepting this drawing, assumes custody and control and agrees to take reasonable precautions; (a) that this drawing will not be copied and reproduced, in whole or in part, or its contents revealed in any manner, or to any person except to meet the purpose for which it was delivered and (b) that any special features peculiar to this design will not be incorporated in other projects without the expressed written permission of Tyco Electronics Corporation.

REVISIONS			
EC	REV	DESCRIPTION	DATE
		SEE SHEET 1	

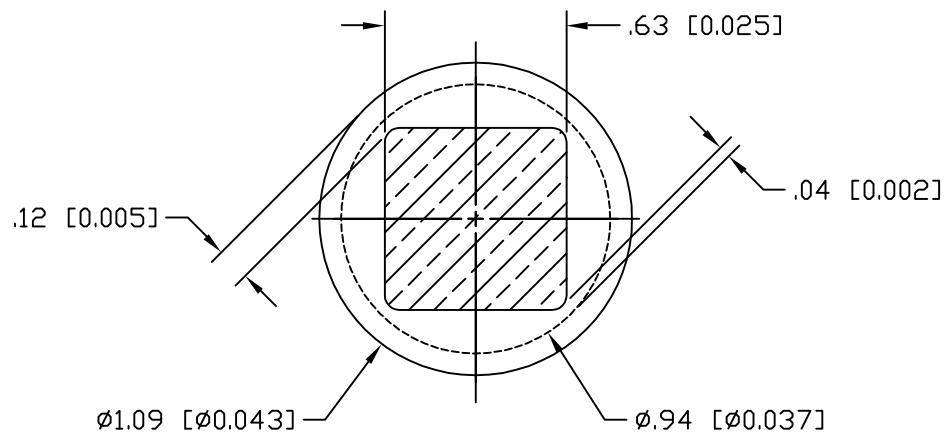
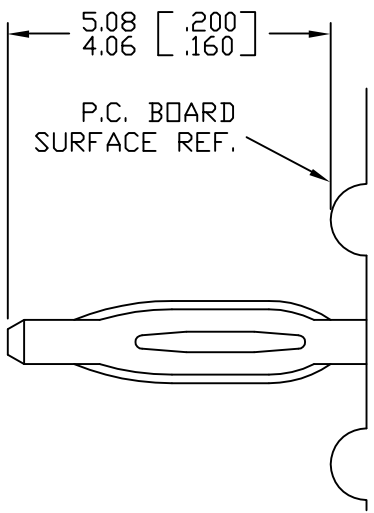


PRINTED CIRCUIT LAYOUT

← MM OR MM [INCH] INCH  THIRD ANGLE PROJECTION UNLESS OTHERWISE SPECIFIED DIMENSIONS ARE IN METRIC [INCHES] TOLERANCES ANGLES $\pm$ .5° DECIMALS .XX $\pm$ .25 [.010] .X $\pm$ .5 [.020]	DRAWN M.C.CANT CHECKED	DATE 25MAY99	 Tyco Electronics Corporation Menlo Park, Ca 94025 
	APPROVED	APPROVED D. CHAU 02SEP04	
	APPROVED M. ALIM 03SEP04	ACAD FILE NUMBER C6646444E.DWG	SIZE DWG NUMBER REV. B C = 6646444 E
			DWG SCALE 1=1 SH 2 OF 3

This drawing involves proprietary design rights of Tyco Electronics Corporation, and all design, manufacture, reproduction, use and sale rights regarding the same are expressly reserved. It is submitted for a specific purpose and the recipient by accepting this drawing, assumes custody and control and agrees to take reasonable precautions; (a) that this drawing will not be copied and reproduced, in whole or in part, or its contents revealed in any manner, or to any person except to meet the purpose for which it was delivered and (b) that any special features peculiar to this design will not be incorporated in other projects without the expressed written permission of Tyco Electronics Corporation.

REVISIONS			
EC	REV	DESCRIPTION	DATE
		SEE SHEET 1	

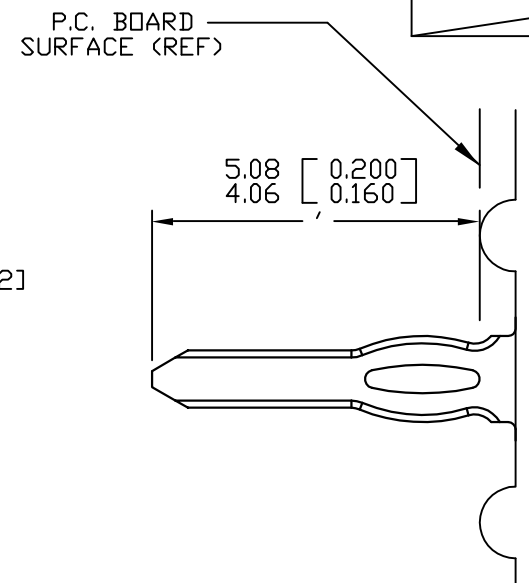


POWER COMPLIANT TAIL TERMINATION AREA

SCALE: 40 : 1

RECOMMENDED PRINTED CIRCUIT HOLE SOLDER OR COMPLIANT PRESS FIT

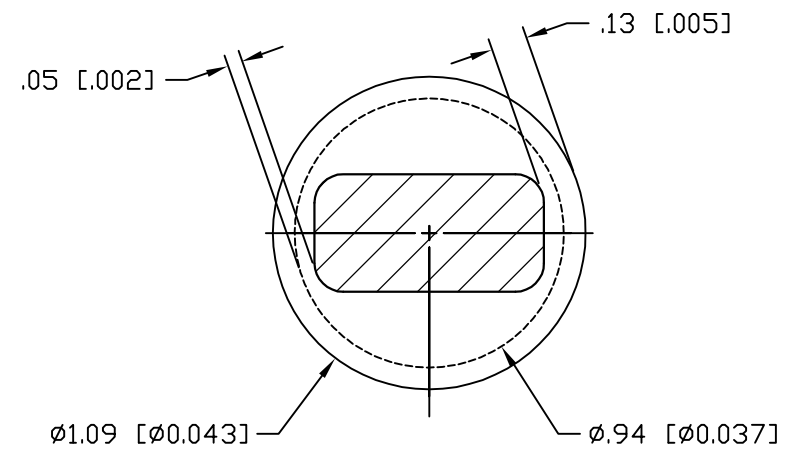
FINISHED HOLE:  $\phi 1.02 [0.40] \pm 0.08 [0.003]$   
 DRILLED HOLE:  $\phi 1.15 [0.453] \pm 0.13 [0.005]$   
 COPPER PLATE: .025 [0.010] MINIMUM (PER SURFACE)  
 TIN PLATE: .008 [0.003] MINIMUM (PER SURFACE)



SIGNAL COMPLIANT TAIL DETAIL

SCALE: 10 : 1

INSERTION/EXTRACTION FORCES  
 MAXIMUM PUSH IN: 133.3N PER PIN [30 LBS]  
 MINIMUM PUSH OUT: 44.4N PER PIN [10 LBS]

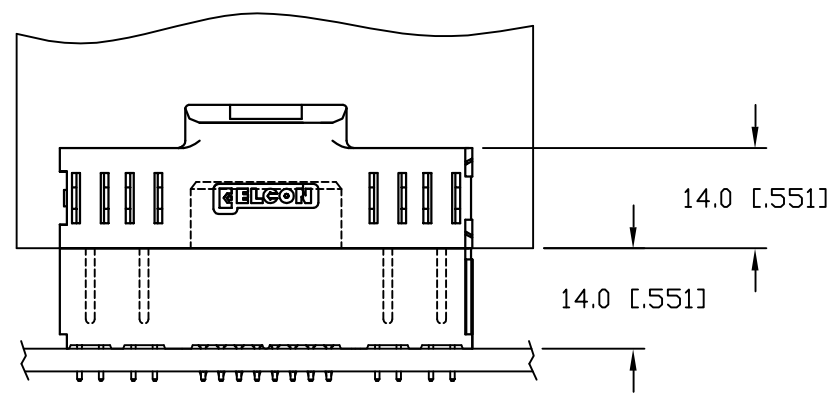
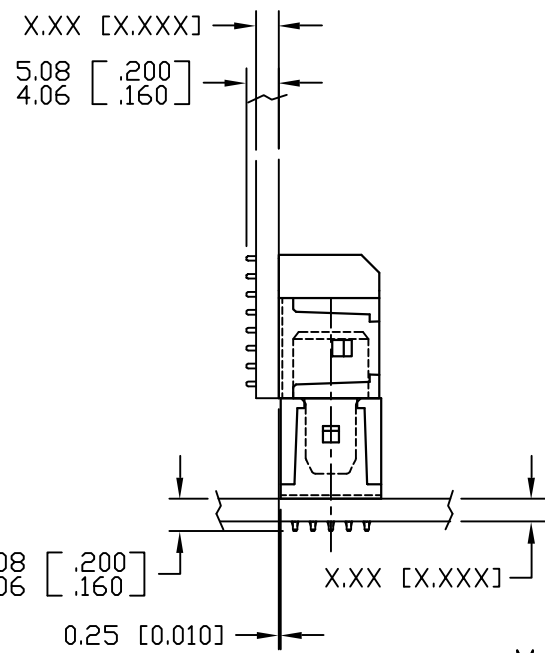


SIGNAL COMPLIANT TAIL TERMINATION AREA

SCALE: 40 : 1

RECOMMENDED PRINTED CIRCUIT HOLE SOLDER OR COMPLIANT PRESS FIT  
 FINISHED HOLE:  $\phi 1.02 [0.40] \pm 0.08 [0.003]$   
 DRILLED HOLE:  $\phi 1.15 [0.453] \pm 0.13 [0.005]$   
 COPPER PLATE: .025 [0.010] MINIMUM (PER SURFACE)  
 TIN PLATE: .008 [0.003] MINIMUM (PER SURFACE)

POWER COMPLIANT TAIL DETAIL  
 SCALE: 10 : 1  
 INSERTION/EXTRACTION FORCES  
 MAXIMUM PUSH IN: 133.3N PER PIN [30 LBS]  
 MINIMUM PUSH OUT: 44.4N PER PIN [10 LBS]



MATED CONDITION

278-0629-10200 WITH 479-0629-00100 OR 479-0629-00300

UNLESS OTHERWISE SPECIFIED DIMENSIONS ARE IN METRIC [INCHES]  TOLERANCES ANGLES $\pm .5^\circ$  DECIMALS .XX $\pm .25 [0.010]$ .X $\pm .5 [0.020]$	DRAWN M.C.CANT CHECKED	DATE 25MAY99	Tyco Electronics Corporation Menlo Park, Ca 94025	
	APPROVED APPROVED D. CHAU DCA APPROVED M. ALIM	DATE 02SEP04 03SEP04		TITLE USER INFORMATION COMPLIANT TAIL TERMINATION AND MATED CONDITION
	ACAD FILE NUMBER C6646444E.DWG	SIZE B	DWG NUMBER C = 6646444	REV. E
	DWG SCALE 1=1		SH 3 OF 3	

单击下面可查看定价，库存，交付和生命周期等信息

[>>TE Connectivity\(泰科\)](#)