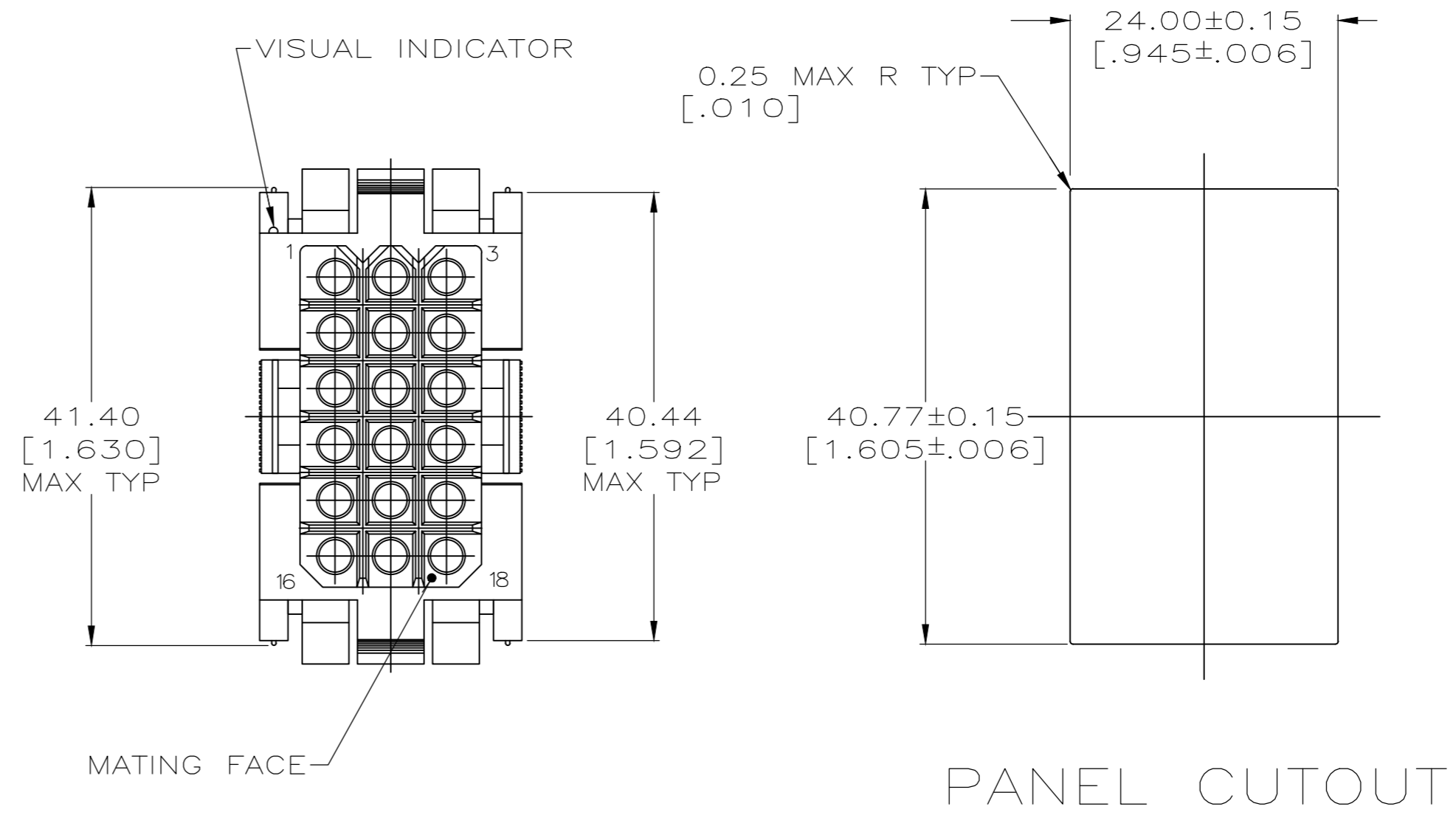
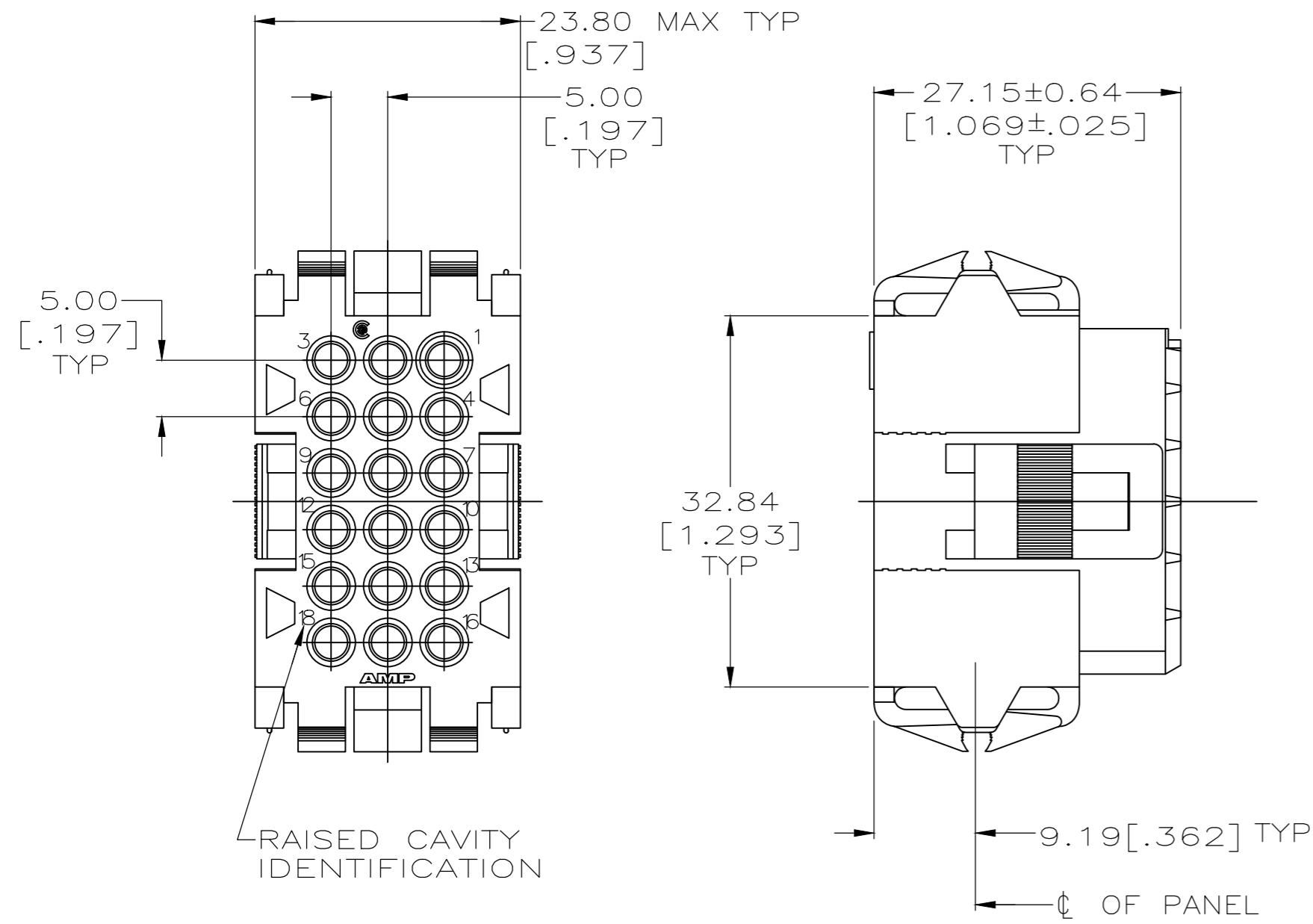


THIS DRAWING IS UNPUBLISHED. RELEASED FOR PUBLICATION
 © COPYRIGHT - TE Connectivity Ltd. ALL RIGHTS RESERVED.

REVISIONS					
P	LTR	DESCRIPTION	DATE	DWN	APVD
F		REV PER EC 0020-250-94	03/24/94	-	AT
G		REVISED PER ECO-20-002227	20FEB2020	RK	MZ



1. PANEL RETENTION MECHANISM ACCOMMODATES PANEL THICKNESSES FROM 0.76[.030] TO 2.29[.090].

2 HOUSING MATERIAL: PA66, BLACK, UL 94 V-0 RATED.

207442-1
PART NUMBER

THIS DRAWING IS A CONTROLLED DOCUMENT.		DWN W.LENKER 08/26/92	TE Connectivity		
DIMENSIONS: mm [INCHES]		CHK R.STONE 8-31-92			
TOLERANCES UNLESS OTHERWISE SPECIFIED:		APVD A.TRAVIS 9-2-92	NAME HOUSING, PLUG, 18 POSITION, METRIMATE		
0 PLC ± -		PRODUCT SPEC 108-10033	SIZE A2	CAGE CODE 00779	DRAWING NO C=207442
1 PLC ± -		APPLICATION SPEC	RESTRICTED TO		
2 PLC ± 0.25 [.010]			-		
3 PLC ± -			SCALE 2:1 SHEET 1 OF 1 REV G		
4 PLC ± -					
ANGLES ± -					
FINISH					
MATERIAL					
2					
CUSTOMER DRAWING					

单击下面可查看定价，库存，交付和生命周期等信息

[>>TE Connectivity\(泰科\)](#)