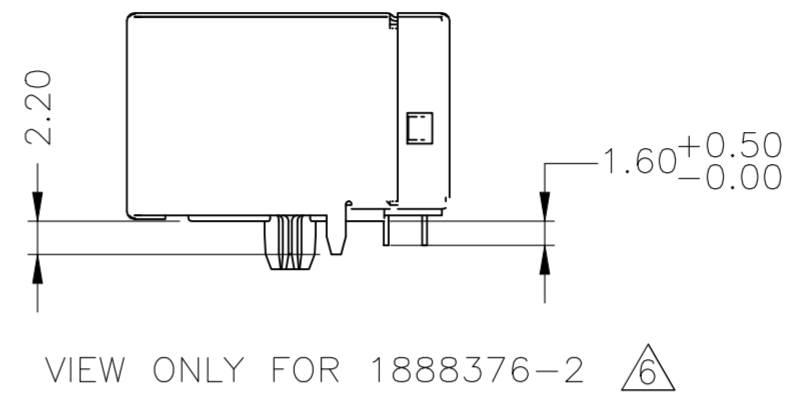
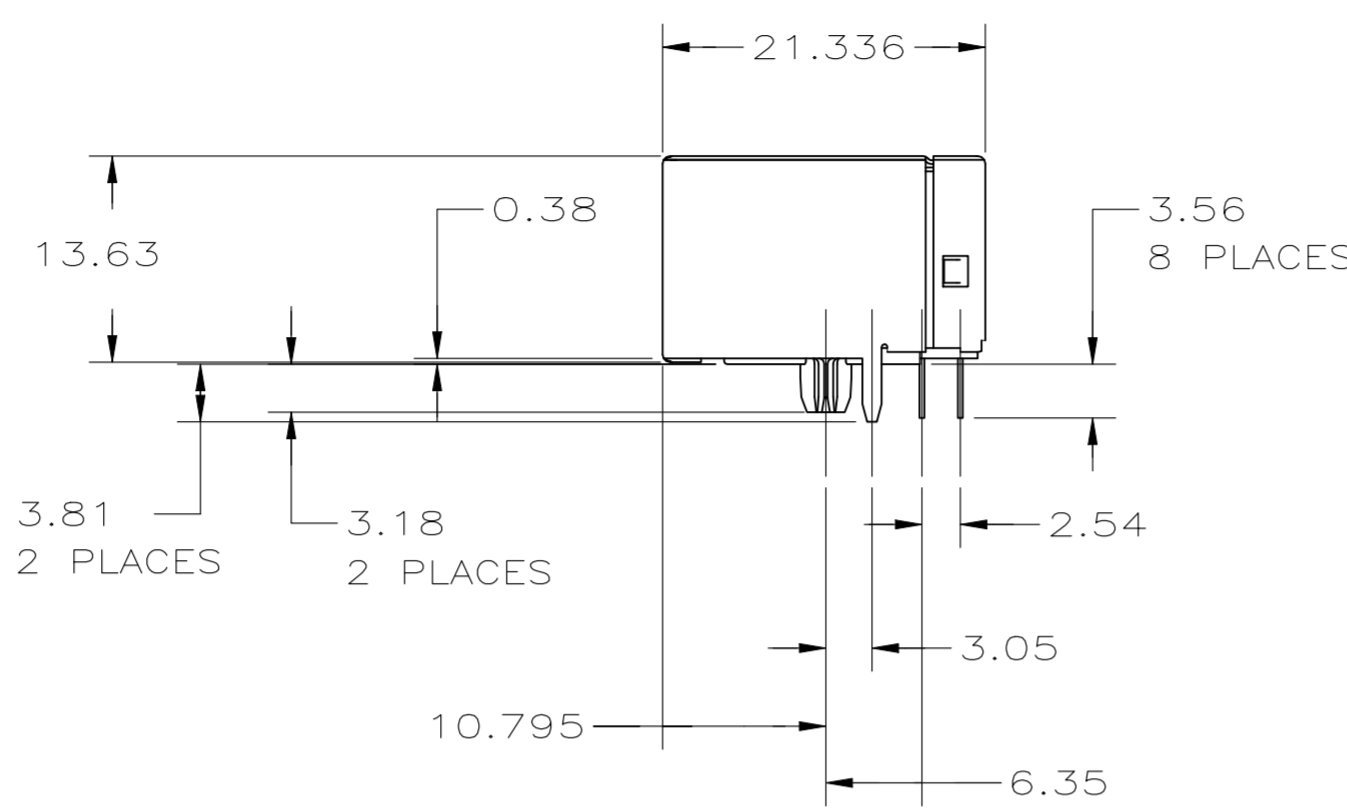
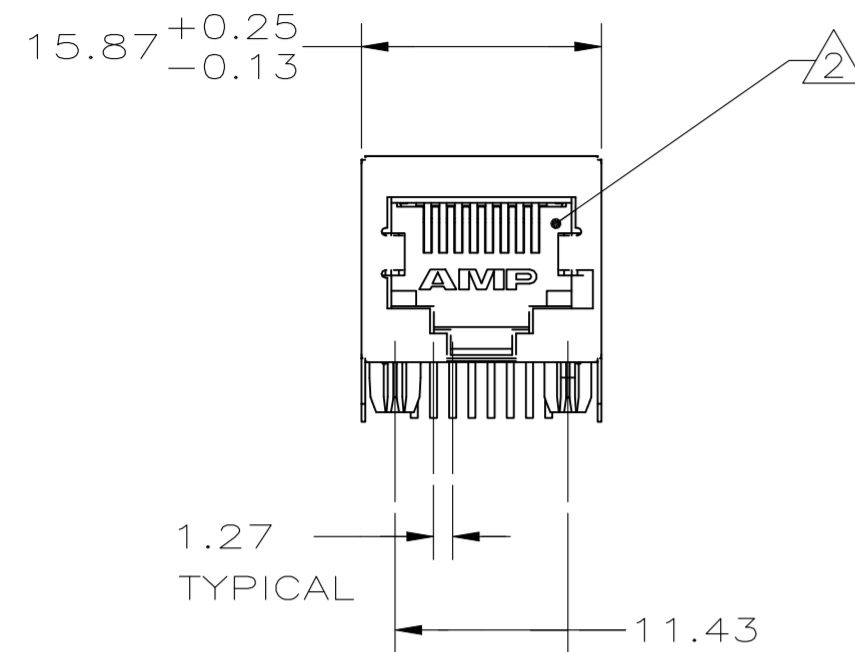
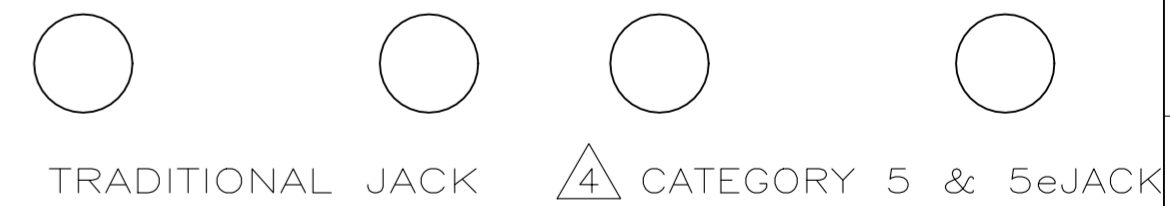
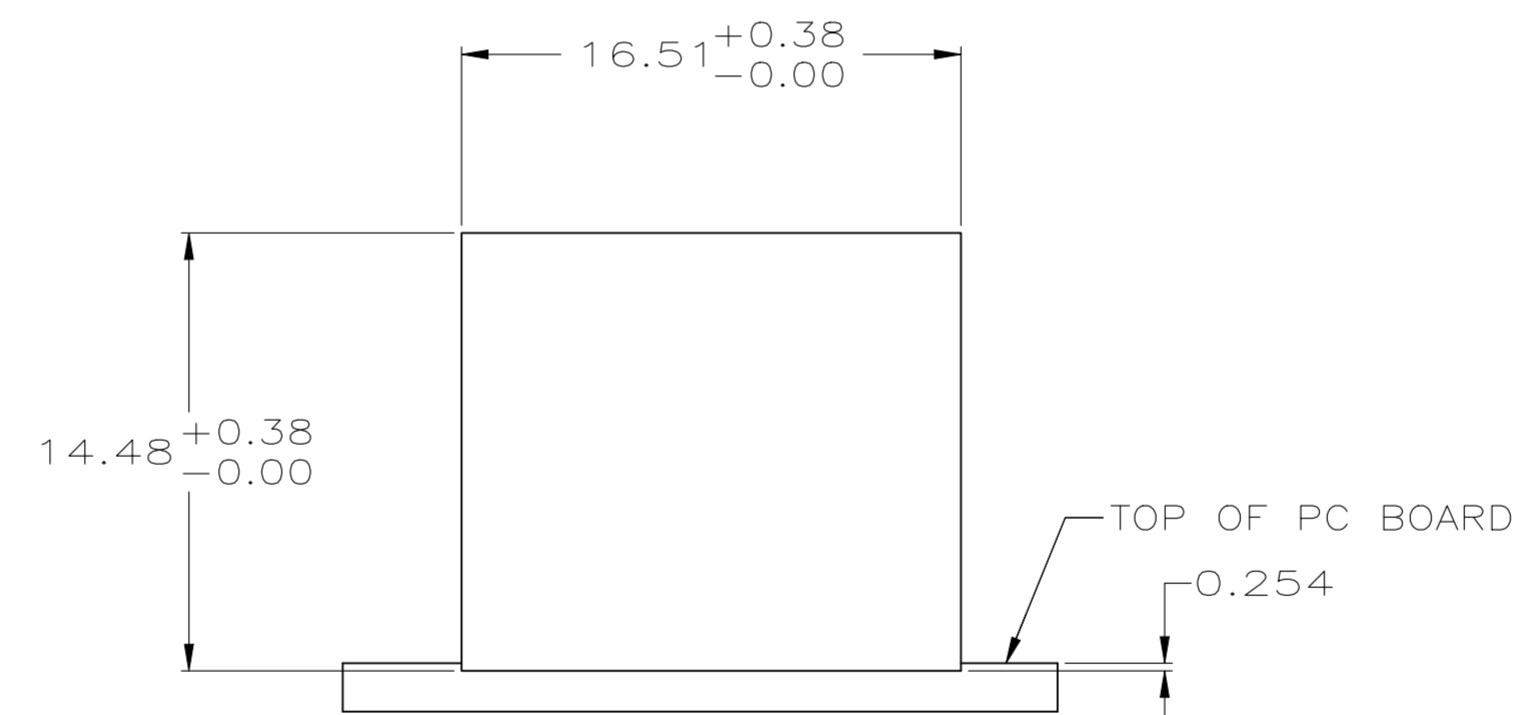
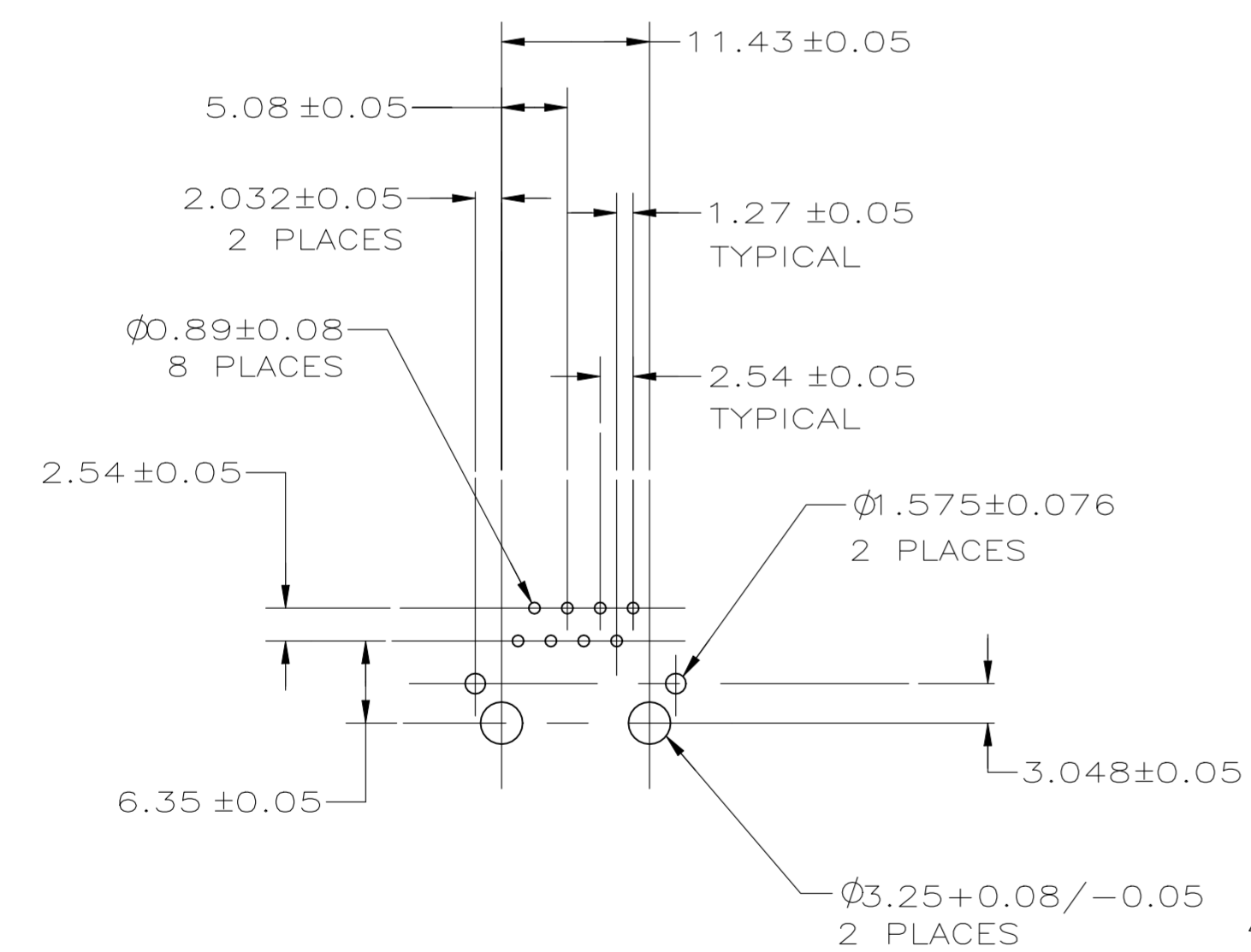


| REVISIONS |               |             |           |     |      |
|-----------|---------------|-------------|-----------|-----|------|
| P         | LTR           | DESCRIPTION | DATE      | DWN | APVD |
| C1        | ECR-19-014657 |             | 13DEC2020 | RR  | SZ   |



- ⚠ MATERIAL: HOUSING HIGH TEMPERATURE NYLON, TERMINALS - 0.33[.013] THICK PHOS BRONZE PLATED WITH 1.27μm[.000050] MINIMUM THICK HARD GOLD IN LOCALIZED AREA AND 3.81μm [.000150] MINIMUM THICK MATTE TIN IN SOLDER AREA OVER 1.27μm[.000050] MINIMUM THICK NICKEL UNDERPLATE.  
SHIELDS - 0.254[.010] THICK COPPER ALLOY PLATED WITH 1.27 μm [.000050] MINIMUM SATIN NICKEL WITH 2.03 μm [.000080] MINIMUM HOT TIN DIP ON PCB GROUND TABS
- ⚠ JACK CAVITY CONFORMS TO FCC RULES AND REGULATIONS, PART 68 SUBPART F.
- 3. ALL DIMENSIONS SHOWN ARE NOMINAL UNLESS OTHERWISE SPECIFIED.
- ⚠ CAUTION: CATEGORY 5 JACK SOLDER TAIL POSITIONS DO NOT FOLLOW SAME NUMBER SEQUENCE AS THAT OF TRADITIONAL JACKS.
- ⚠ USE #30 DRILL BIT OR 3.25mm DRILL BIT WHEN PRODUCING THESE PCB HOLES.
- ⚠ SHORT PIN TYPE, ONLY FOR 1888376-2
- ⚠ MATERIAL: LCP, BLACK, UL94V-0. LEAD FREE IR REFLOW PROCESS COMPATIBLE.  
TERMINALS - 0.33[.013] THICK PHOS BRONZE PLATED WITH 1.27μm[.000050] MINIMUM THICK HARD GOLD IN LOCALIZED AREA AND 3.81μm [.000150] MINIMUM THICK MATTE TIN IN SOLDER AREA OVER 1.27μm[.000050] MINIMUM THICK NICKEL UNDERPLATE.  
SHIELDS - 0.254[.010] THICK COPPER ALLOY PLATED WITH 1.27 μm [.000050] MINIMUM SATIN NICKEL WITH 2.03 μm [.000080] MINIMUM HOT TIN DIP ON PCB GROUND TABS



SUGGESTED PC BOARD LAYOUT COMPONENT SIDE

SUGGESTED PANEL CUTOUT SCALE 4:1

|          |           |             |
|----------|-----------|-------------|
| ⚠        | TAPE&REEL | ⚠ 1888376-2 |
| ⚠        | TRAY      | 1888376-1   |
| MATERIAL | PACKAGE   | PART NUMBER |

|  |  |   |                  |           |
|--|--|---|------------------|-----------|
| THIS DRAWING IS A CONTROLLED DOCUMENT. |  | DWN<br>T. PITTS/L.A.MAYER<br>01JUNE2005 | TE Connectivity  |           |
| DIMENSIONS: mm                         |  | CHK<br>J.WESTMAN<br>01JUNE2005          | NAME             |           |
| TOLERANCES UNLESS OTHERWISE SPECIFIED: |  | APVD<br>S.FLICKINGER<br>01JUNE2005      | PRODUCT SPEC     |           |
| 0 PLC ± -                              |  | 108-1163                                | APPLICATION SPEC |           |
| 1 PLC ± -                              |  | 114-2048                                | SIZE             | CAGE CODE |
| 2 PLC ± 0.254[.01]                     |  | WEIGHT                                  | A2               | 00779     |
| 3 PLC ± 0.127[.005]                    |  | CUSTOMER DRAWING                        | DRAWING NO       |           |
| 4 PLC ± -                              |  | SCALE                                   | C=1888376        |           |
| ANGLES ± -                             |  | SHEET                                   | 1 OF 1           |           |
| FINISH                                 |  | REV                                     | C1               |           |
| SEE NOTE 1 & 8                         |  |   |                  |           |

单击下面可查看定价，库存，交付和生命周期等信息

[>>TE Connectivity\(泰科\)](#)