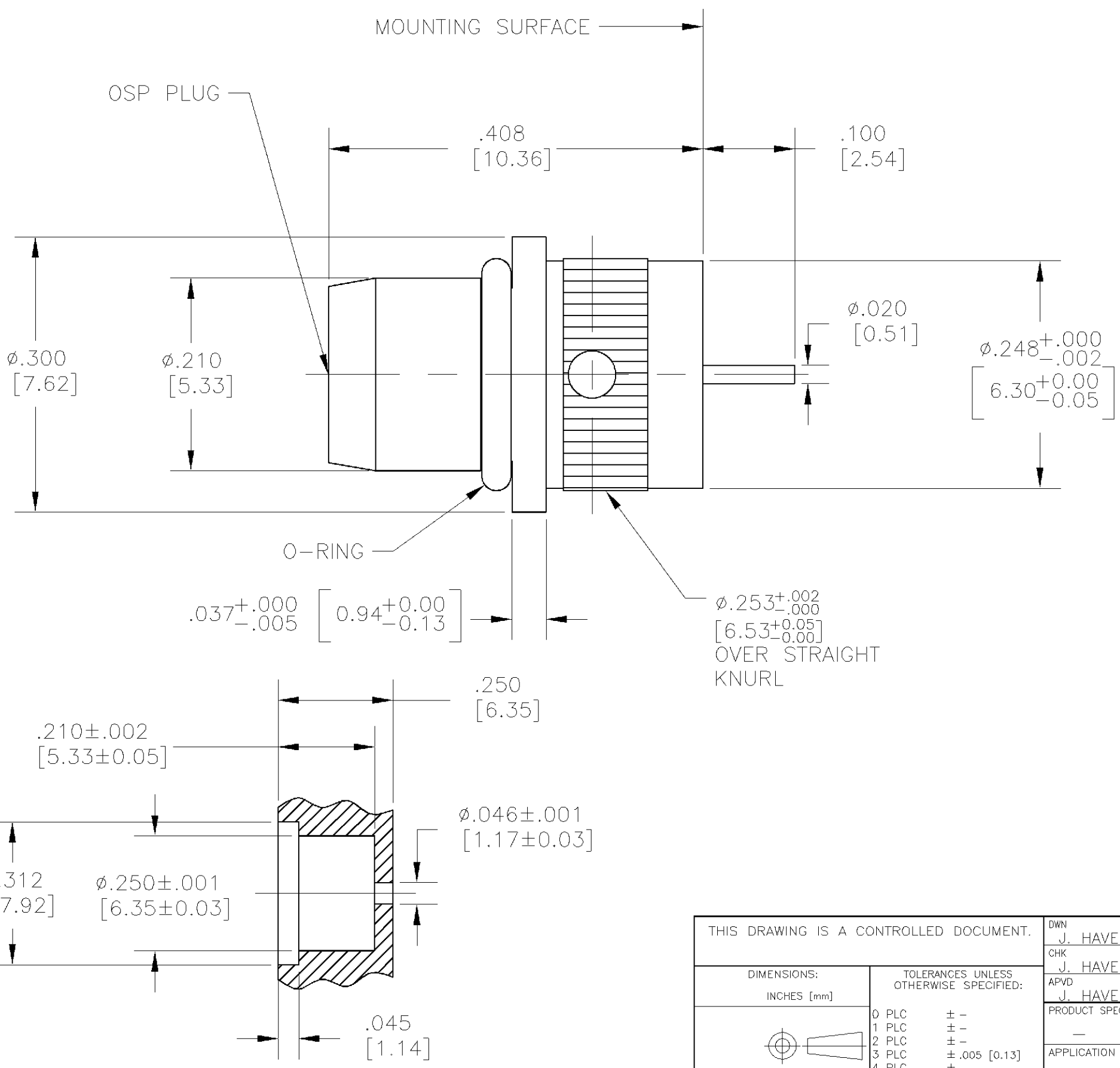


THIS DRAWING IS UNPUBLISHED. RELEASED FOR PUBLICATION
 © COPYRIGHT BY TYCO ELECTRONICS CORPORATION. ALL RIGHTS RESERVED.

LOC	DIST	REVISIONS					
AJ	16	P	LTR	DESCRIPTION	DATE	DWN	APVD
			C	REVISED PER 0U20-0263-01.	03MAY02	JGH	JGH



1. CAPTURED CENTER CONTACT.
2. MATERIALS:
 HOUSING: STAINLESS STEEL PER ASTM-A-582, TYPE 303
 DIELECTRIC: PTFE PER ASTM-D-1457
 CENTER CONTACT: BRASS PER ASTM-B-16
 O-RING: FLOUROSILICONE PER MIL-R-25988, CLASS I, TYPE I
3. FINISHES:
 HOUSING: PASSIVATED PER QQ-P-35
 DIELECTRIC: N/A
 CENTER CONTACT: GOLD PLATE PER MIL-G-45204 OVER COPPER PLATE PER MIL-C-14550
 O-RING: N/A
4. INSTRUCTION SHEET: 408-4600.

1059651-1
 PART NUMBER

THIS DRAWING IS A CONTROLLED DOCUMENT.		DWN J. HAVENER 03MAY2002	tyco Tyco Electronics Corporation Harrisburg, PA 17105-3608	
DIMENSIONS: INCHES [mm]		CHK J. HAVENER 03MAY02	NAME OSP PANEL FEEDTHRU PLUG RECEPTACLE DIA .020 STRAIGHT TERMINAL	
TOLERANCES UNLESS OTHERWISE SPECIFIED:		APVD J. HAVENER 03MAY02	PRODUCT SPEC -	
0 PLC ± -		APPLICATION SPEC -		
1 PLC ± -		SIZE A3		
2 PLC ± -		CAGE CODE 00779		
3 PLC ± .005 [0.13]		DRAWING NO C-1059651-1		
4 PLC ± -		RESTRICTED TO -		
ANGLES ± -		SCALE 8:1		
FINISH -		SHEET 1 OF 1		
MATERIAL -		REV C		
		CUSTOMER DRAWING		

单击下面可查看定价，库存，交付和生命周期等信息

[>>TE Connectivity\(泰科\)](#)