

THIS DRAWING IS UNPUBLISHED. RELEASED FOR PUBLICATION
 © COPYRIGHT 19 BY AMP INCORPORATED. ALL RIGHTS RESERVED.

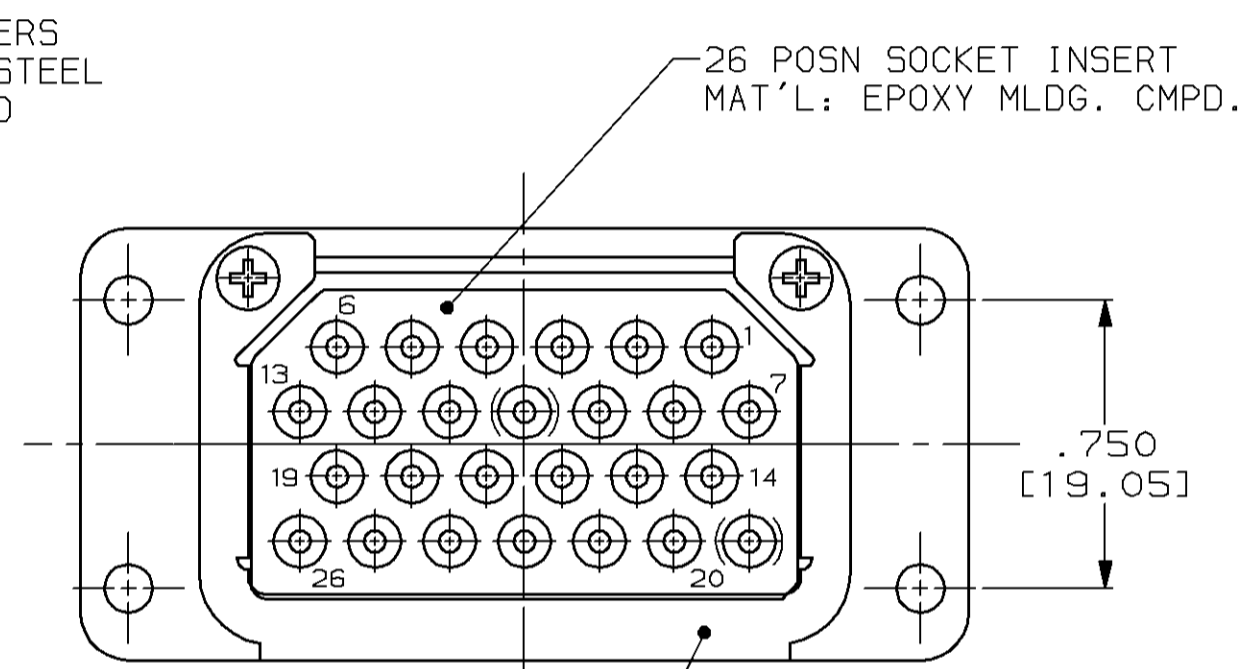
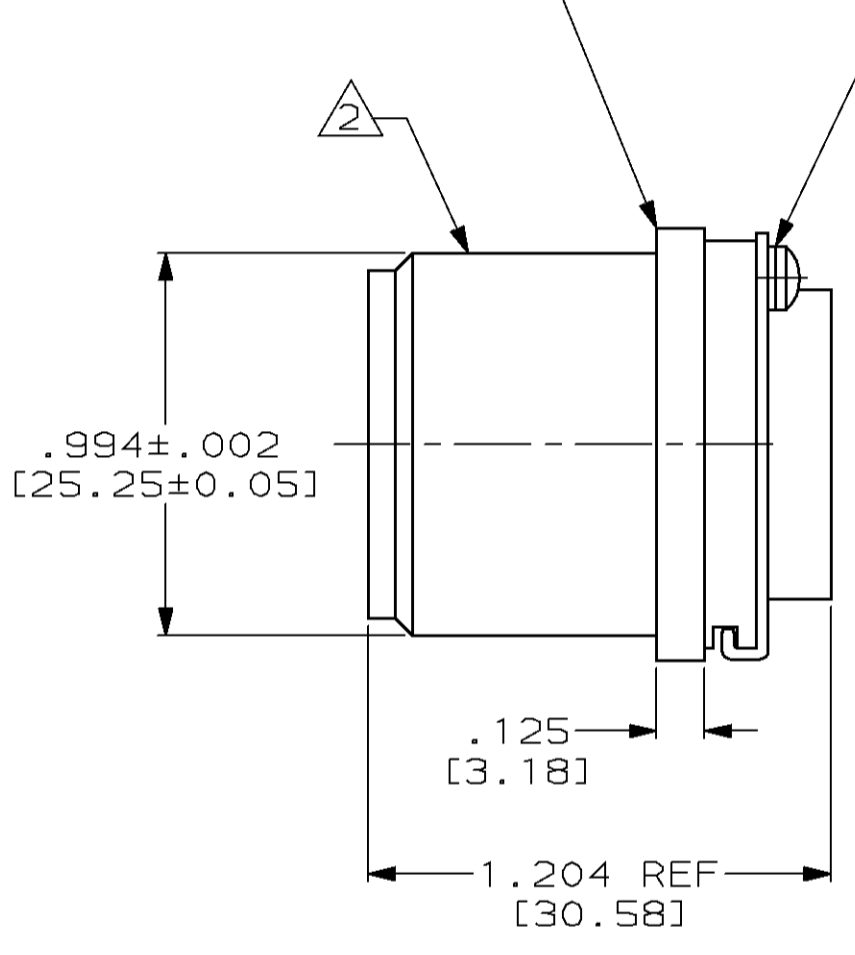
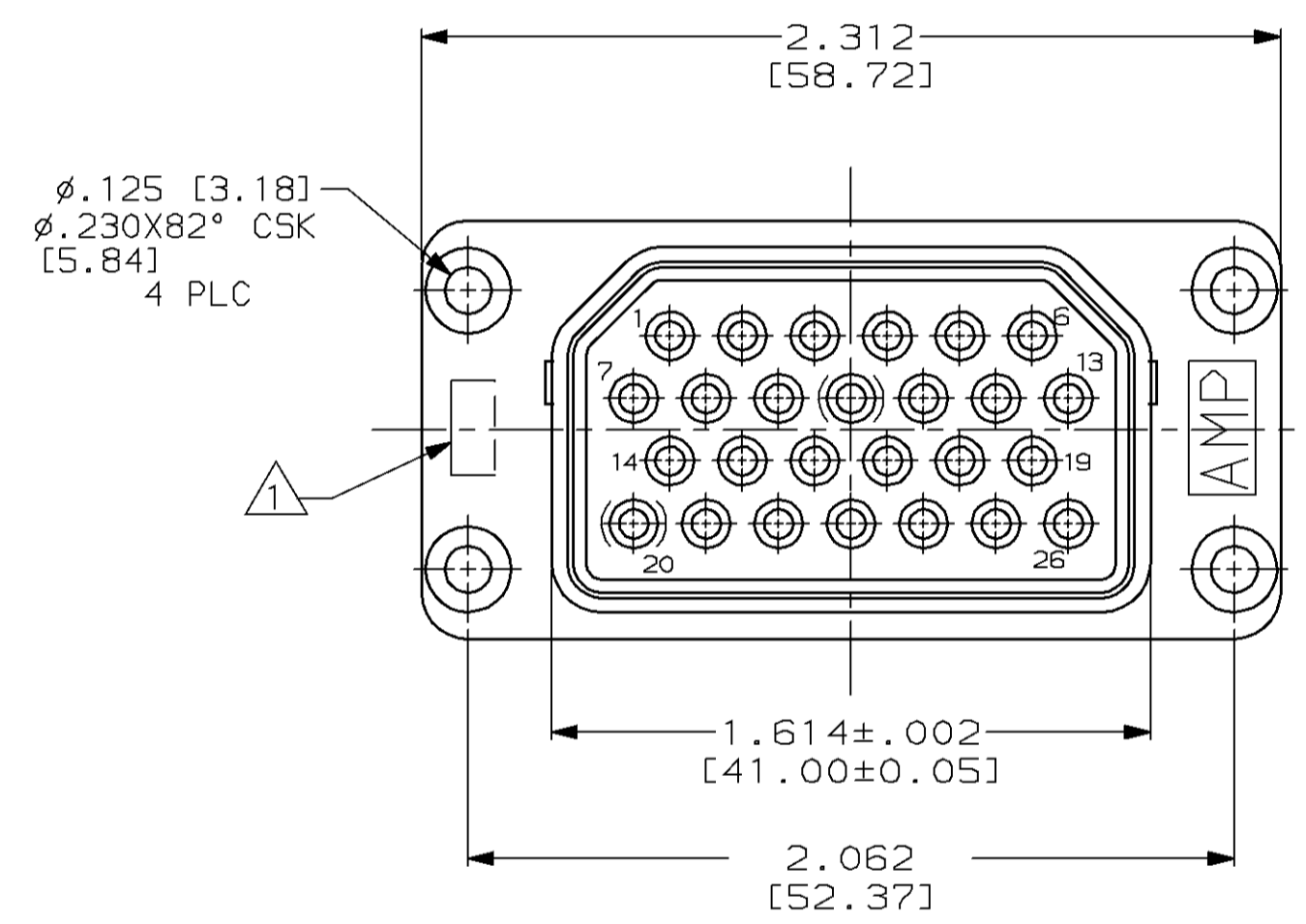
LOC		DIST		REVISIONS			
P	LTR	DESCRIPTION	DATE	DWN	APVD		
		0		RELEASED PER 0600-7374-98	7-98	CT	DB

PLUG SHELL
 MAT'L: ALUMINUM ALLOY
 FINISH: CADMIUM PLATED; YELLOW CHROMATE

SCREWS & LOCKWASHERS
 MAT'L: STAINLESS STEEL
 FINISH: PASSIVATED

26 POSN SOCKET INSERT
 MAT'L: EPOXY MLDG. CMPD.

RETENTION PLATE
 MAT'L: STAINLESS STEEL
 FINISH: PASSIVATED



- 1 DATE CODE MARKED IN THIS AREA.
- 2 AMP PART NUMBER MARKED ON THIS SURFACE.
- 3. THIS CONNECTOR IS SHIPPED WITHOUT CONTACTS.

1218201-1
 PART NO.

THIS DRAWING IS A CONTROLLED DOCUMENT.		DWN C.C.THOMAS 7-30-98	AMP Incorporated Harrisburg, PA 17105-3608	
DIMENSIONS: INCHES [mm]		CHK R.GROSS 7-30-98	NAME PLUG ASSY, ARINC 404, RMA1P265-00 (201)	
TOLERANCES UNLESS OTHERWISE SPECIFIED:		APVD R.GROSS 7-30-98	SIZE A2	CAGE CODE 00779
0 PLC ±- 1 PLC ±- 2 PLC ±- 3 PLC ±.005 [0.13] 4 PLC ±- ANGLES ±-		PRODUCT SPEC -	DRAWING NO 1218201	RESTRICTED TO -
MATERIAL SEE CALLOUTS		FINISH SEE CALLOUTS	WEIGHT -	SCALE 2:1
		CUSTOMER DRAWING	SHEET 1 OF 1	REV 0

单击下面可查看定价，库存，交付和生命周期等信息

[>>TE Connectivity\(泰科\)](#)