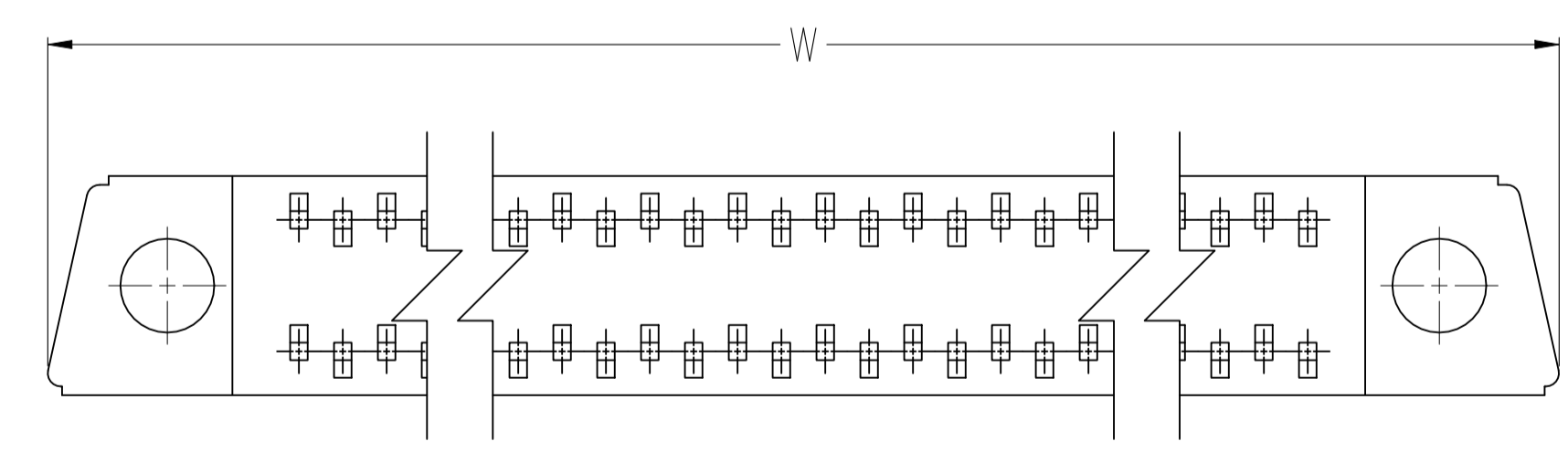
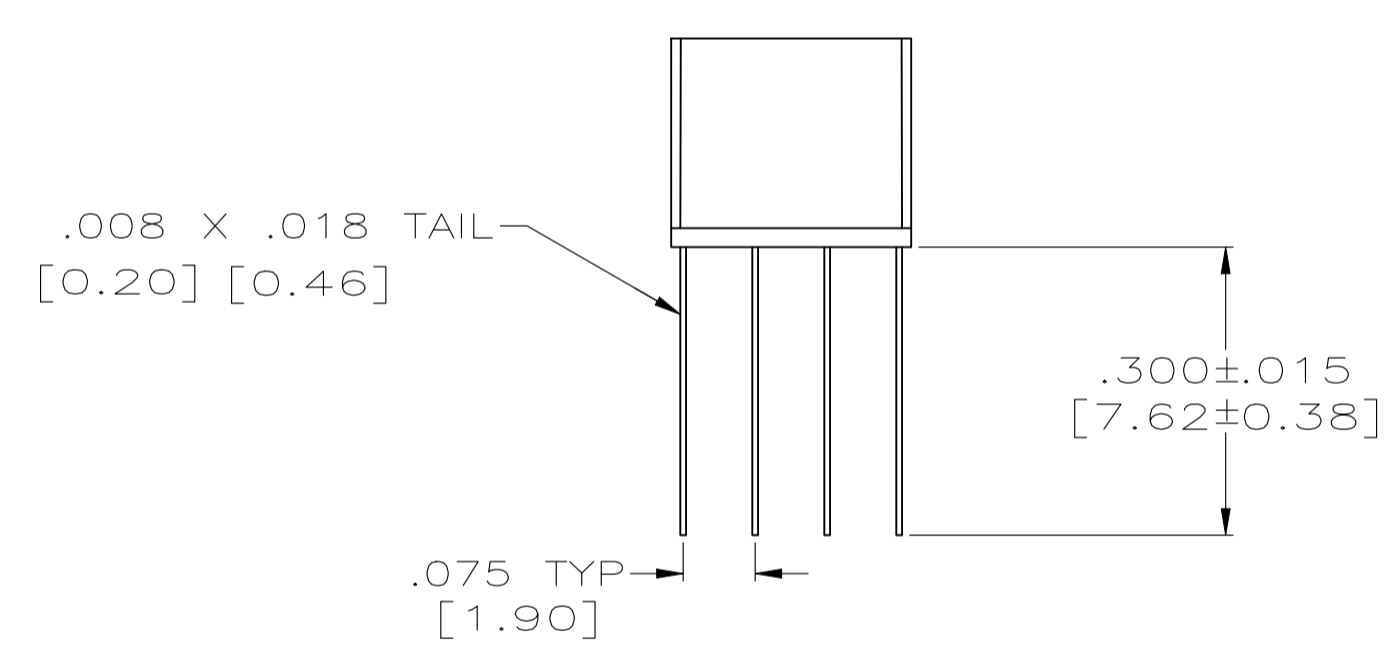
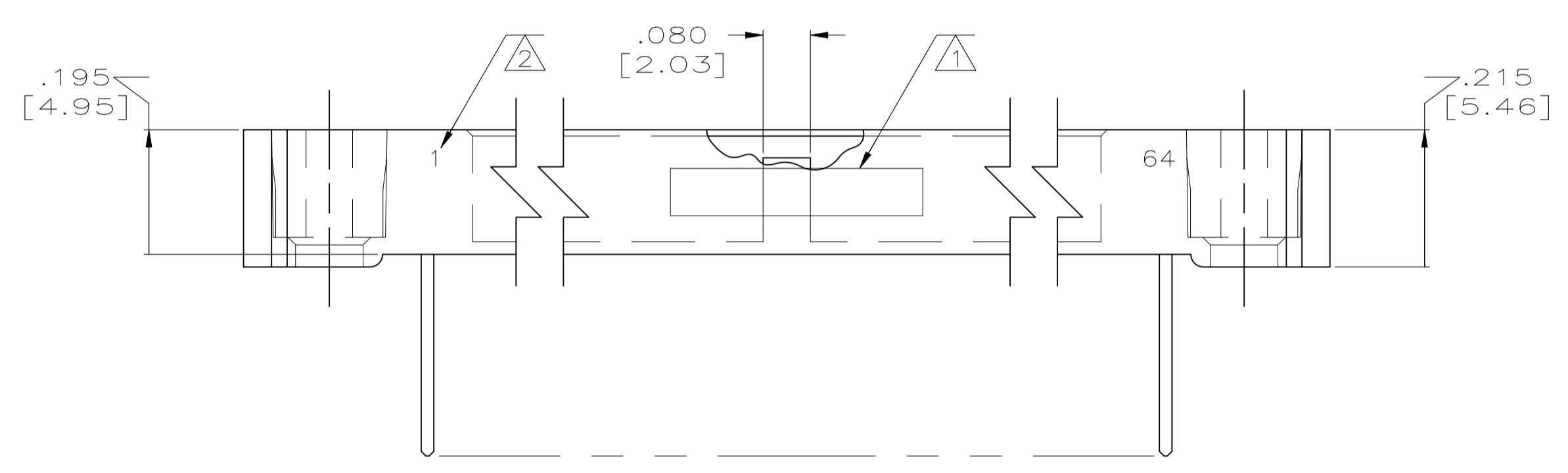
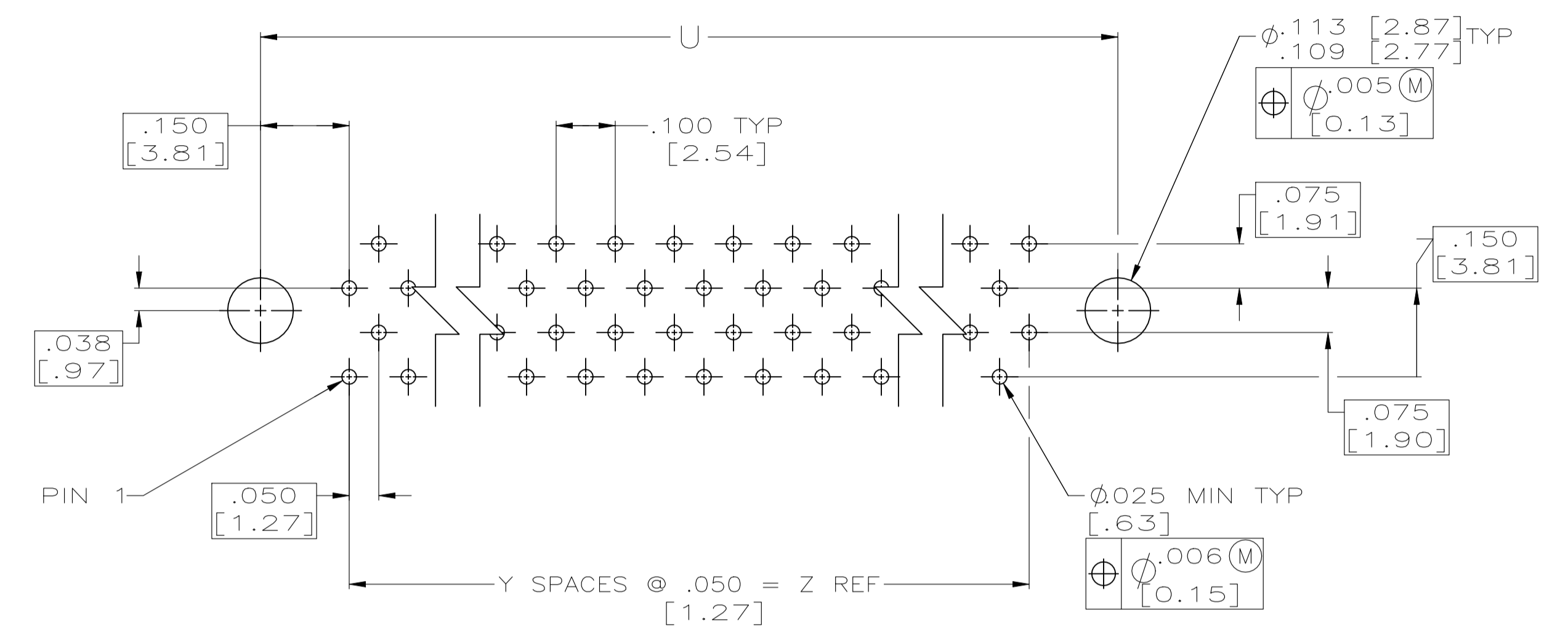
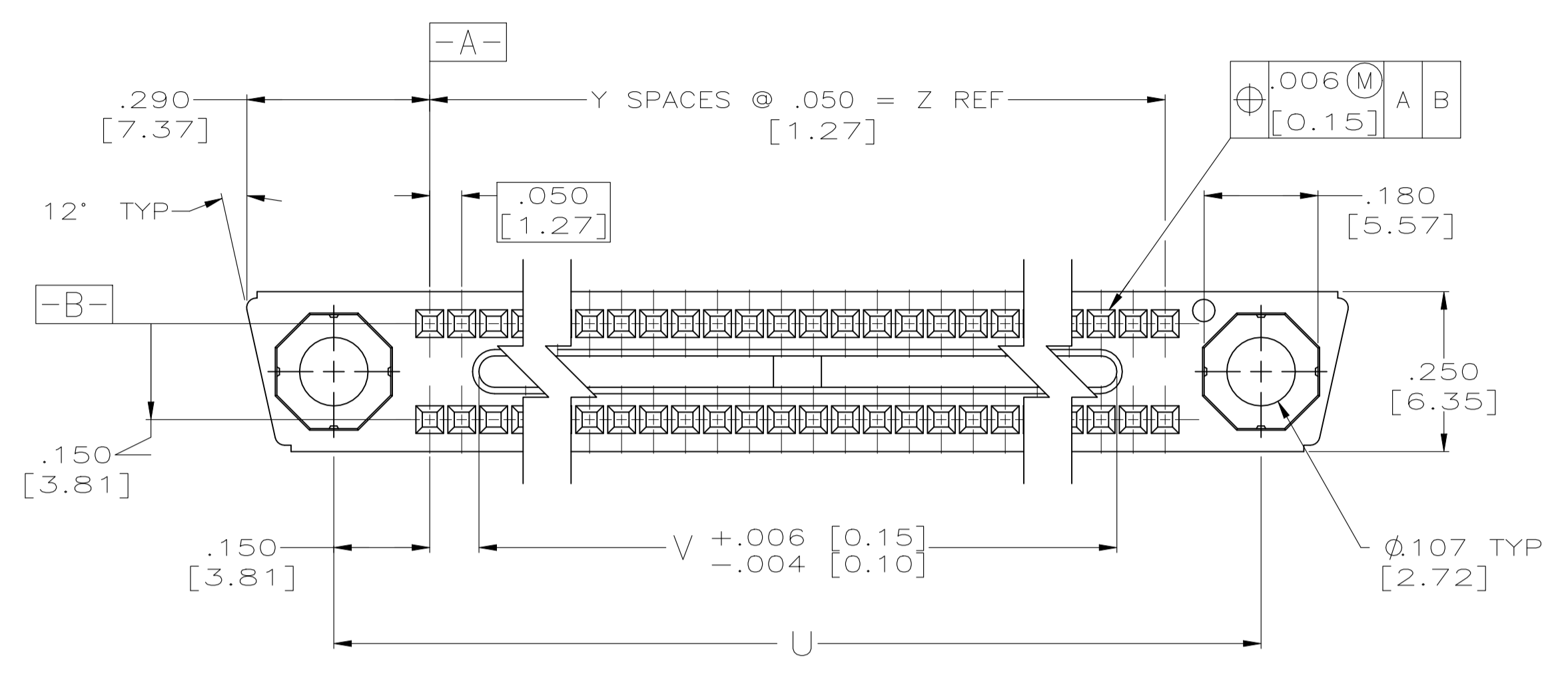


REVISIONS					
P	LTR	DESCRIPTION	DATE	DWN	APVD
J		REVISED PER ECO-20-017084	09FEB2021	LN	CT



- △ AMP, PART NUMBER, CUSTOMER PART NUMBER & DATE CODE MARKED THIS APPROXIMATE AREA.
- △ NUMBERS INDICATING END POSITIONS MARKED THIS SIDE ONLY.
- 3. MEETS ALL APPLICABLE REQUIREMENTS OF MIL-C-55302.
- △ .000050 GOLD OVER NICKEL UNDERPLATE IN CONTACT AREA, TIN-LEAD OVER NICKEL ON CONTACT TAILS.
- △ HOUSING MATERIAL: LIQUID CRYSTAL POLYMER PER MIL-M-24519, GLCP-30F; COLOR: GRAY.
- 6. PART NUMBERS 530746-2 TO 530746-6 ARE OBSOLETE.
- △ CONTACT FINISH FOR -1 ONLY: 50 MICROINCHES MIN GOLD MINIMUM IN CONTACT MATING AREA  
100 MICROINCHES MIN TIN-LEAD ON CONTACT TAILS  
OVER 30 MICROINCHES MIN NICKEL ENTIRE CONTACT.

△	1 - 64	3.150 [80.01]	63	3.740 [95.00]	3.000 [76.20]	3.450 [87.63]	128	530746-1	
HOUSING MATERIAL	CONTACT IDENT NUMBERS	Z	Y	W	V	U	NUMBER OF CONTACTS	PART NUMBER	
THIS DRAWING IS A CONTROLLED DOCUMENT.		DIN T. ALEXANDER 11-20-91		CHK D. GUTTER 1-3-92		APVD D. GUTTER 1-3-92		NAME RECEPTACLE HOUSING ASSEMBLY MINI-BOX	
DIMENSIONS: INCHES		TOLERANCES UNLESS OTHERWISE SPECIFIED:		PRODUCT SPEC		APPLICATION SPEC		RESTRICTED TO	
0. PLC ± - 1. PLC ± - 2. PLC ± - 3. PLC ± .005 [0.13] 4. PLC ANGLES ± ± 0°30'		FINISH △ 5 △ 4 △ 7		SIZE A1		CAGE CODE 00779		DRAWING NO. 530746	
MATERIAL △ 5		FINISH △ 4 △ 7		WEIGHT		CUSTOMER DRAWING		SCALE 5:1 SHEET 1 of 1 REV J	

单击下面可查看定价，库存，交付和生命周期等信息

[>>TE Connectivity\(泰科\)](#)