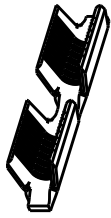
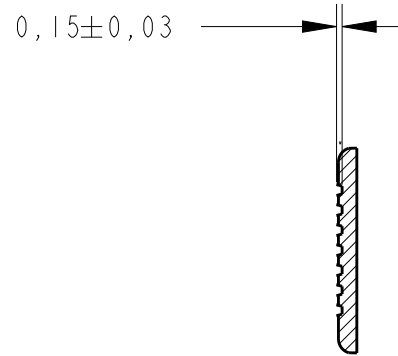
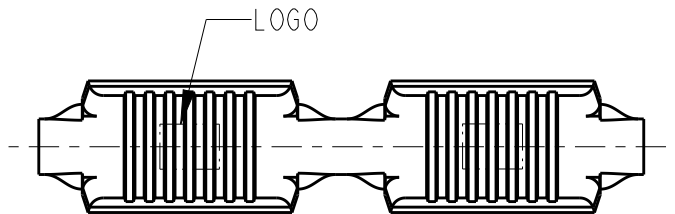


REVISIONS

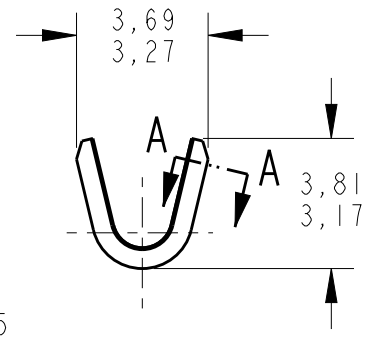
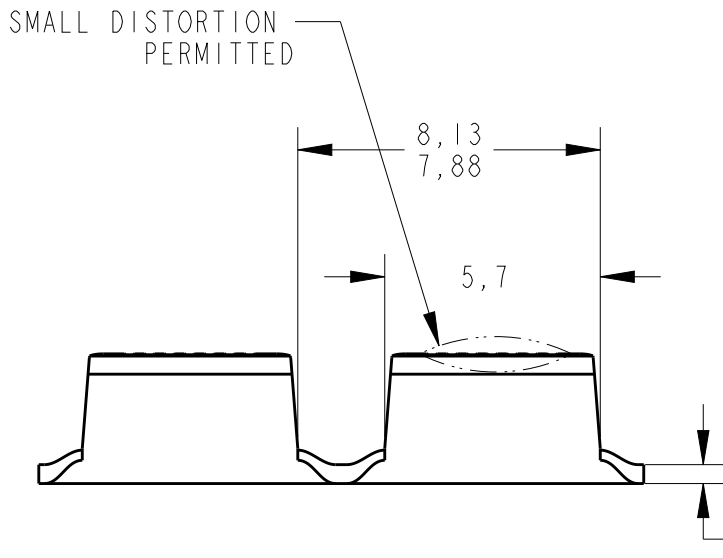
P	LTR	DESCRIPTION	DATE	DWN	APVD
	R2	REDRAWN AND REVISED BY ECO 16-010925	25JULY2016	HC	WLS



SCALE 2:1



SECTION A - A



0,50±0,05

⚠ -NOT FOR USE WITH ALUMINUM MAGNET WIRE,
USE WITH COPPER MAGNET WIRE ONLY.

WIRE RANGE
600-3000 CMA

TIN-PLATED	BRASS	280005-2
—	BRASS	280005-1 ⚠
FINISH	MATERIAL	PART NUMBER

RELEASED FOR PUBLICATION

ALL RIGHTS RESERVED.

THIS DRAWING IS UNPUBLISHED.

© COPYRIGHT copyright_date

DIMENSIONS: mm		DWN H.C. CANTERI 20JAN2015	MATERIAL -		FINISH -	
TOLERANCES UNLESS OTHERWISE SPECIFIED:		CHK W.L. STEFANI 22JAN2015				
0 PLC ±-		APVD -				
1 PLC ±0,2		PRODUCT SPEC -	NAME AMPLIVAR SPLICE			
2 PLC ±0,4		APPLICATION SPEC -	SIZE A 4	CAGE CODE	DRAWING NO C-280005	RESTRICTED TO -
3 PLC ±-		WEIGHT -	CUSTOMER DRAWING			
4 PLC ±-			SCALE 5:1	SHEET 1	OF 1	REV R2
ANGLES ±-						

单击下面可查看定价，库存，交付和生命周期等信息

[>>TE Connectivity\(泰科\)](#)