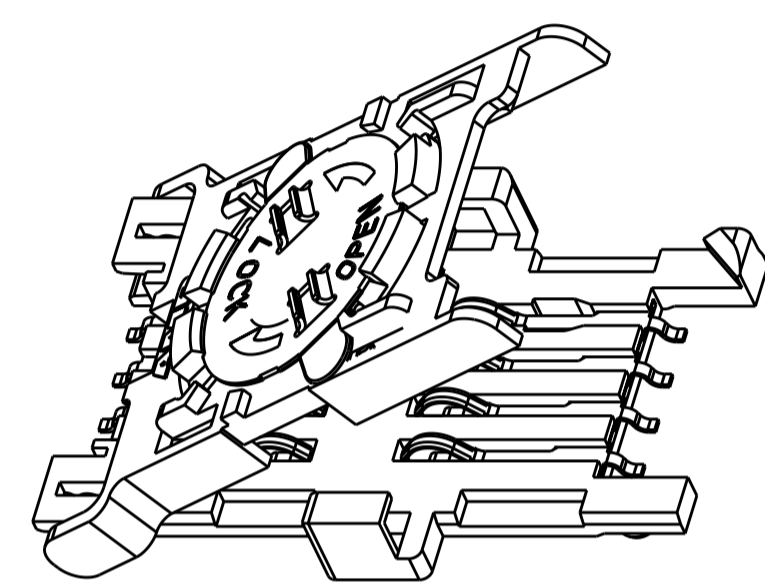
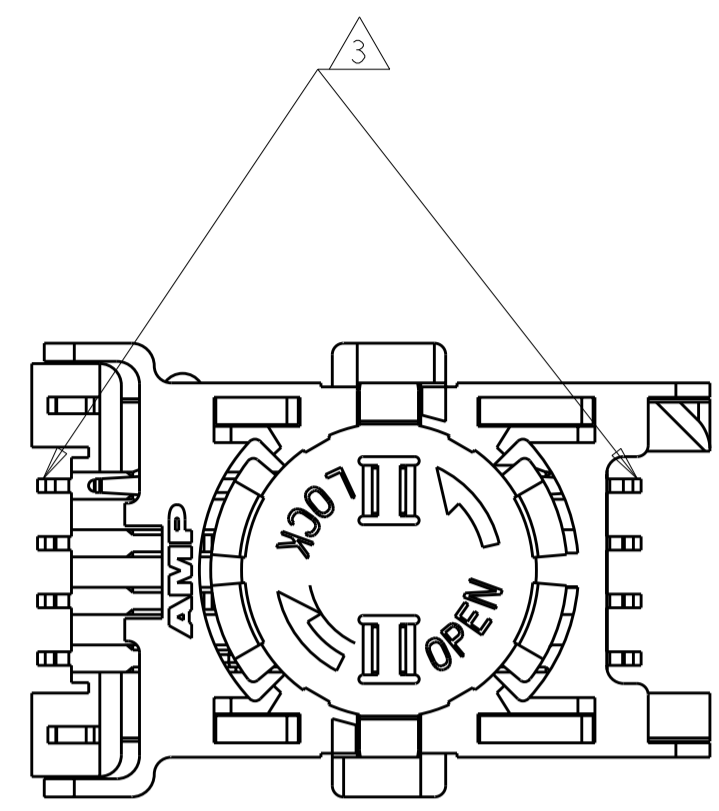


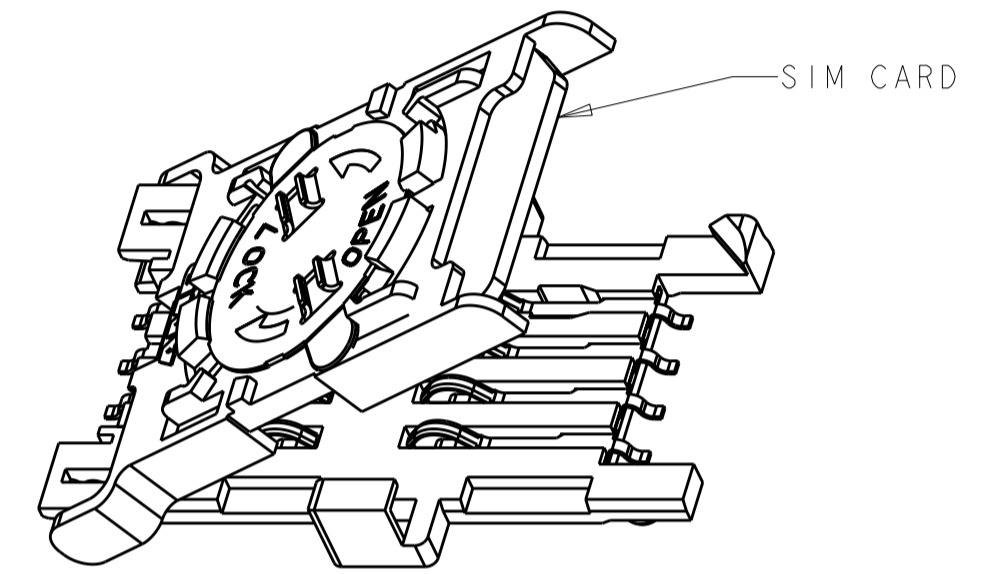
THIS DRAWING IS UNPUBLISHED. RELEASED FOR PUBLICATION 20  
 © COPYRIGHT 20 BY - ALL RIGHTS RESERVED.

LOC		DIST		REVISIONS			
P	LTR	DESCRIPTION	DATE	DWN	APVD		
	P	REVISED PER ECO-11-005027	16MAR2011	RK	HMR		

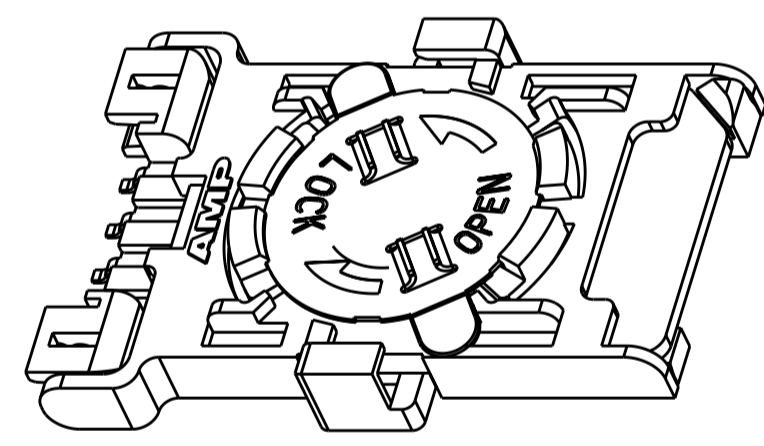
- ① HOUSING: THERMOPLASTIC, CONTACTS: PHOSPHOR BRONZE, LOCKING DISK: STAINLESS STEEL.
- ② CONTACTS: GOLD PLATE ON MATING SURFACE, TIN ON SOLDER TAIL, ALL OVER NICKEL UNDERPLATE.
- ③ CARD DETECTOR SWITCH CONTACTS IF APPLICABLE.
- ④ DATUMS AND DIMENSIONS ESTABLISHED BY CUSTOMER.



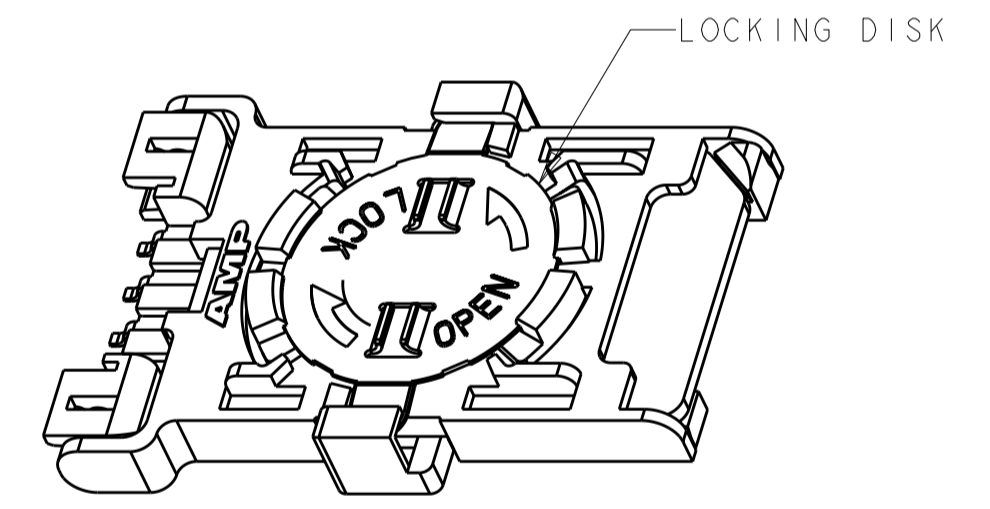
CONNECTOR SHOWN OPEN WITH HINGED COVER AND LOCKING MECHANISM



STEP 1  
SLIDE SIM CARD INTO LID

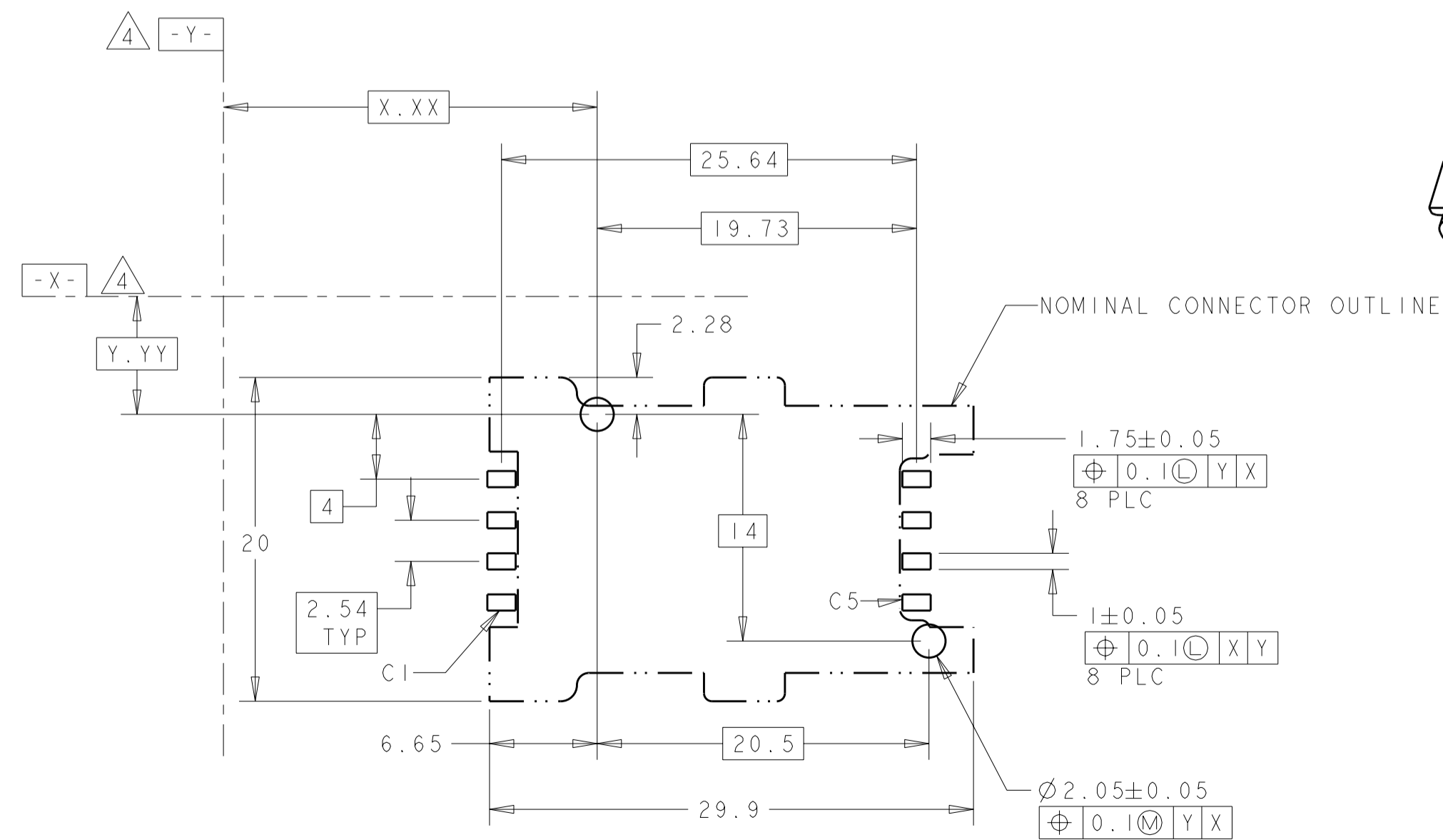
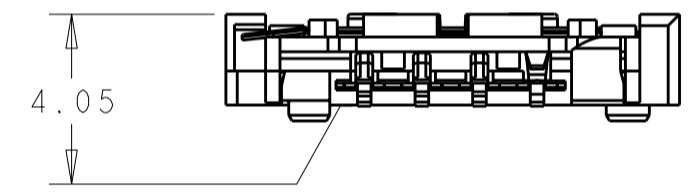
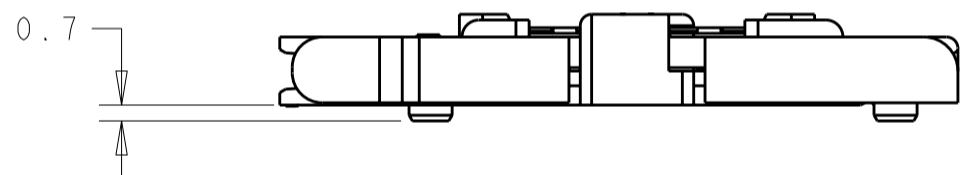


STEP 2  
ROTATE LID DOWN TO HORIZONTAL POSITION



STEP 3  
ROTATE LOCKING DISK CLOCKWISE TO SECURE SIM CARD IN READABLE POSITION

TO REMOVE CARD, ROTATE LOCKING DISK COUNTER CLOCKWISE, SIM CARD WILL THEN BE ACCESSIBLE AS SEEN IN STEP 1.



RECOMMENDED P.C. BOARD PATTERN

8	5145299-2
6	③ 5145299-1
POSITIONS	PART NUMBER

THIS DRAWING IS A CONTROLLED DOCUMENT.		DWN J. GERACE 01JUN05	TE Connectivity
DIMENSIONS: mm		CHK D. GORENC 01JUN05	
TOLERANCES UNLESS OTHERWISE SPECIFIED:		APVD M. WALMSLEY 01JUN05	
0 PLC ± 1 PLC ± 2 PLC ± 3 PLC ± 4 PLC ± ANGLES ± FINISH		NAME SIM/SAM CONNECTOR WITH LID, 8 POSN OR 6 POSN WITH SWITCH, SURFACE MOUNT	
MATERIAL		PRODUCT SPEC -	SIZE A2
THRU HOLE 2 PLCS ① ②		APPLICATION SPEC -	CAGE CODE C-5145299
		WEIGHT -	DRAWING NO 5145299
		CUSTOMER DRAWING	RESTRICTED TO -
		SCALE 3:1	SHEET 1 OF 1 REV P

单击下面可查看定价，库存，交付和生命周期等信息

[>>TE Connectivity\(泰科\)](#)