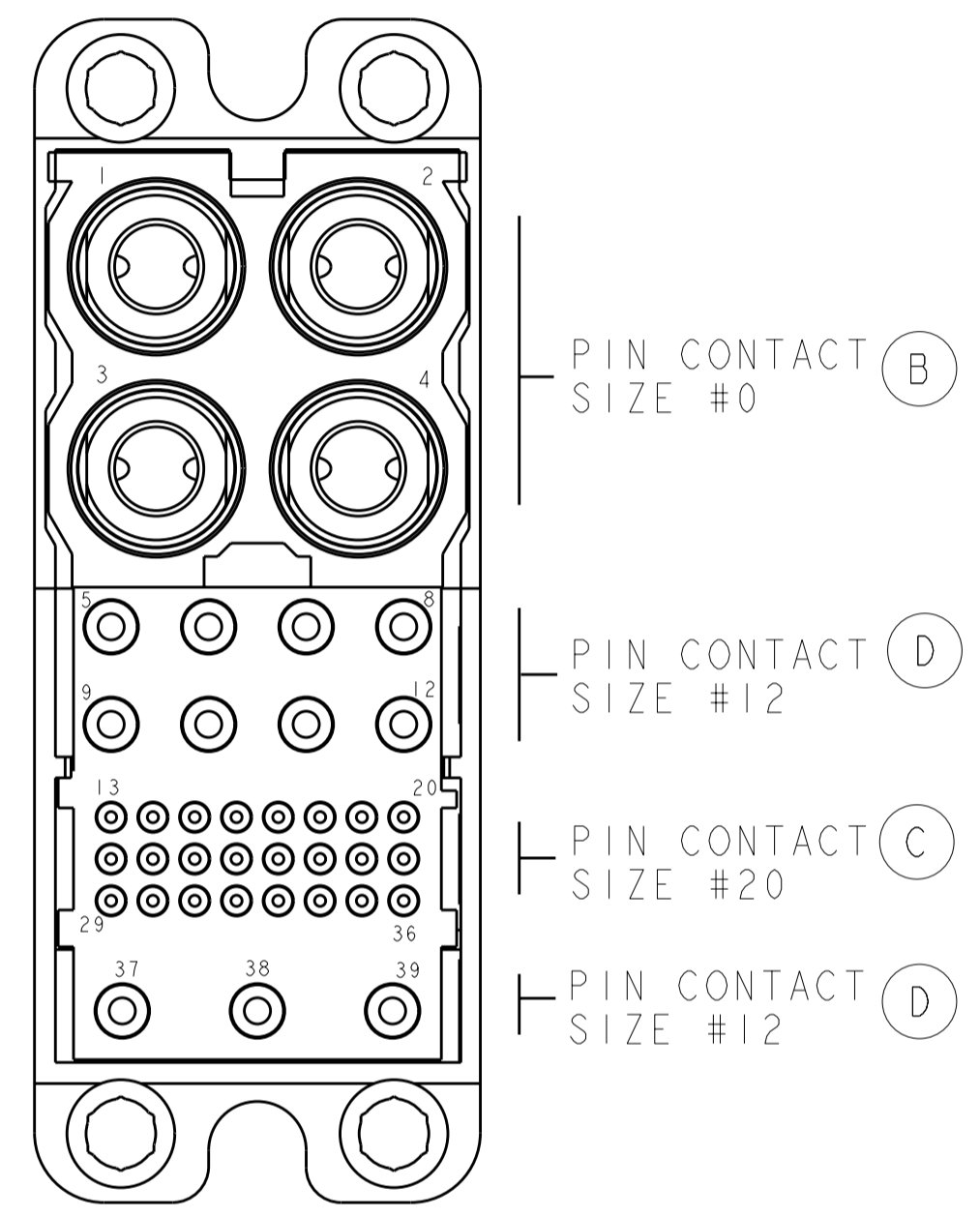
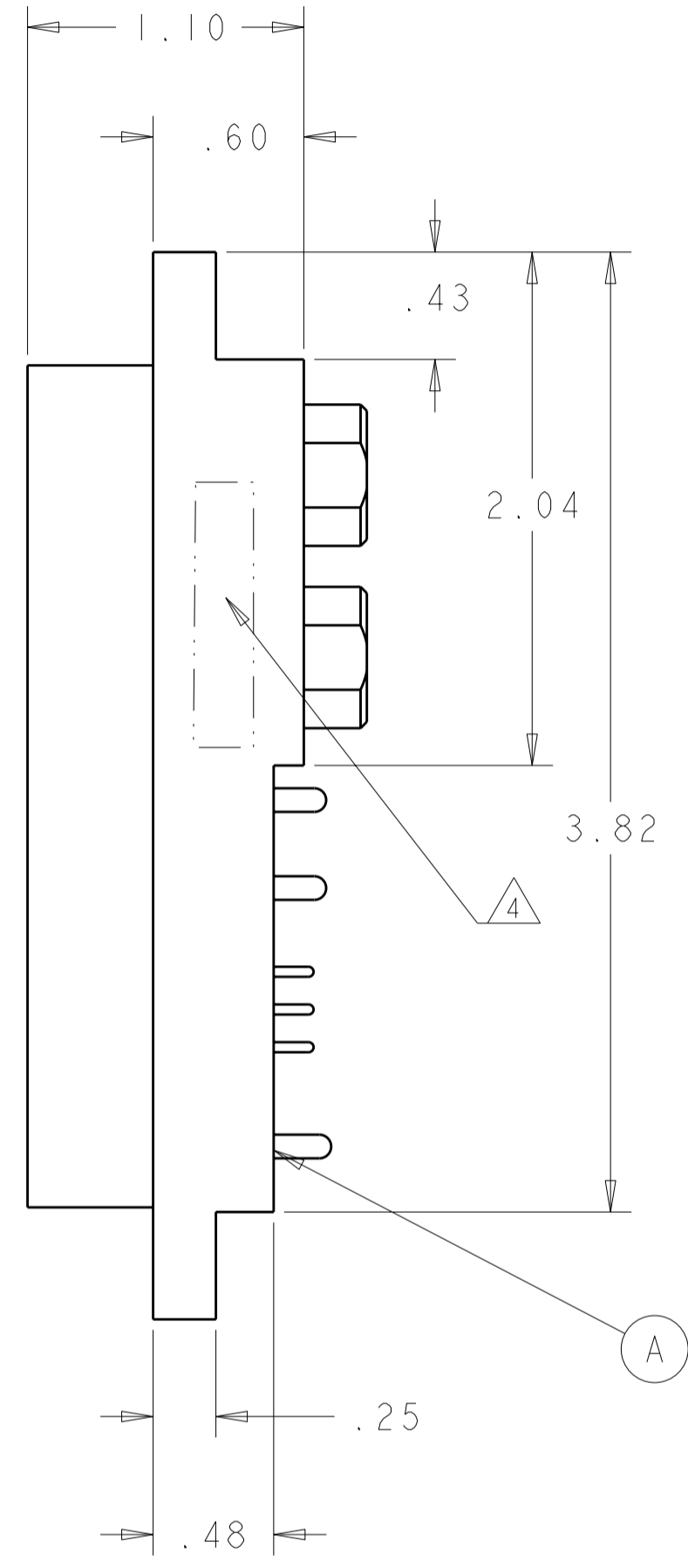
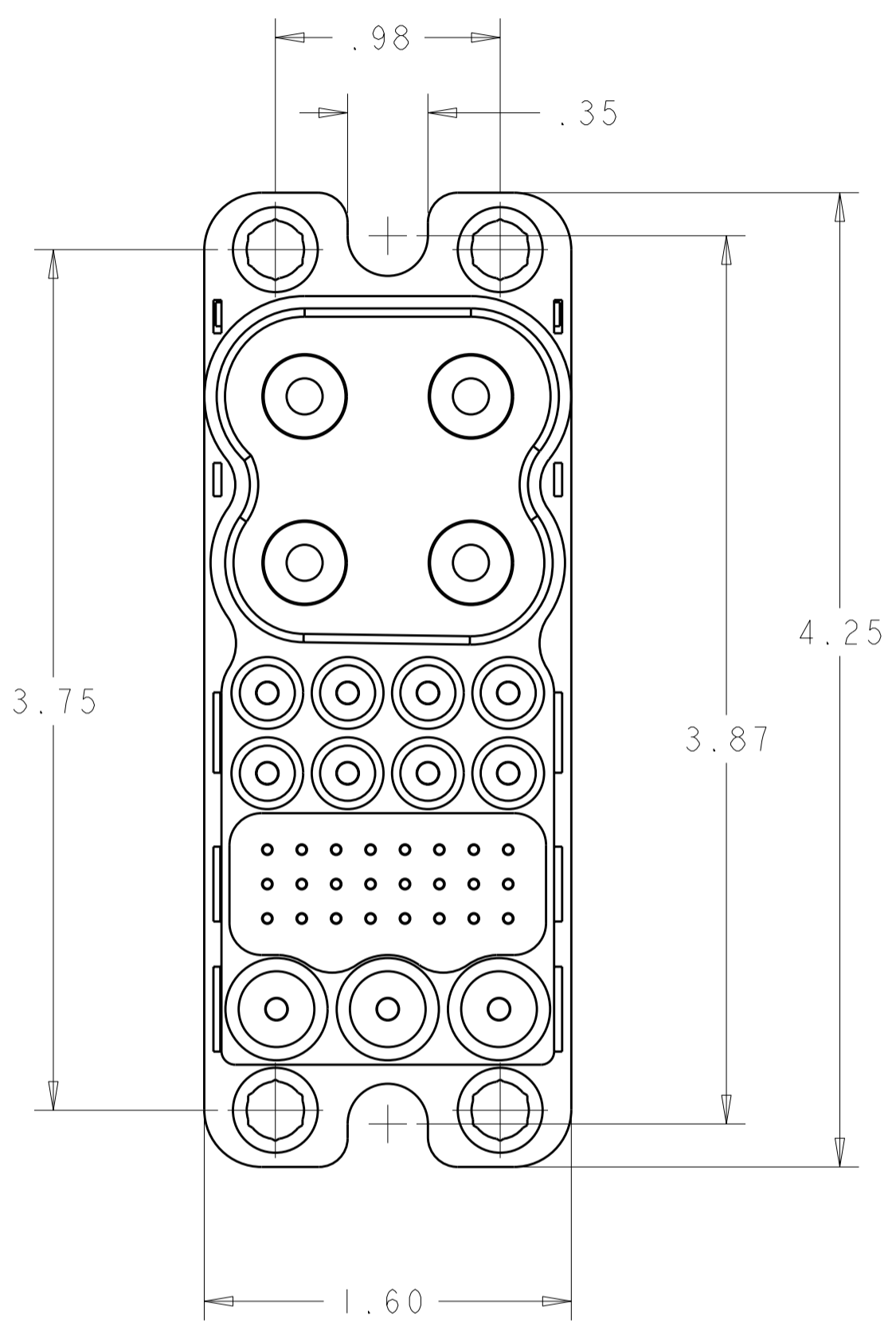


THIS DRAWING IS UNPUBLISHED. RELEASED FOR PUBLICATION 20
 © COPYRIGHT 20 BY TYCO ELECTRONICS CORPORATION. ALL RIGHTS RESERVED.

| LOC | DIST | REVISIONS | | | |
|-----|------|-------------|----------|-----------|-------|
| P | LTR | DESCRIPTION | DATE | DWN | APVD |
| GP | 00 | A | RELEASED | 10JUL2008 | RG DO |



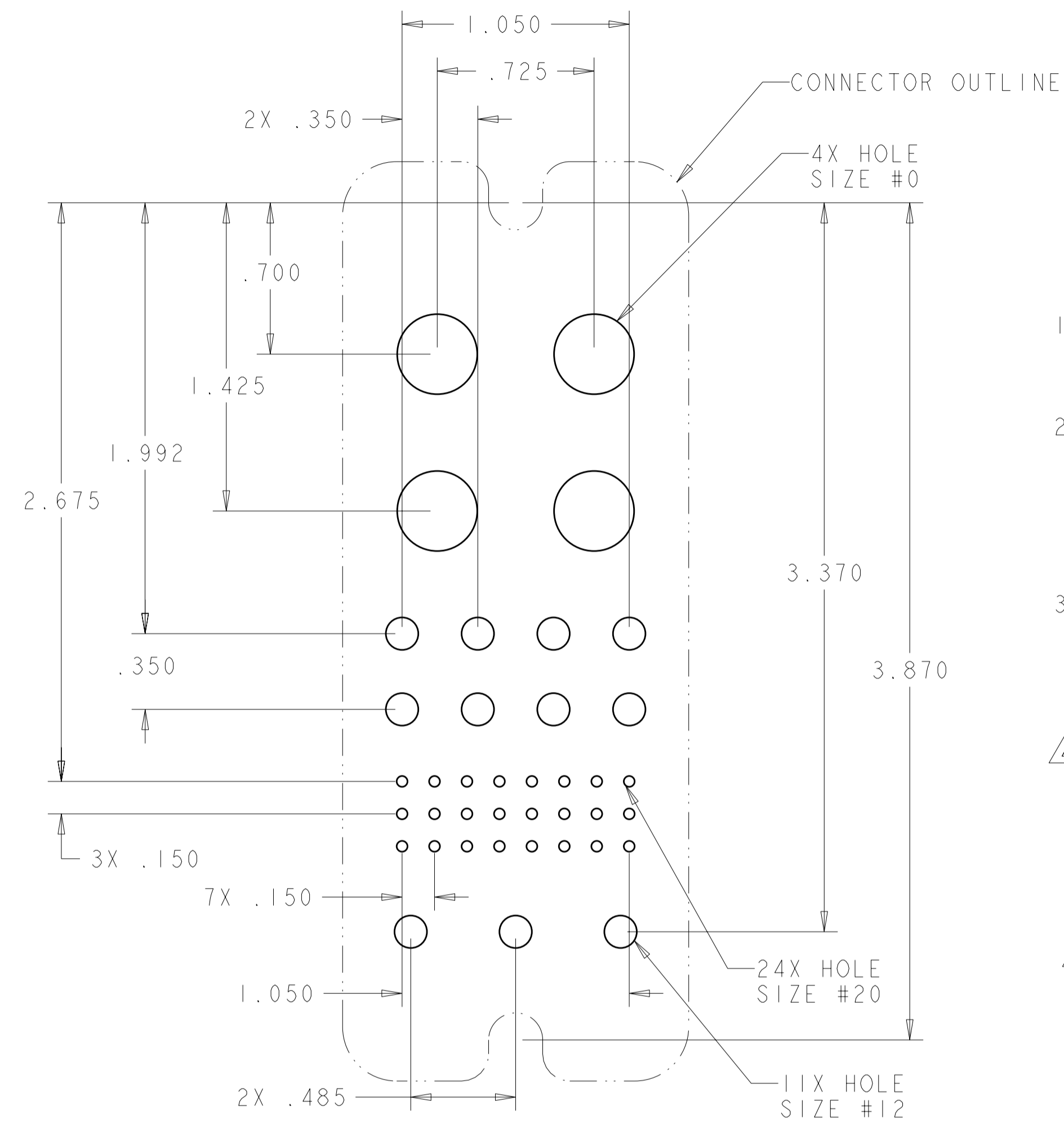
| | | | | |
|----|----|-------------|--|------|
| △5 | 11 | 1766245-1 | CONTACT, PIN, #12, PCB TAIL | D |
| △5 | 24 | 1650283-1 | CONTACT, PIN, #20, PCB TAIL | C |
| | 4 | 1766275-1 | CONTACT, PIN (PROBE PROOF), #0, M6 X 1 INT. THD. | B |
| | 1 | 1648552-2 | CONNECTOR, PIN | A |
| | -1 | PART NUMBER | DESCRIPTION | ITEM |

ELCON **DOUBLE DRAWER**

| | | | |
|---|---|---|---|
| THIS DRAWING IS A CONTROLLED DOCUMENT FOR TYCO ELECTRONICS CORPORATION. IT IS SUBJECT TO CHANGE AND THE CONTROLLING ENGINEERING ORGANIZATION SHOULD BE CONTACTED FOR THE LATEST REVISION. | | DWN R. GRZYBOWSKI 8JULY08 CHK D. ORRIS 8JULY08 APVD S. FLICKINGER 8JULY08 | tyco Electronics Tyco Electronics Harrisburg, PA 17105-3608 |
| DIMENSIONS: INCHES | TOLERANCES UNLESS OTHERWISE SPECIFIED: 0 PLC ± 1 PLC ±.02 2 PLC ±.02 3 PLC ±.010 4 PLC ± ANGLES ±.5 FINISH | PRODUCT SPEC APPLICATION SPEC WEIGHT | NAME PIN CONNECTOR ASSEMBLY SOLDER TAILS DOUBLE DRAWERS SIZE CAGE CODE DRAWING NO RESTRICTED TO A200779C-1926868 - |
| MATERIAL | | CUSTOMER DRAWING | SCALE 2:1 SHEET 1 OF 2 REV A |

THIS DRAWING IS UNPUBLISHED. RELEASED FOR PUBLICATION 20
© COPYRIGHT 20 BY TYCO ELECTRONICS CORPORATION. ALL RIGHTS RESERVED.

| LOC | DIST | REVISIONS | | | | | |
|-----|------|-----------|-----|-------------|------|-----|------|
| GP | 00 | P | LTR | DESCRIPTION | DATE | DWN | APVD |
| | | - | | SEE SHEET 1 | | | |



SUGGESTED PC BOARD LAYOUT
VIEW FROM CONNECTOR MOUNTING SIDE

HOLE SIZE #0
 FINISHED HOLE: $\phi .572 \pm .003$
 DRILLED HOLE: $\phi .5740 \pm .0005$
 COPPER PLATE: .0010 MIN
 TIN PLATE: .0002 MIN THK.

HOLE SIZE #12
 FINISHED HOLE: $\phi .104 \pm .003$
 DRILLED HOLE: $\phi .1065 \pm .0005$
 COPPER PLATE: .0010 MIN
 TIN PLATE: .0002 MIN THK.

HOLE SIZE #20
 FINISHED HOLE: $\phi .047 \pm .003$
 DRILLED HOLE: $\phi .0453 \pm .0005$
 COPPER PLATE: .0010 MIN
 TIN PLATE: .0002 MIN THK.

- PART NUMBER CHANGES AND OR DESIGN CHANGES AFFECTING THE INTERCHANGEABILITY REQUIRE PRIOR TYCO ELECTRONICS APPROVAL AND AUTHORIZATION BY REVISION TO THIS DRAWING.
- MATERIAL:
 INSULATOR: THERMOPLASTIC, GLASS REINFORCED, UL 94V-0
 FLAMMABILITY RATED, COLOR: BLACK
 PIN CONTACT SIZE No. 0 : TELLURIUM COPPER ALLOY
 PIN CONTACT SIZE No. 12 & 20 : BRASS ALLOY
 RETENTION CLIP: BERYLLIUM COPPER OR STAINLESS STEEL
- FINISH:
 PIN CONTACTS SIZE #0 & #12: SILVER PLATE .000200 MIN THK.
 OVER NICKEL .000040 MIN THK.
 PIN CONTACTS SIZE #20: GOLD PLATE .000030 MIN THK.
 OVER NICKEL .000040 MIN THK.

- 4 ITEMS PROVIDED TO THIS SPECIFICATION TO BE PERMANENTLY IDENTIFIED PER THE FOLLOWING IDENTIFIER:
- YEAR | WEEK
- TYCO ELECTRONICS P/N DATE CODE (e.g. 0216)
- XXXXXX-X XXXX
- 5 SOLDER TAIL CONTACTS (ITEMS C THRU D) ARE INSERTABLE/NON-REMOVABLE

ELCON **DOUBLE DRAWER**

| | | | | |
|--|--|------------------------------------|--|--------------------|
| THIS DRAWING IS A CONTROLLED DOCUMENT FOR TYCO ELECTRONICS CORPORATION IT IS SUBJECT TO CHANGE AND THE CONTROLLING ENGINEERING ORGANIZATION SHOULD BE CONTACTED FOR THE LATEST REVISION. | | DWN R. GRZYBOWSKI 8 JULY 08 | Tyco Electronics Harrisburg, PA 17105-3608 | |
| DIMENSIONS: INCHES | | CHK D. ORRIS 8 JULY 08 | | |
| TOLERANCES UNLESS OTHERWISE SPECIFIED: | | APVD S. FLICKINGER 8 JULY 08 | NAME PIN CONNECTOR ASSEMBLY SOLDER TAILS DOUBLE DRAWERS | |
| 0 PLC ± 1 PLC ± 2 PLC ±.02 3 PLC ±.010 4 PLC ± ANGLES ±.5 FINISH | | PRODUCT SPEC - | SIZE A2 | CAGE CODE 00779 |
| MATERIAL - | | APPLICATION SPEC - | DRAWING NO. C-1926868 | RESTRICTED TO - |
| CUSTOMER DRAWING | | WEIGHT - | SCALE 2:1 SHEET 2 OF 2 REV A | |

单击下面可查看定价，库存，交付和生命周期等信息

[>>TE Connectivity\(泰科\)](#)