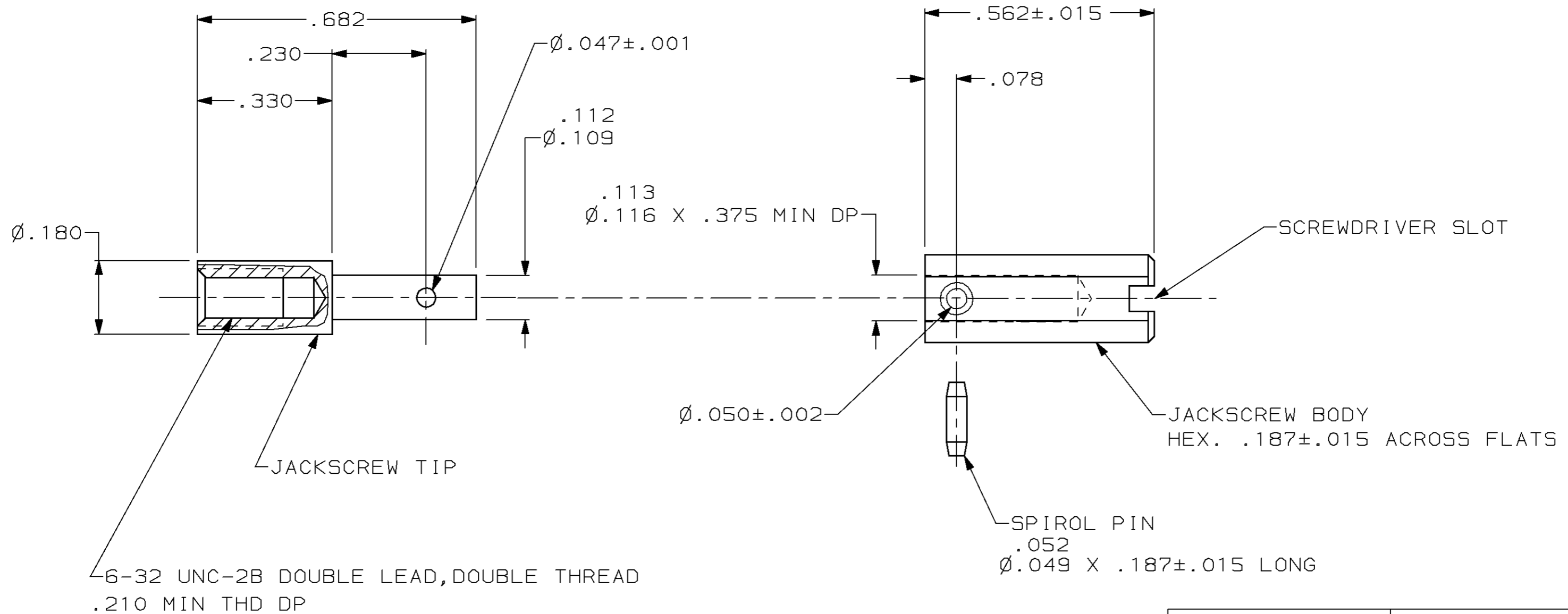


THIS DRAWING IS UNPUBLISHED. RELEASED FOR PUBLICATION, 19 .
 © COPYRIGHT 19 BY AMP INCORPORATED. ALL INTERNATIONAL RIGHTS RESERVED.

LOC	DIST	P	F	REVISIONS				
				ZONE	LTR	DESCRIPTION	DATE	APPD
AR	39				D	REDRAWN AR2318	2-89	-
					E	SUPSD -1 PER EC 0020-542-94	12/21/94	GM
					F	REV PER EC 0020-293-96	25 JUN 96	GDM



SUPSD BY 88616-2

PASSIVATED	88616-2
-	88616-1
FINISH	PART NO

DO NOT SCALE PRINT, UNLESS SPECIFIED DIMENSIONS IN INCHES TOLERANCES ON: 2 PLC DEC ± - 3 PLC DEC ± .005 ANGLES ± -	DR 2-2-89 C. OBERMAN	AMP AMP INCORPORATED Harrisburg, Pa. 17105		
	CHK 2-15-89 G.D. MILLER			
	MATERIAL STAINLESS STEEL	APPD 2-15-89 G.D. MILLER	NAME JACKSCREW KIT, FEMALE, TURNABLE	
	FINISH SEE TABLE	APPD 2-15-89 W. PARKER	SIZE B	FSCM NO 00779
	PRODUCT SPEC -	SCALE 4:1		SHEET 1 OF 1
	APPLICATION SPEC -			
	WEIGHT -			

单击下面可查看定价，库存，交付和生命周期等信息

[>>TE Connectivity\(泰科\)](#)