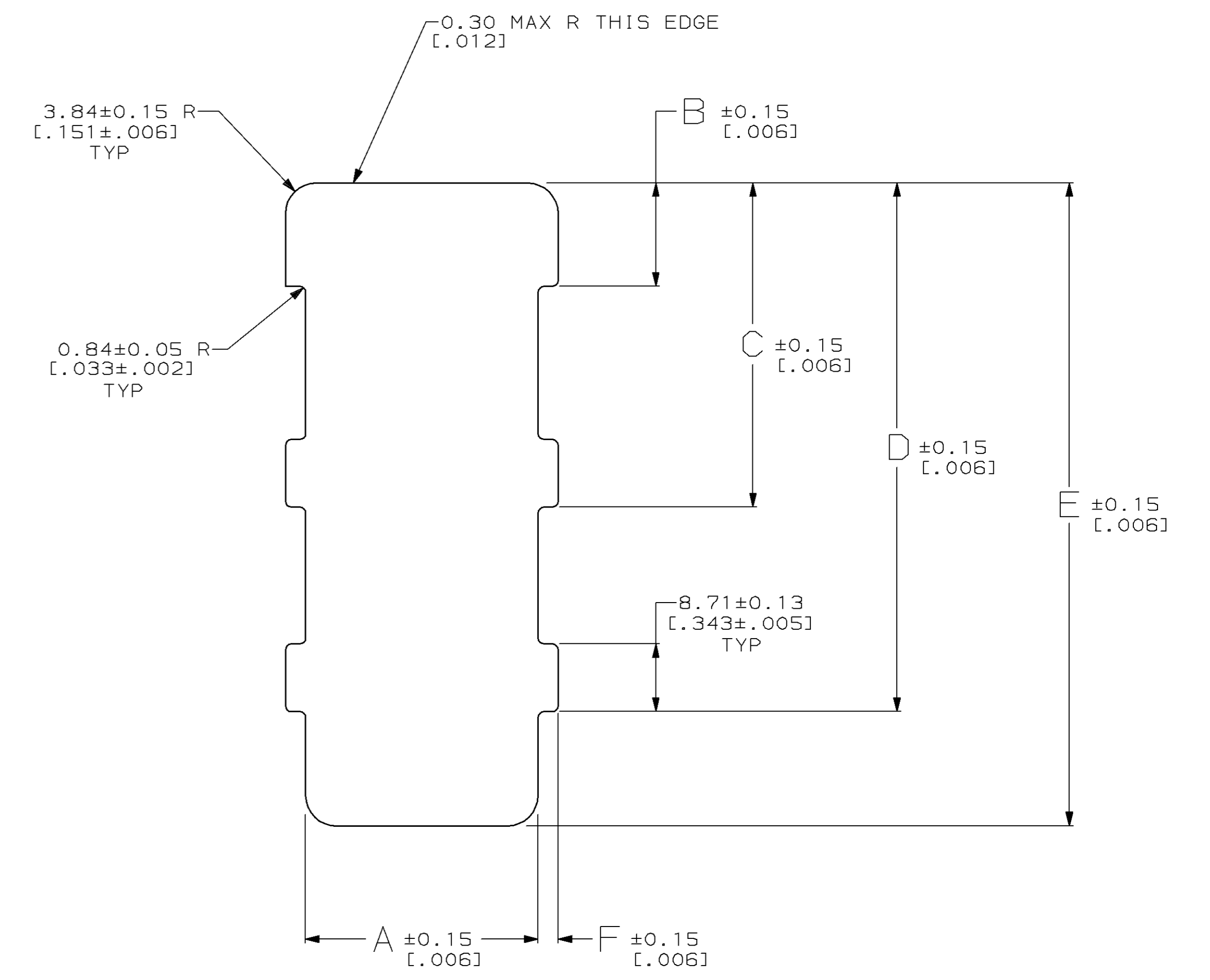
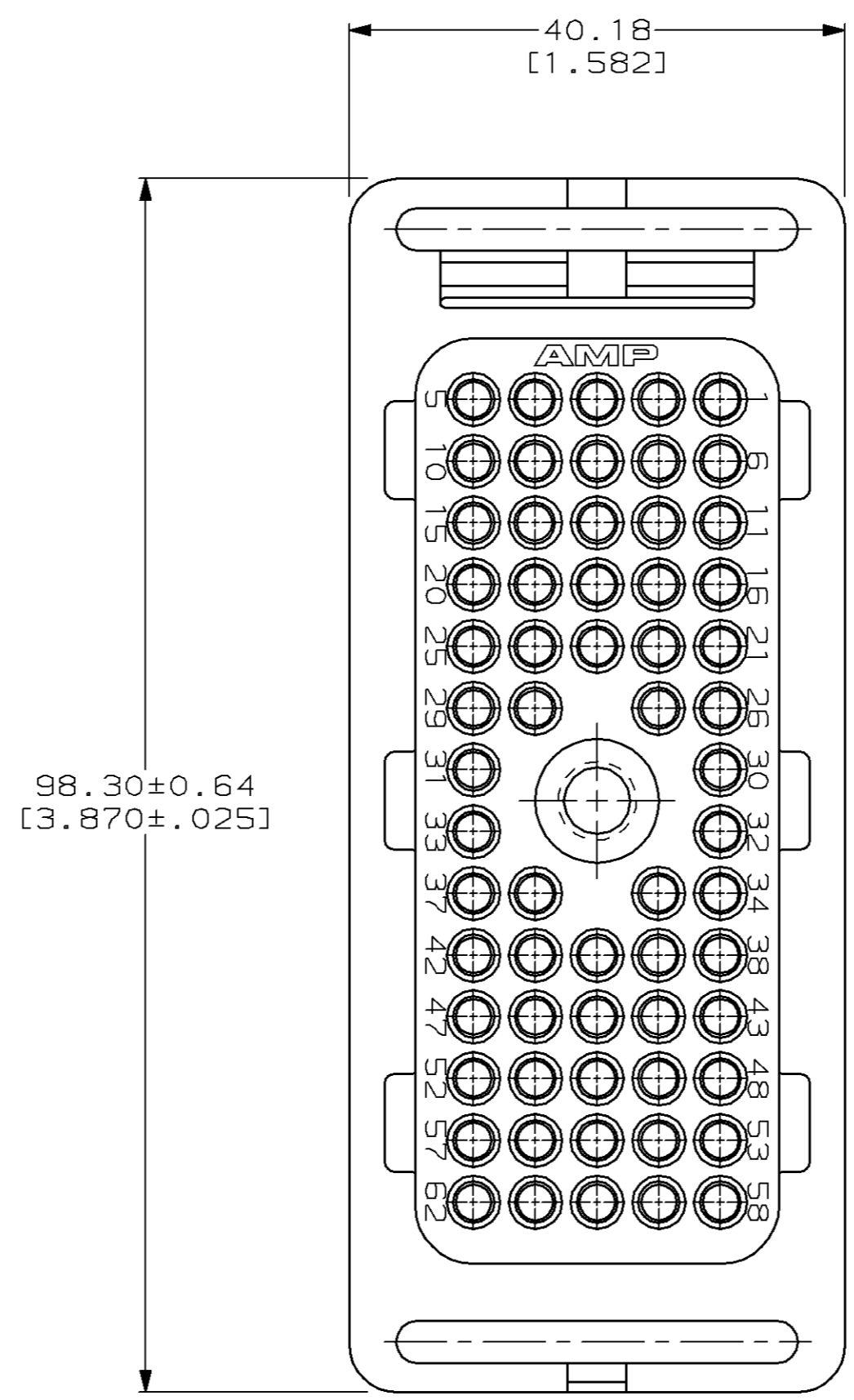
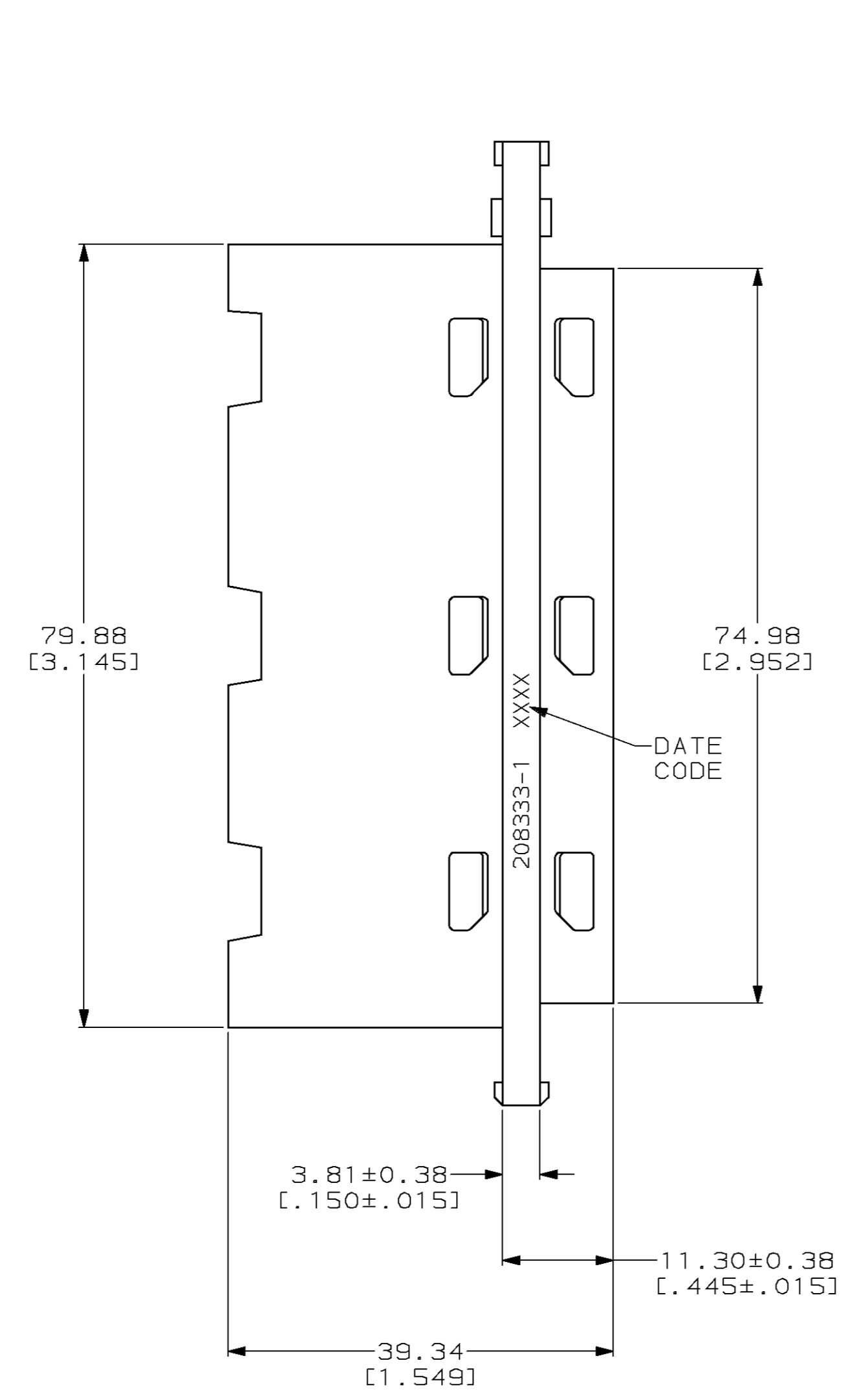
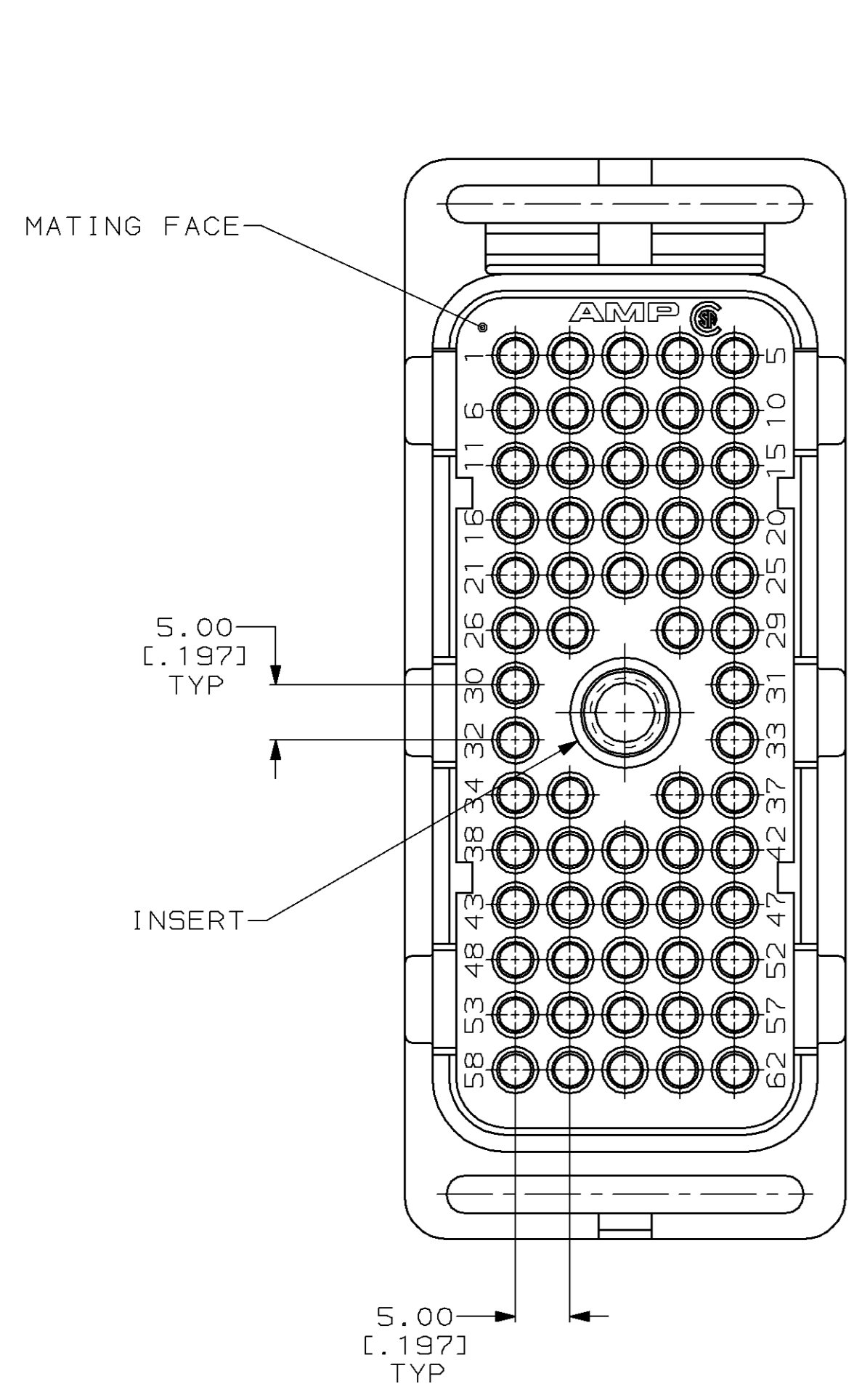


LOC		DIST		P		ZONE		LTR		REVISIONS		
BD	37									DESCRIPTION	DATE	APPD
									B	REDRAWN WITHOUT CHANGE	10/26/92	-
									C	OBS -1, EC0020-942-94	01/09/95	AT
									D	REACTIVATE 208333-1 PER EC 0020-1369-95	28 NOV 95	MM



RECOMMENDED PANEL CUTOUT
 (PANEL THICKNESS: SEE TABLE)

- 1 PANEL CUTOUT FOR REAR MOUNTED PIN BLOCK.
- 2 PANEL CUTOUT FOR FRONT MOUNTED PIN BLOCK.

1.40 THRU [0.055]	1.98 [0.078]	2	37.85 [1.490]	16.05 [0.632]	44.45 [1.750]	70.36 [2.770]	85.55 [3.368]	1.75 [0.069]
0.79 THRU [0.031]	1.40 [0.055]	2	35.56 [1.400]	16.05 [0.632]	44.45 [1.750]	70.36 [2.770]	85.55 [3.368]	2.74 [0.108]
1.40 THRU [0.055]	1.98 [0.078]	1	32.36 [1.274]	13.46 [0.530]	41.86 [1.648]	68.15 [2.683]	82.85 [3.262]	1.75 [0.069]
0.79 THRU [0.031]	1.40 [0.055]	1	30.05 [1.183]	13.46 [0.530]	41.86 [1.648]	68.15 [2.683]	82.85 [3.262]	2.74 [0.108]
PANEL THICKNESS			A	B	C	D	E	F

THIS DRAWING IS A CONTROLLED DOCUMENT FOR AMP INCORPORATED. IT IS SUBJECT TO CHANGE AND THE CONTROLLING ENGINEERING ORGANIZATION SHOULD BE CONTACTED FOR THE LATEST REVISION.

DO NOT SCALE PRINT. UNLESS SPECIFIED DIMENSIONS IN mm [INCHES]		DR 10/26/92 D.6ELTZ		AMP AMP Incorporated Harrisburg, PA 17105-3608	
TOLERANCES ON:	CHK 12-21-92 R.STONE	NAME	RECEPTACLE HOUSING, 62 POSITION, W/FEMALE JACKSCREW THD, METRIMATE		
2 PLC DEC ± 0.51 [0.020]	APPD 12-21-92 A.TRAVIS	MATERIAL	THERMOPLASTIC, BLACK		
3 PLC DEC ± -		INSERT, STAINLESS STEEL	PRODUCT SPEC -		
ANGLES ± -		FINISH	APPLICATION SPEC -		
			SIZE D	CAGE CODE 00779	DRAWING NO C-208333
			SCALE 2:1	SHEET 1 OF 1	

单击下面可查看定价，库存，交付和生命周期等信息

[>>TE Connectivity\(泰科\)](#)