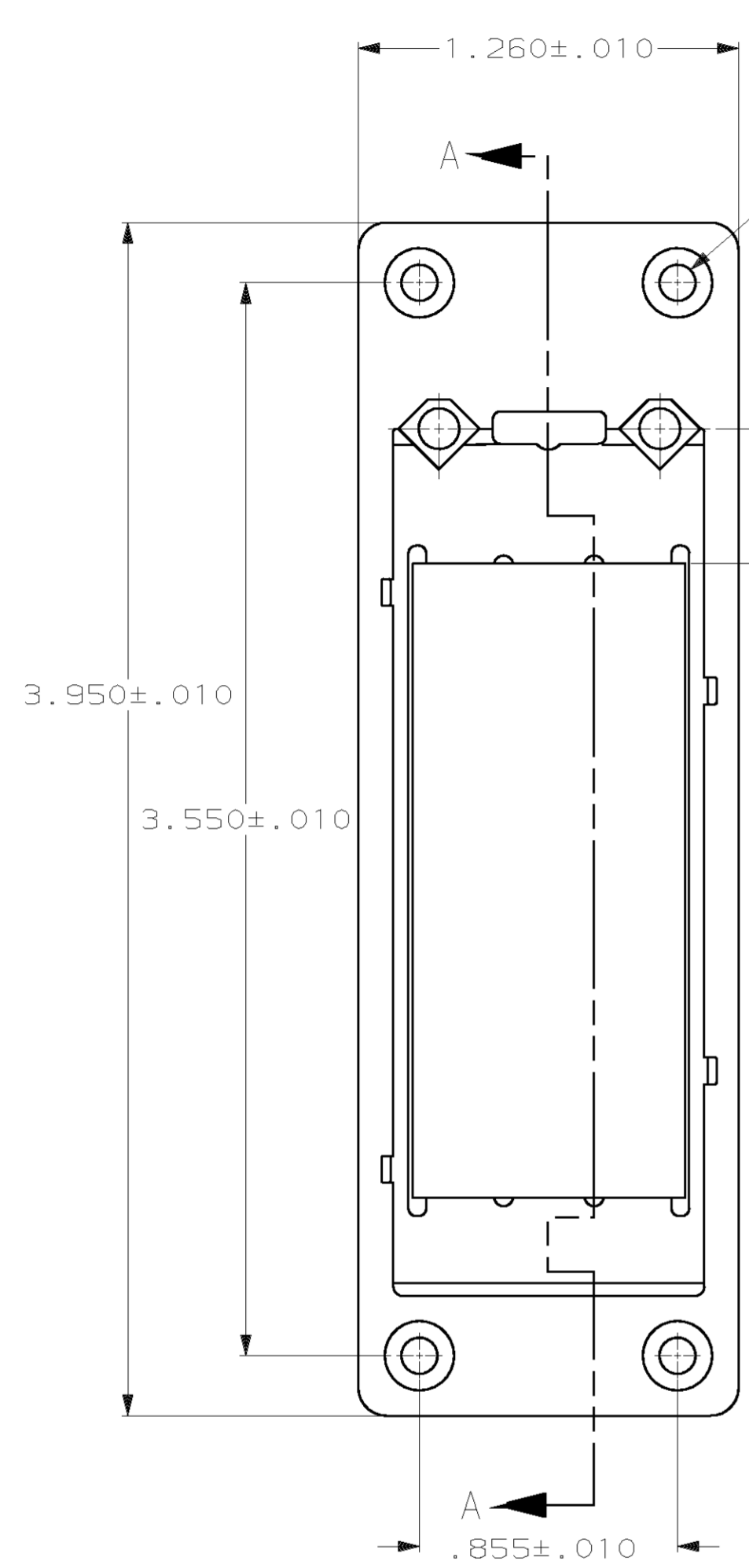
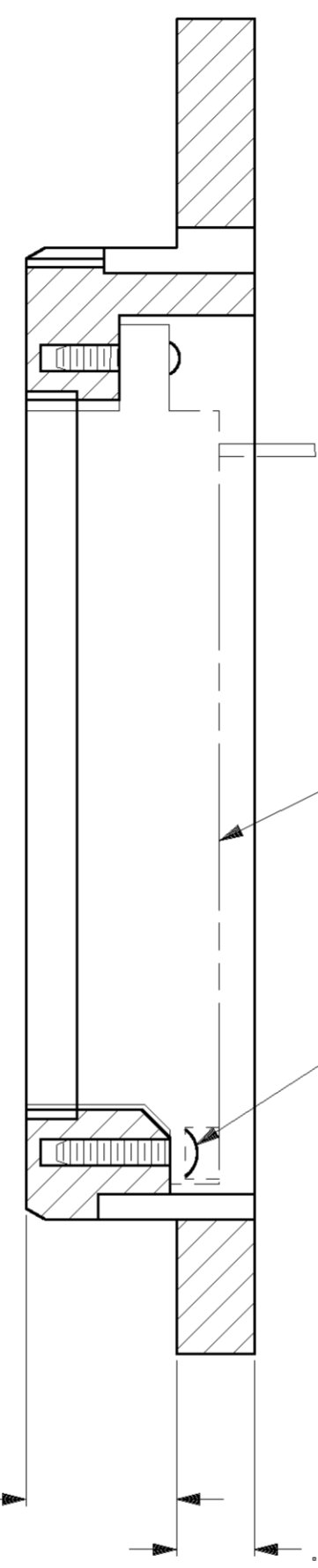


LOC	DIST	P	F	ZONE	LTR	REVISIONS	DATE	APPD
DF	EO				G	REV PER 063D-0362-01 JMK	6-03	RG

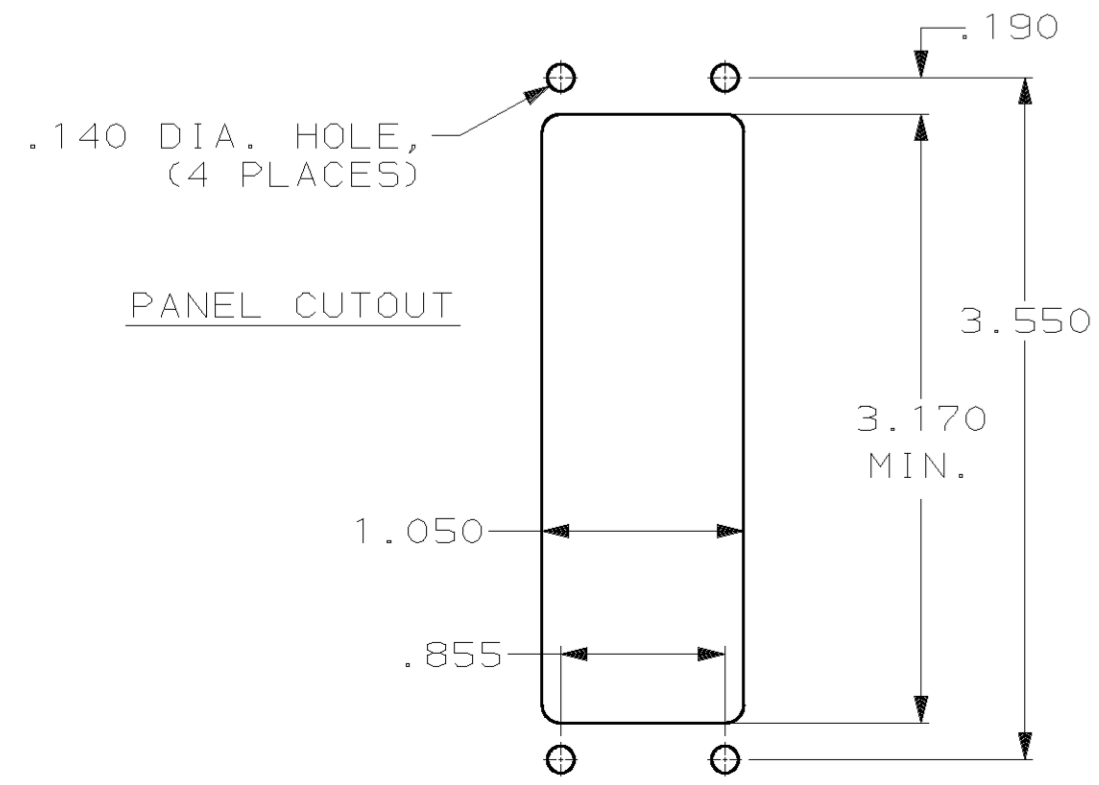
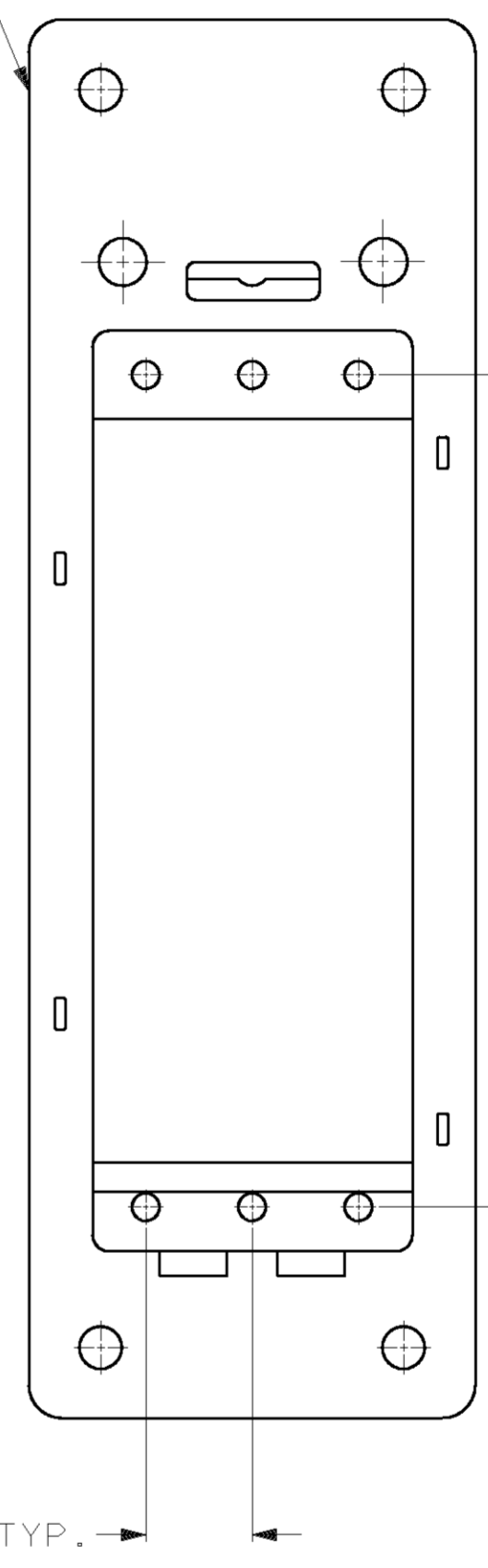


MTG. HOLES FOR #4 SCREWS

RECEPTACLE HOUSING,
 MAT'L: GLASS REINFORCED
 THERMOPLASTIC
 COLOR: BLACK



SECTION A-A



- PARTS PACKAGED UNASSEMBLED.
- RECPT. MODULE ASSY. SHOWN FOR REF. ONLY, MUST BE ORDERED SEPARATELY.
- AMP P/N & DATE CODE INK STAMPED ON KIT BAG.
- AMP PART NO., DATE CODE AND CUST. PART NO. INK STAMPED ON KIT BAG.

DO NOT SCALE PRINT. UNLESS SPECIFIED DIMENSIONS IN INCHES TOLERANCES ON:	DR 12-19-88 T. WIEST
2 PLC DEC ± -	CHK 1-3-89 D. MUMMEY
3 PLC DEC ± .005	APPD 1-3-89 D. MUMMEY
ANGLES ± -	APPD 1-3-89 D. MUMMEY
MATERIAL	PRODUCT SPEC
FINISH	APPLICATION SPEC
WEIGHT	

3		207356-2
4	218A4549P1	207356-1
INK STAMPING	CUSTOMER P/N	PART NO

AMP INCORPORATED Harrisburg, Pa. 17105		
NAME		
RECEPTACLE KIT, SIZE 1 (FOR WIRE WRAP)		
SIZE	FSCM NO	DRAWING NO
C	00779	207356
SCALE	2:1	SHEET
		1 OF 1

单击下面可查看定价，库存，交付和生命周期等信息

[>>TE Connectivity\(泰科\)](#)