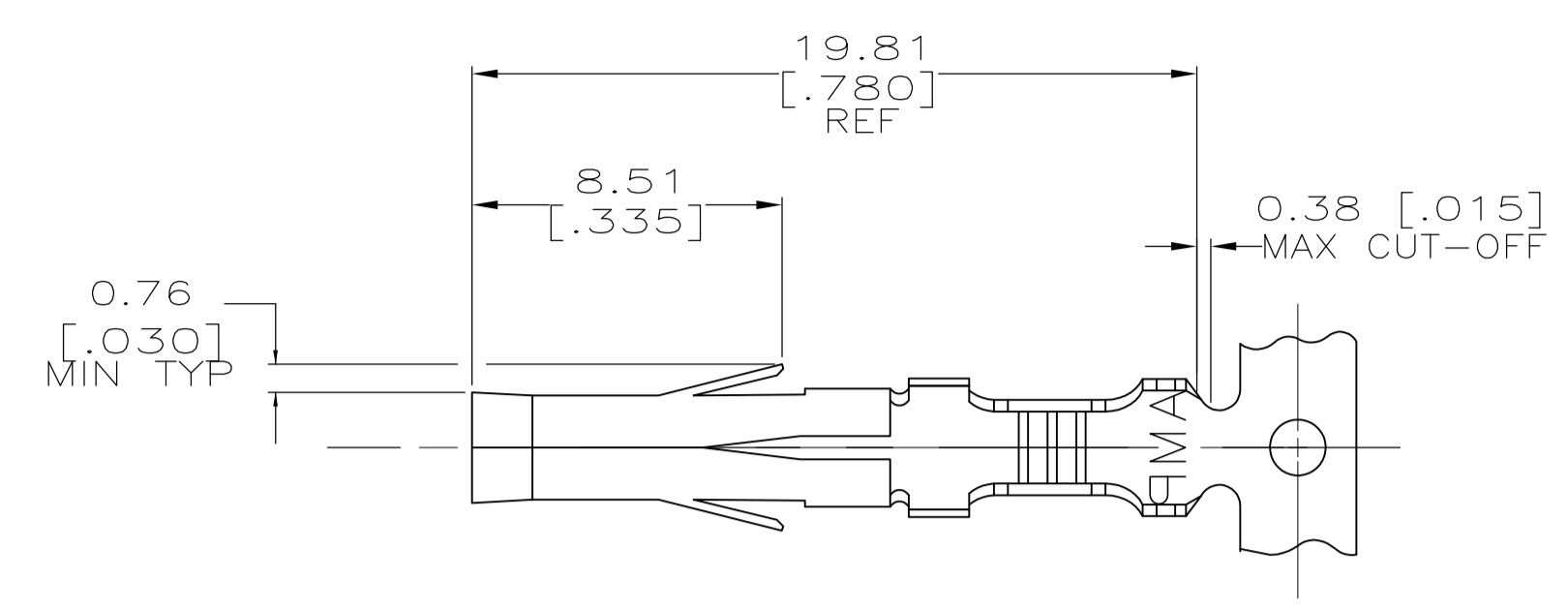
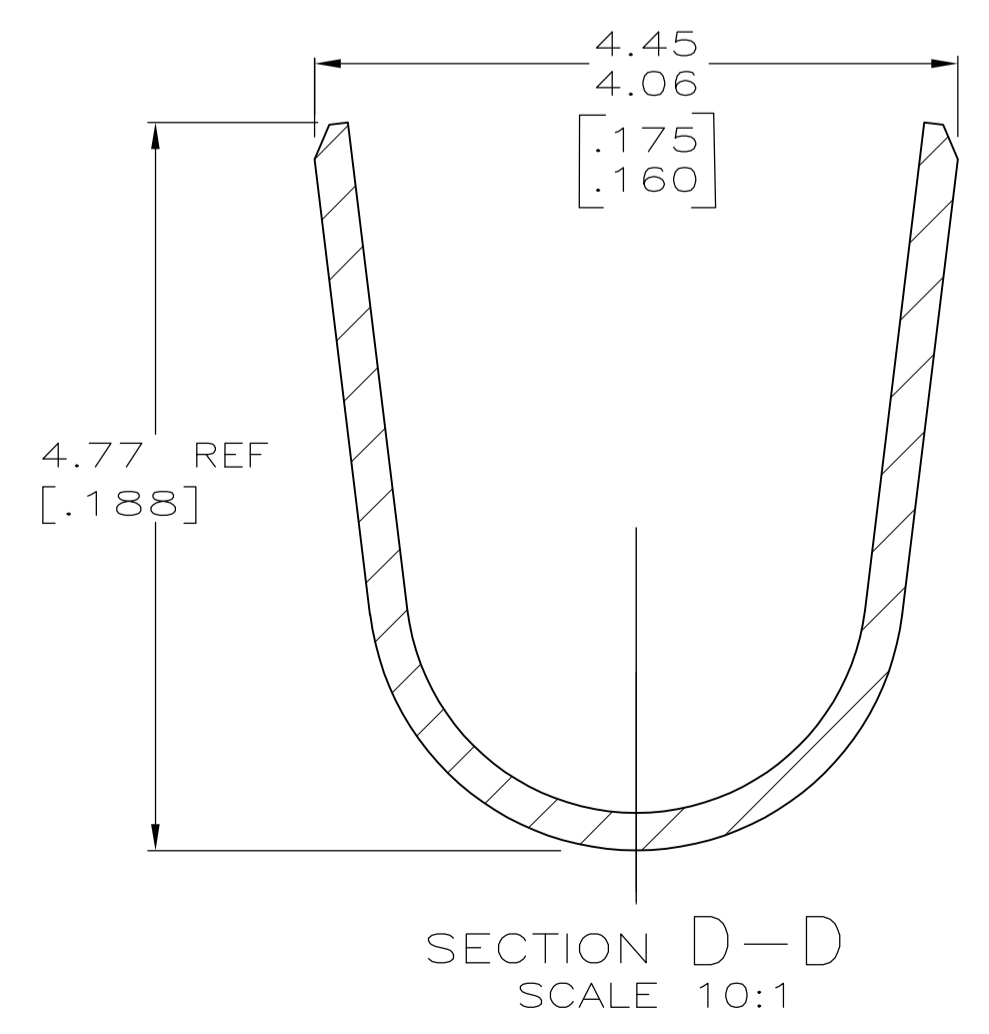
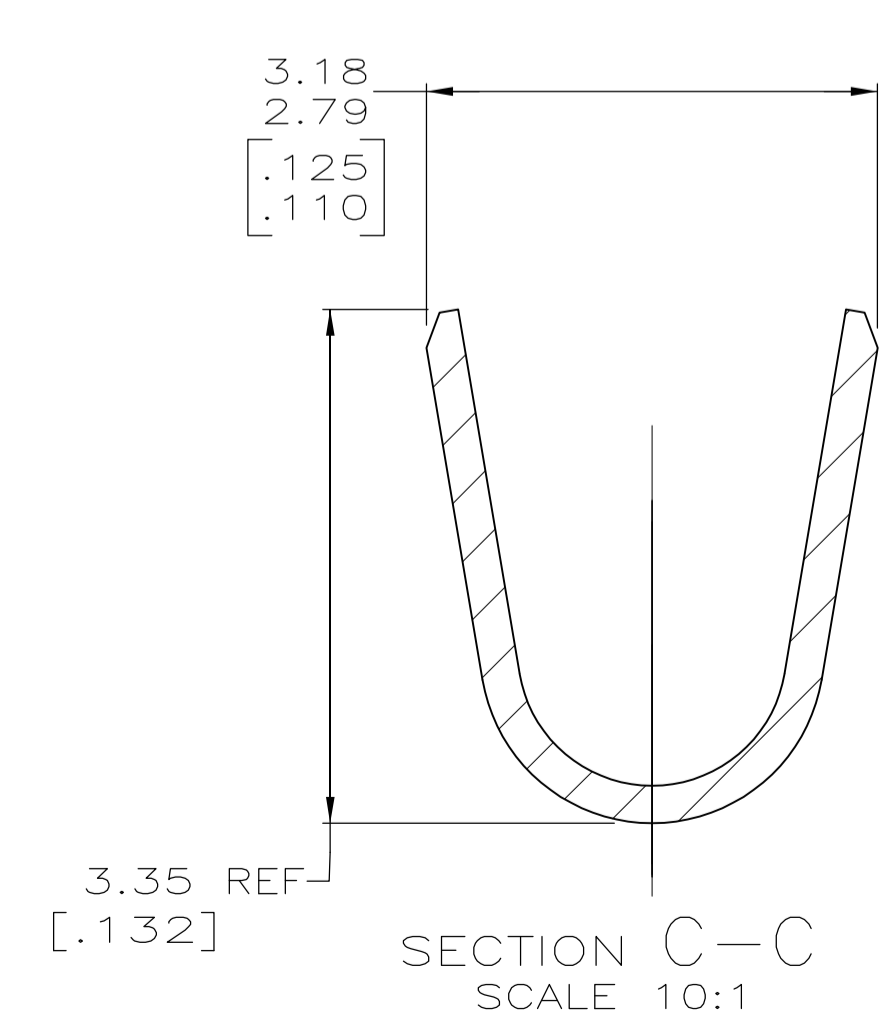
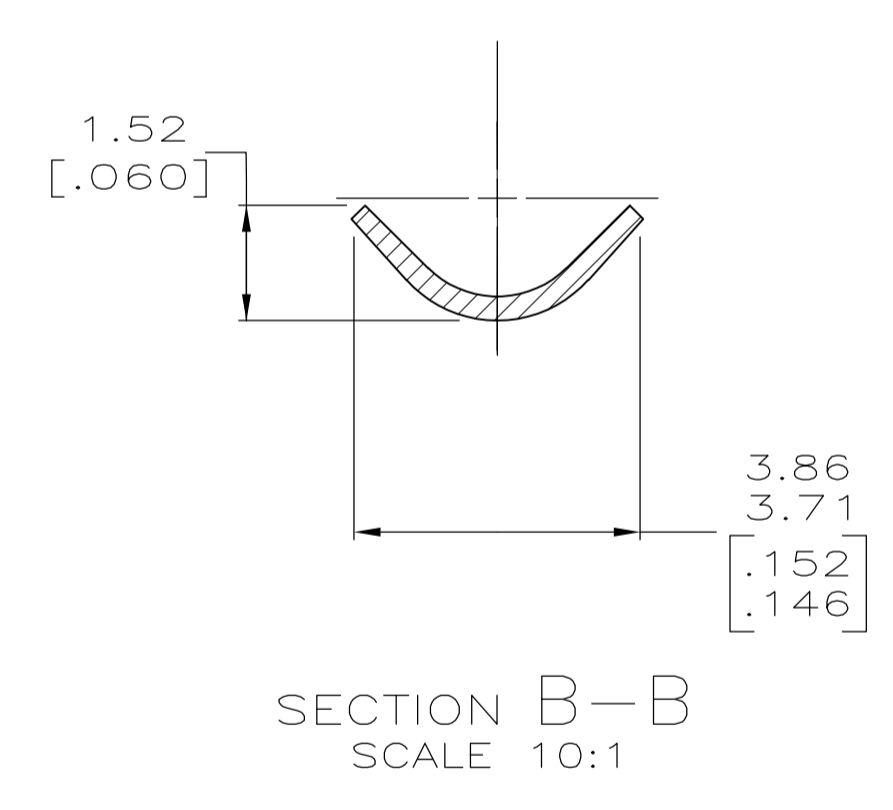
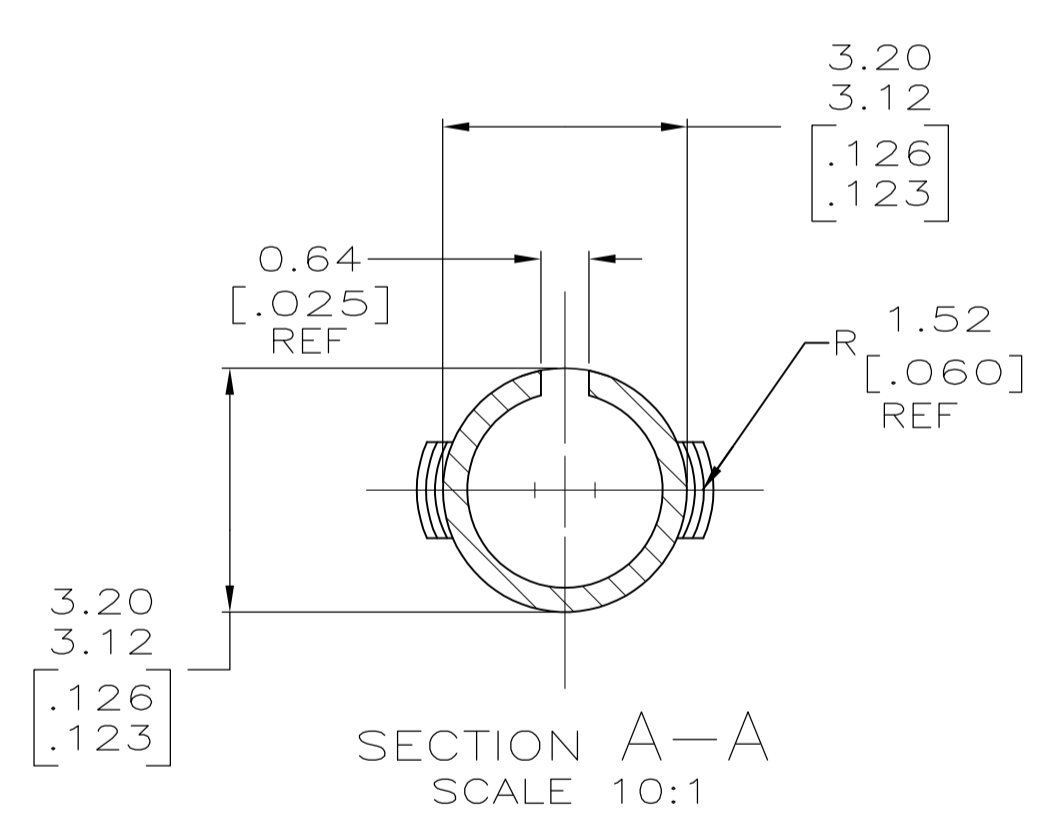
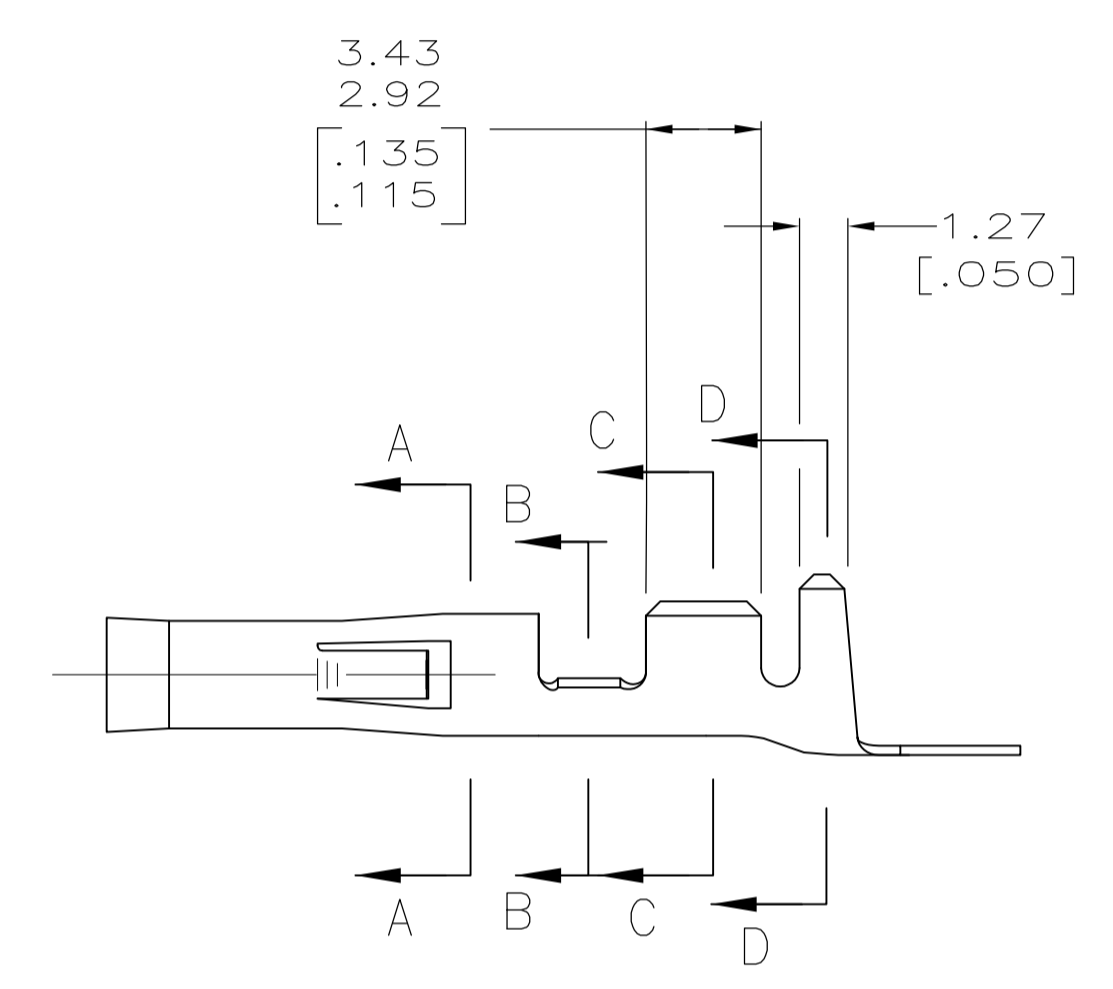
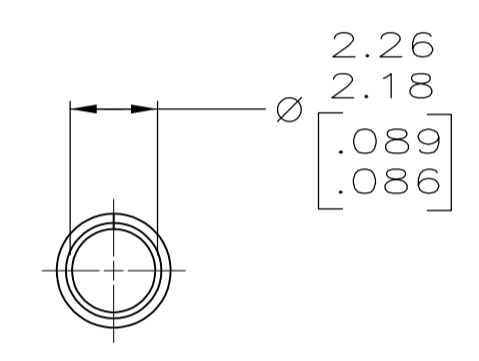


LOC		DIST		REVISIONS			
P	LTR	DESCRIPTION	DATE	DMN	APVD		
AL2	REVISED PER	ECR-18-002042	09FEB2018	BDA	JB		



- 1 WIRE RANGE: 0.5-2mm<sup>2</sup> (20-14 AWG).
- 2 INSULATION RANGE: 3.56 [.140] MAX. DIA.
- 3 DIMENSIONS IN BRACKETS ARE IN INCHES.
- 4 0.00076 [.000030] MIN GOLD STRIPE OVER 0.00127 [.000050] MIN NICKEL ON INSIDE OF SOCKET.
- 5 .00127 [.000050] MIN NICKEL



PRELIMINARY PART NUMBER NOT IN PRODUCTION	FINISH	MATERIAL	PART NO
5	PRE-TIN	0.25 [.010] PHOS BRZ	350415-8
	PRE-TIN	0.25 [.010] PHOS BRZ	350415-6
4	PRE-TIN	0.25 [.010] BRASS	350415-5
	PRE-TIN	0.25 [.010] BRASS	350415-1

THIS DRAWING IS A CONTROLLED DOCUMENT.

DIMENSIONS: mm [INCHES]	TOLERANCES UNLESS OTHERWISE SPECIFIED:	DIN K. WHITAKER 22NOV2005	CHK D. COLEY 22NOV2005	APVD D. COLEY 22NOV2005	NAME
0 PLC ± -	1 PLC ± -	2 PLC ± -	3 PLC ± 0.13 [.005]	4 PLC ANGLES ± ± 0°30'	STE TE Connectivity
MATERIAL SEE TABLE	FINISH SEE TABLE	SIZE	CAGE CODE	DRAWING NO	RESTRICTED TO
		A1	00779	C=350415	
CUSTOMER DRAWING				SCALE 5:1	SHEET 1 OF 1

单击下面可查看定价，库存，交付和生命周期等信息

[>>TE Connectivity\(泰科\)](#)