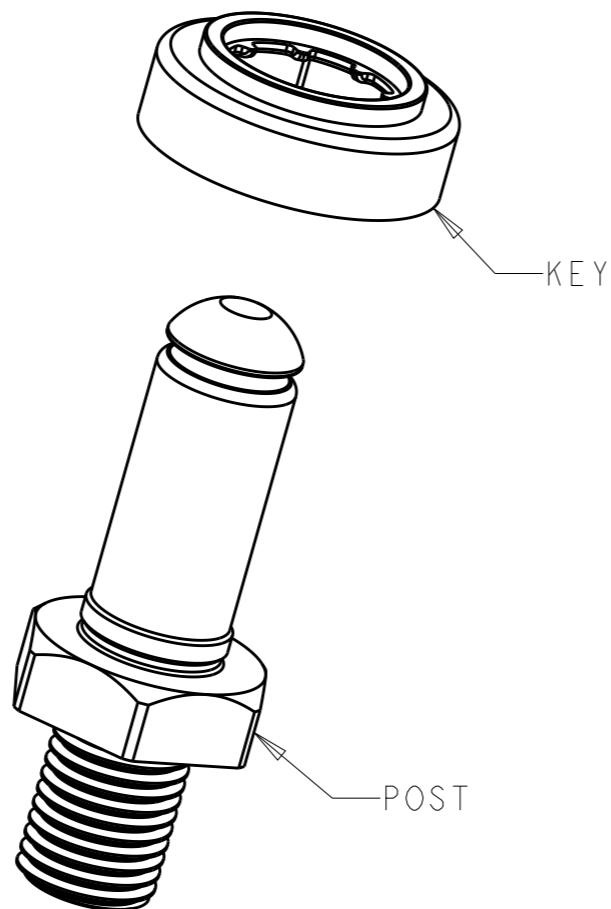
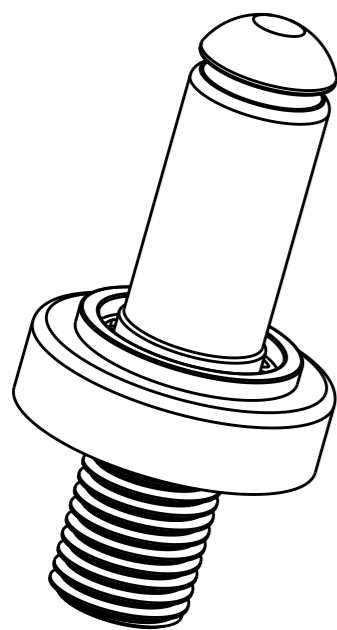


REVISIONS

P	LTR	DESCRIPTION	DATE	DWN	APVD
	B	REV PER ECO 16-014336	10-28-16	CT	PD

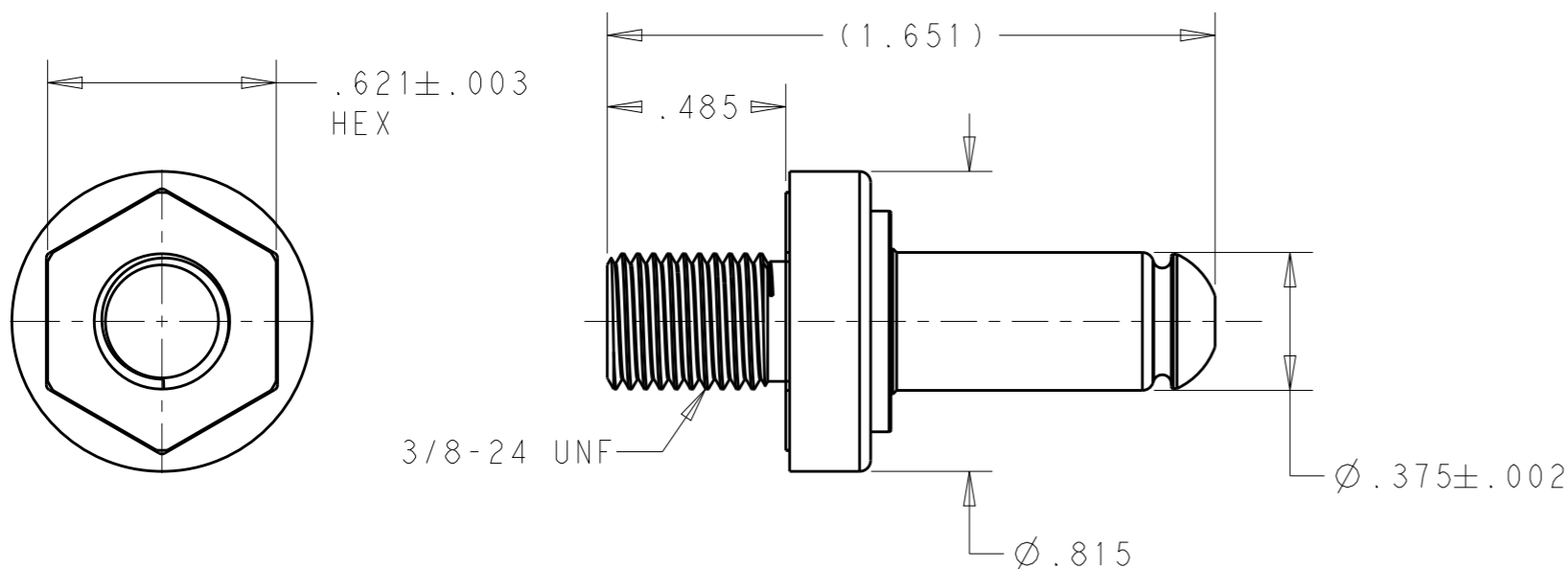


1 KEY: THERMOPLASTIC, COLOR: PER TABLE
POST: COPPER ALLOY

2 POST: SILVER OVER NICKEL

3. DO NOT ASSEMBLE KEY ONTO POST UNTIL POST IS INSTALLED

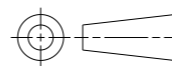
4. KIT WILL CONTAIN:
1 POST
1 KEY



BLACK	2226744-8
RED	2226744-7
BLUE	2226744-6
YELLOW	2226744-5
KEY COLOR	PART NUMBER

THIS DRAWING IS A CONTROLLED DOCUMENT.

DIMENSIONS:
INCHES



TOLERANCES UNLESS OTHERWISE SPECIFIED:

0 PLC	±-
1 PLC	±.1
2 PLC	±.02
3 PLC	±.005
4 PLC	±.0005
ANGLES	±-

MATERIAL



FINISH



DWN 18SEP2014

MCKIBBEN, JOHN

CHK 18SEP2014

OH, LAWRENCE

APVD 17OCT2014

FUJIPONTI, JOHN

PRODUCT SPEC

108-32083

APPLICATION SPEC

114-32130

WEIGHT

.072 lbs

NAME

KIT, SNAP-LUG, KEY AND POST

SIZE

A3

CAGE CODE

-

DRAWING NO

C=2226744

RESTRICTED TO

-

CUSTOMER DRAWING

SCALE 2:1

SHEET 1 OF 1

REV B



单击下面可查看定价，库存，交付和生命周期等信息

[>>TE Connectivity\(泰科\)](#)