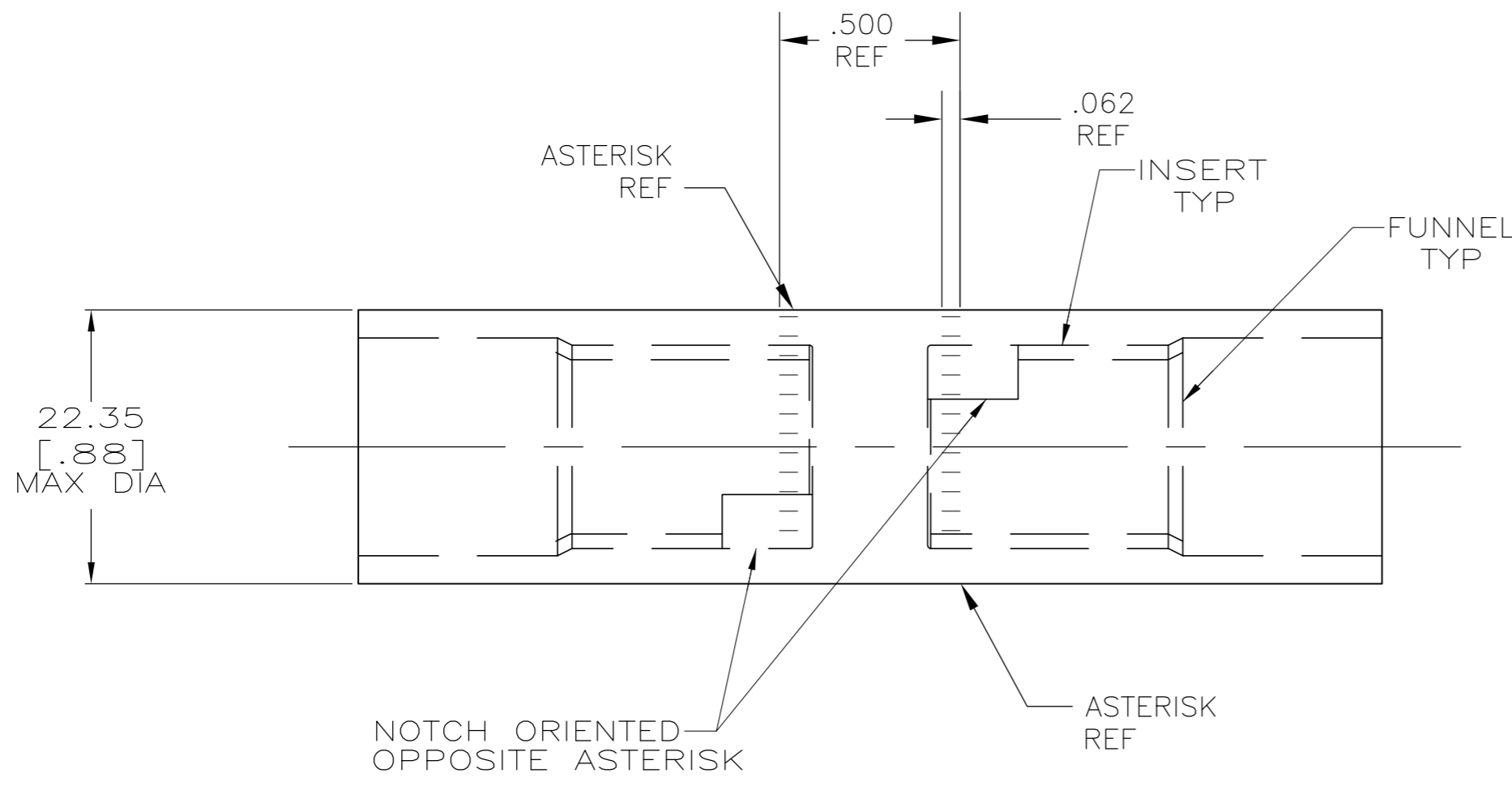
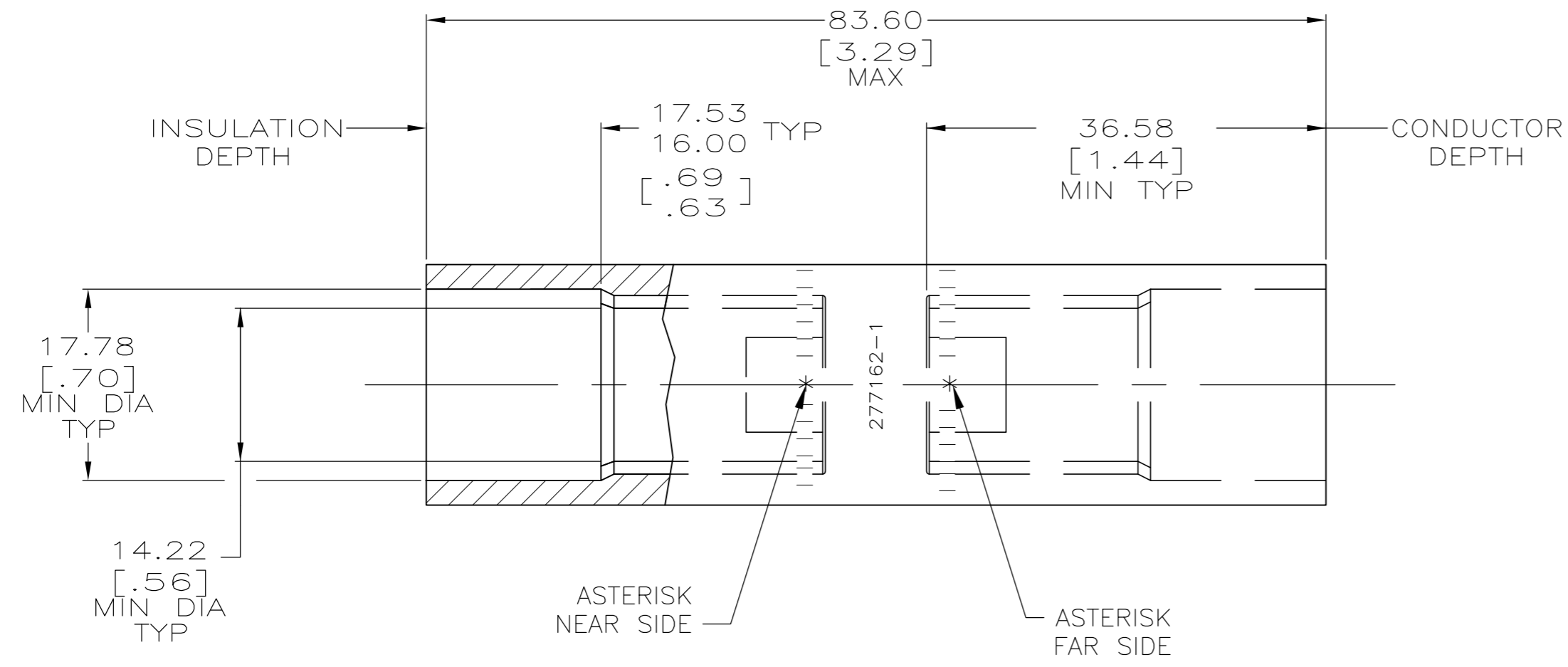


THIS DRAWING IS UNPUBLISHED. RELEASED FOR PUBLICATION  
 © COPYRIGHT - By - ALL RIGHTS RESERVED.

LOC	DIST	REVISIONS					
		P	LTR	DESCRIPTION	DATE	DWN	APVD
G	86	N		REV PER ECO-11-008916	13MAY11	PY	BW

1 WIRE INSULATION: 13.21[.520] - 16.38[.645] DIA  
 △ STAMP " 277162-1 AMP 3/0AL-2/OCU"  
 APPROX AS SHOWN,



SPLICE: COPPER ASTM B-187 TIN PL PER ASTM B-545 0.00381[.000150] MIN THK INSERT & FUNNEL: BRASS ASTM B36 NICKEL PL SAE AMS QQ-N-290A, DATED JULY 2000, 0.00254 [.000100] MIN THK	277162-1
MATERIAL AND FINISH	PART NO

THIS DRAWING IS A CONTROLLED DOCUMENT.		DWN	DK SCHRUM	7/6/89		TE Connectivity		
DIMENSIONS: MM [ INCHES ]		CHK	MS FEHER	1/15/90		NAME		
TOLERANCES UNLESS OTHERWISE SPECIFIED:		APVD	MJ SPICER	1/15/90		WIRE SPLICE, BUTT, COPALUM		
0 PLC ± - 1 PLC ± - 2 PLC ± 0.20[.008] 3 PLC ± - 4 PLC ± - ANGLES ± -		PRODUCT SPEC		108-11011		RESTRICTED TO		
MATERIAL SEE TABLE		FINISH SEE TABLE		APPLICATION SPEC		114-2134		
		WEIGHT		127.5 GRAMS		A2 00779 C=277162		
		CUSTOMER DRAWING		SCALE		2:1 SHEET 1 of 1 REV N		

单击下面可查看定价，库存，交付和生命周期等信息

[>>TE Connectivity\(泰科\)](#)