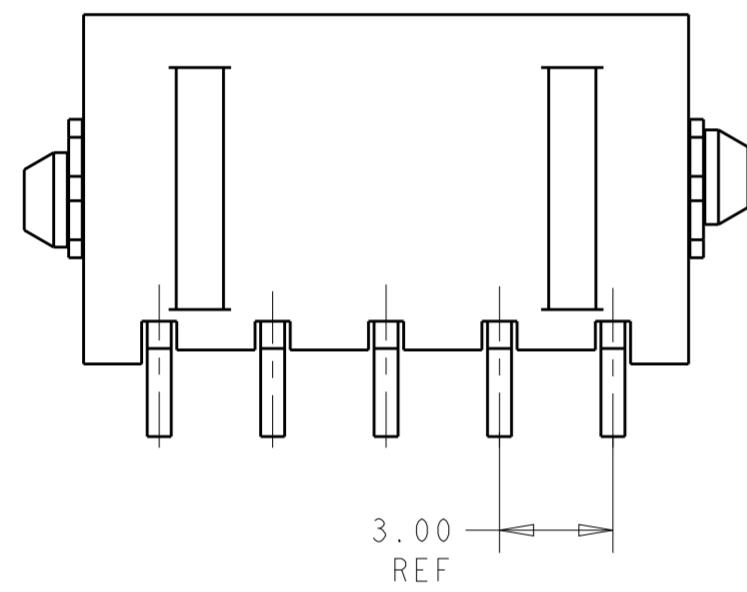
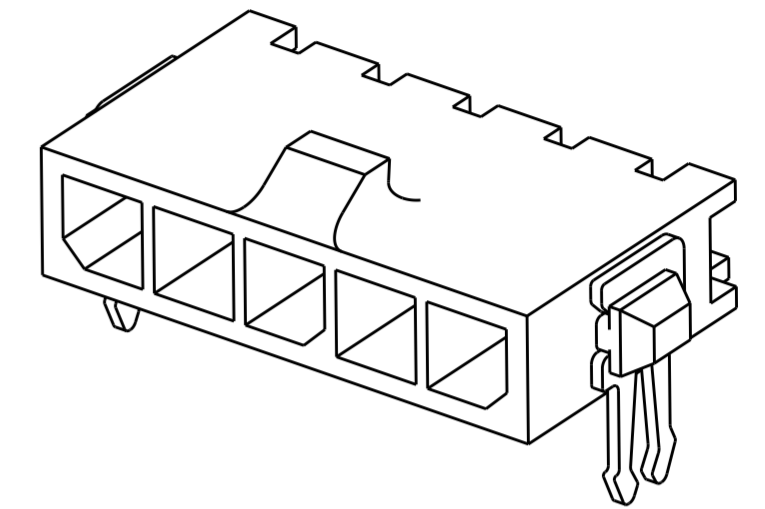
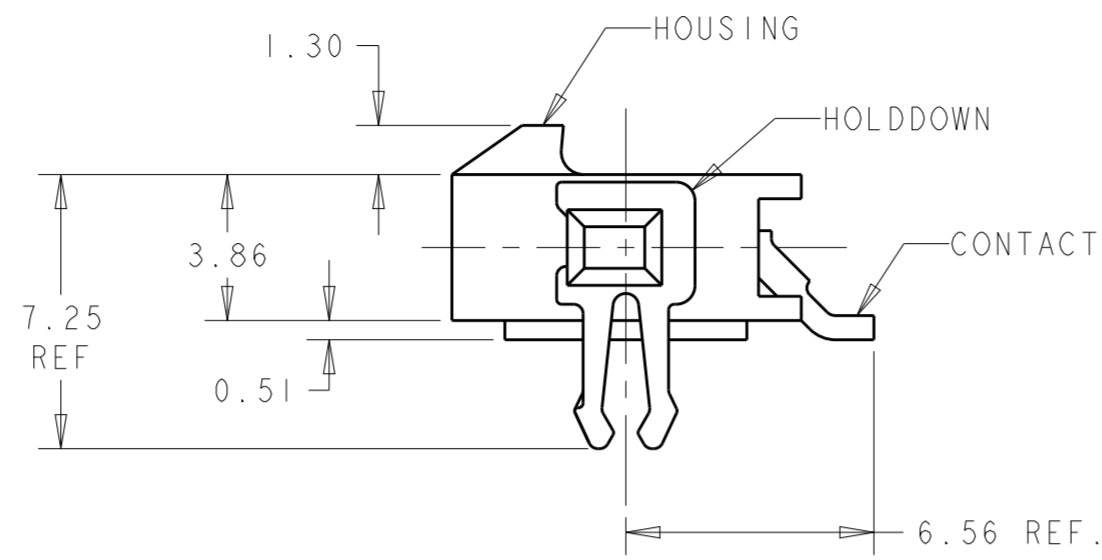
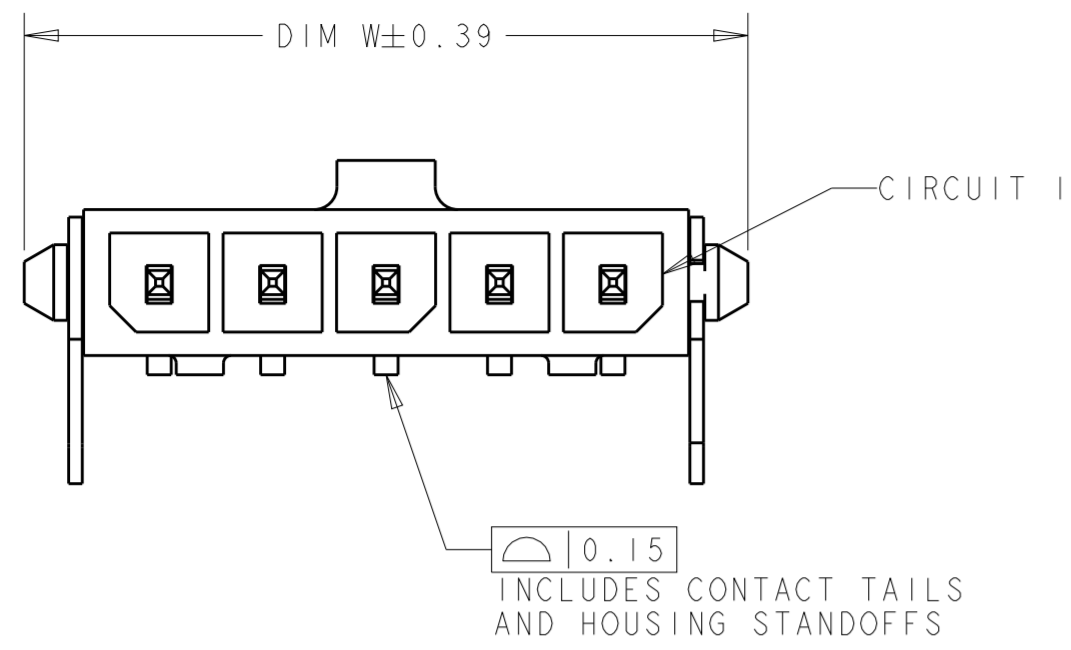


THIS DRAWING IS UNPUBLISHED. RELEASED FOR PUBLICATION
 © COPYRIGHT copyright.d8te- ALL RIGHTS RESERVED.

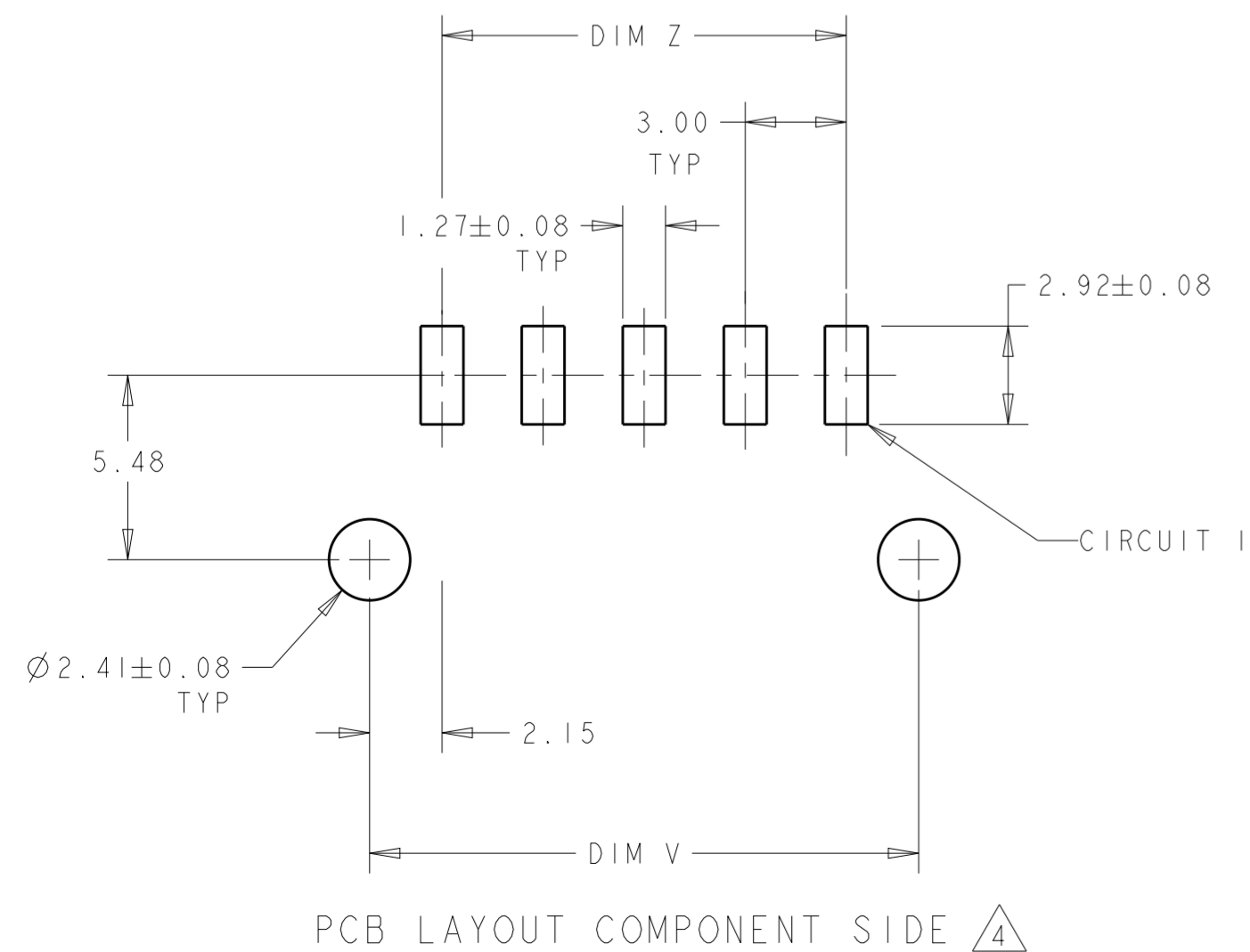
| REVISIONS | | | | | |
|-----------|-----|---------------------------|-----------|-----|------|
| P | LTR | DESCRIPTION | DATE | DWN | APVD |
| B1 | | REVISED PER ECR-16-011494 | 20JUN2017 | NK | CX |
| B2 | | ECO-19-006934 | 13MAY2019 | AP | WS |
| B3 | | REVISED PER ECO-20-010933 | 05AUG2020 | WLS | VS |



- 1 MATERIAL: CONTACTS - BRASS
HOUSING - UL 94V-0 RATED HIGH TEMP NYLON, COLOR BLACK.
HOLDDOWNS: - PHOSPHOR BRONZE.
- 2 PLATING: CONTACTS - 0.38µm MINIMUM GOLD ON MATING END,
2.54µm MINIMUM TIN LEAD ON SOLDER TAILS, BOTH OVER
1.27µm MINIMUM NICKEL.
HOLDDOWNS: 2.54µm MINIMUM TIN-LEAD OVER 1.27µm MINIMUM NICKEL.
- 4 RECOMMENDED PC BOARD THICKNESS OF 1.57.
- 5 PLATING: CONTACTS - 0.38µm MINIMUM GOLD ON MATING END,
2.54µm MINIMUM MATTE TIN ON SOLDER TAILS, BOTH OVER
1.27µm MINIMUM NICKEL.
HOLDDOWNS: 2.54µm MINIMUM MATTE TIN OVER 1.27µm MINIMUM NICKEL.

| | | | | | |
|---|-------|-------|-------|----|-------------|
| 5 | 33.00 | 37.43 | 40.00 | 12 | 3-1445090-2 |
| 5 | 30.00 | 34.43 | 37.00 | 11 | 3-1445090-1 |
| 5 | 27.00 | 31.43 | 34.00 | 10 | 3-1445090-0 |
| 5 | 24.00 | 28.43 | 31.00 | 9 | 2-1445090-9 |
| 5 | 21.00 | 25.43 | 28.00 | 8 | 2-1445090-8 |
| 5 | 18.00 | 22.43 | 25.00 | 7 | 2-1445090-7 |
| 5 | 15.00 | 19.43 | 22.00 | 6 | 2-1445090-6 |
| 5 | 12.00 | 16.43 | 19.00 | 5 | 2-1445090-5 |
| 5 | 9.00 | 13.43 | 16.00 | 4 | 2-1445090-4 |
| 5 | 6.00 | 10.43 | 13.00 | 3 | 2-1445090-3 |
| 5 | 3.00 | 7.43 | 10.00 | 2 | 2-1445090-2 |
| 2 | 33.00 | 37.43 | 40.00 | 12 | +1445090-2- |
| 2 | 30.00 | 34.43 | 37.00 | 11 | +1445090-1- |
| 2 | 27.00 | 31.43 | 34.00 | 10 | +1445090-0- |
| 2 | 24.00 | 28.43 | 31.00 | 9 | +1445090-9- |
| 2 | 21.00 | 25.43 | 28.00 | 8 | +1445090-8- |
| 2 | 18.00 | 22.43 | 25.00 | 7 | +1445090-7- |
| 2 | 15.00 | 19.43 | 22.00 | 6 | +1445090-6- |
| 2 | 12.00 | 16.43 | 19.00 | 5 | +1445090-5- |
| 2 | 9.00 | 13.43 | 16.00 | 4 | +1445090-4- |
| 2 | 6.00 | 10.43 | 13.00 | 3 | +1445090-3- |
| 2 | 3.00 | 7.43 | 10.00 | 2 | +1445090-2- |

SUPERSEDED BY 3-1445090-2
 SUPERSEDED BY 3-1445090-1
 SUPERSEDED BY 3-1445090-0
 SUPERSEDED BY 2-1445090-9
 SUPERSEDED BY 2-1445090-8
 SUPERSEDED BY 2-1445090-7
 SUPERSEDED BY 2-1445090-6
 SUPERSEDED BY 2-1445090-5
 SUPERSEDED BY 2-1445090-4
 SUPERSEDED BY 2-1445090-3
 SUPERSEDED BY 2-1445090-2



THIS DRAWING IS A CONTROLLED DOCUMENT.

DWN J.ROOT 09OCT2000
 CHK K.WHITAKER 17-APR-2001
 APVD C.JONES 17-APR-2001

STC TE Connectivity

NAME RIGHT ANGLE SURF MOUNT HEADER ASSY, 0.38 MIC GOLD CONTACTS, W/THRU HOLE, HOLDDOWNS, SGL ROW, MICRO MATE-N-LOK™

PRODUCT SPEC 108-1836
 APPLICATION SPEC 114-13000

SIZE A2 CAGE CODE 00779 DRAWING NO G-1445090 RESTRICTED TO -

MATERIAL SEE TABLE FINISH

WEIGHT -

CUSTOMER DRAWING SCALE 5:1 SHEET 1 OF 1 REV B3

单击下面可查看定价，库存，交付和生命周期等信息

[>>TE Connectivity\(泰科\)](#)