

LOC	DIST	REVISIONS					
H	—	P	LTR	DESCRIPTION	DATE	DWN	APVD
			O	INITIAL RELEASE	—	—	—
			A	ECR-09-000201	19-01-09	AEG	KMA


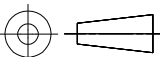
REFERENCE 136506-1		
DESIGNATION	REFERENCE	QTE
CONNECTEUR	1658671-1	42
CAPOT	737431-2	42

VOIR LES DETAILS DE CHACUN DES COMPOSANTS  
SUR LES PLANS CLIENTS CONCERNES

THIS DRAWING IS UNPUBLISHED.

ALL INTERNATIONAL RIGHTS RESERVED.

© COPYRIGHT - BY TYCO ELECTRONICS CORPORATION.

DIMENSIONS: mm	DWN	28JAN97	MATERIAL	—	FINISH	—	
	CHK	J.ALVES	04FEB97	 Tyco Electronics Corporation 's-Hertogenbosch, Nederland			
TOLERANCES UNLESS OTHERWISE SPECIFIED:		APVD	G.ROBERT				04FEB97
0 PLC ± - 1 PLC ± - 2 PLC ± - 3 PLC ± - 4 PLC ± - ANGLES ± -	PRODUCT SPEC —		NAME KIT HD 22				
		APPLICATION SPEC —		SIZE	CAGE CODE	DRAWING NO	RESTRICTED TO
WEIGHT		—		A4	00779	Ⓒ 136506	—
CUSTOMER DRAWING				SCALE	NTS	SHEET	1 OF 1
						REV	A

单击下面可查看定价，库存，交付和生命周期等信息

[>>TE Connectivity\(泰科\)](#)