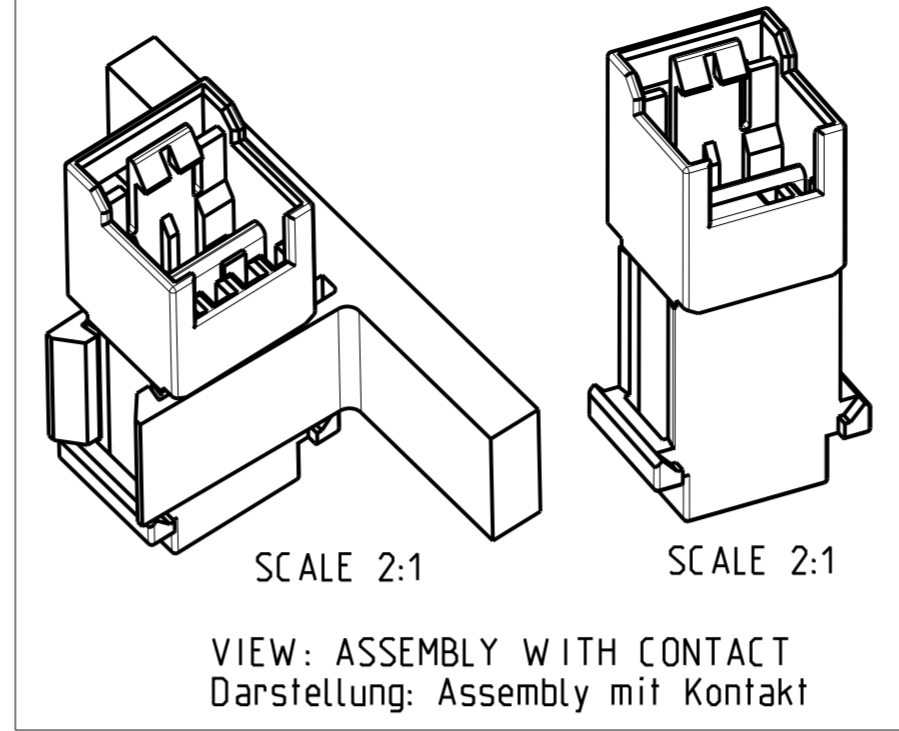
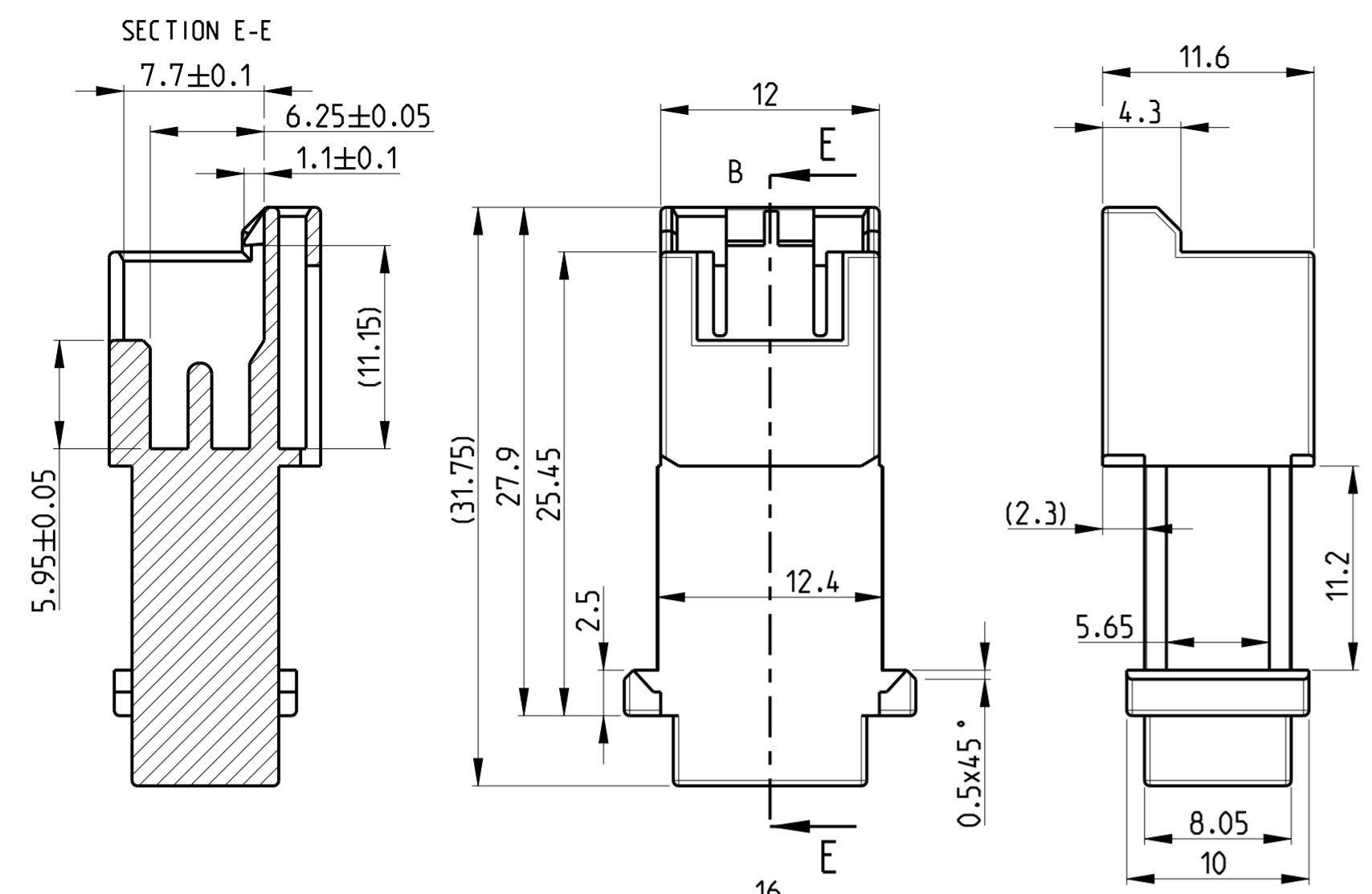
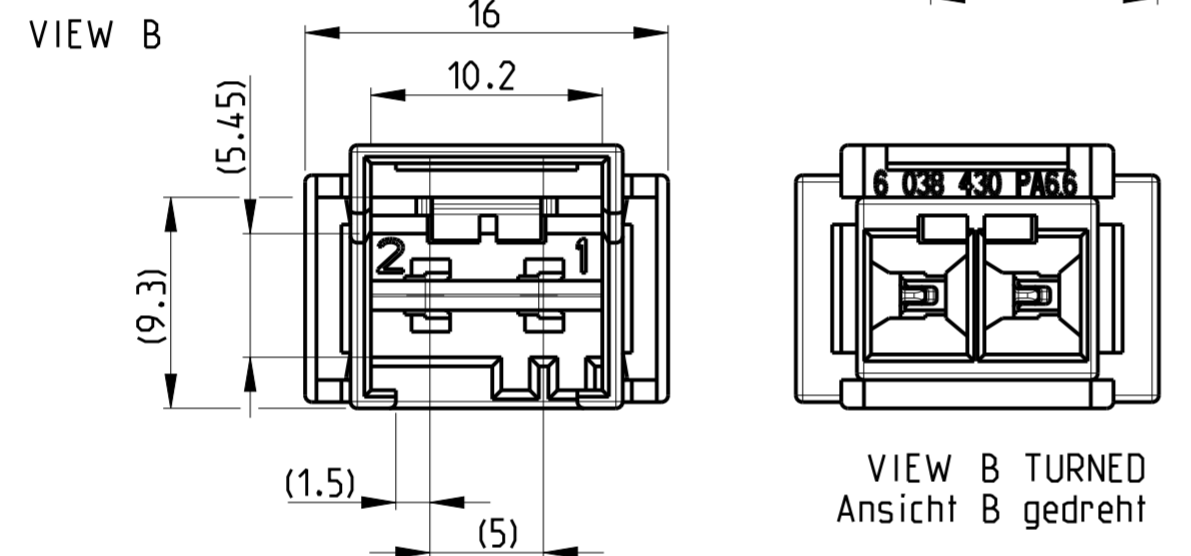
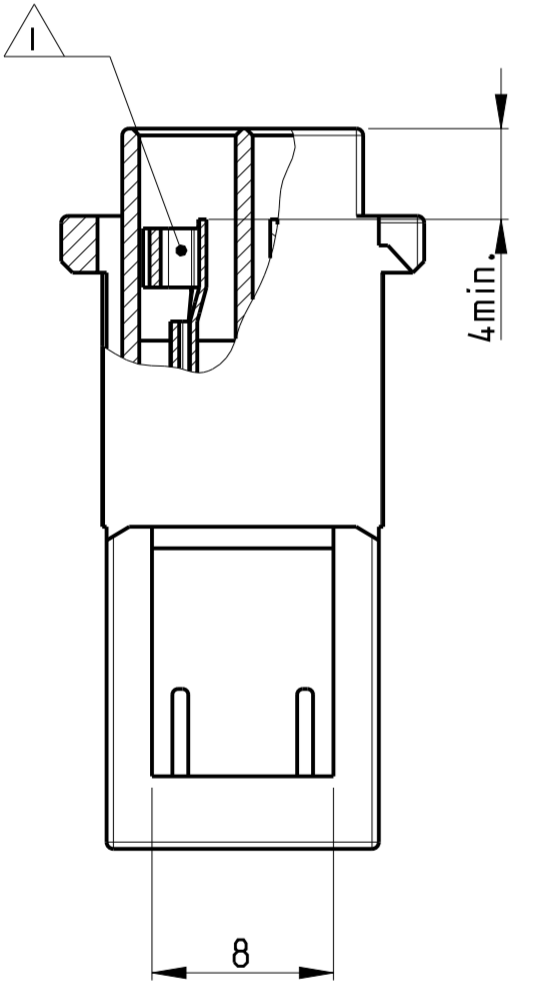


THIS DRAWING IS UNPUBLISHED. RELEASED FOR PUBLICATION 2003
 © COPYRIGHT 2003 BY TYCO ELECTRONICS CORPORATION. ALL RIGHTS RESERVED.

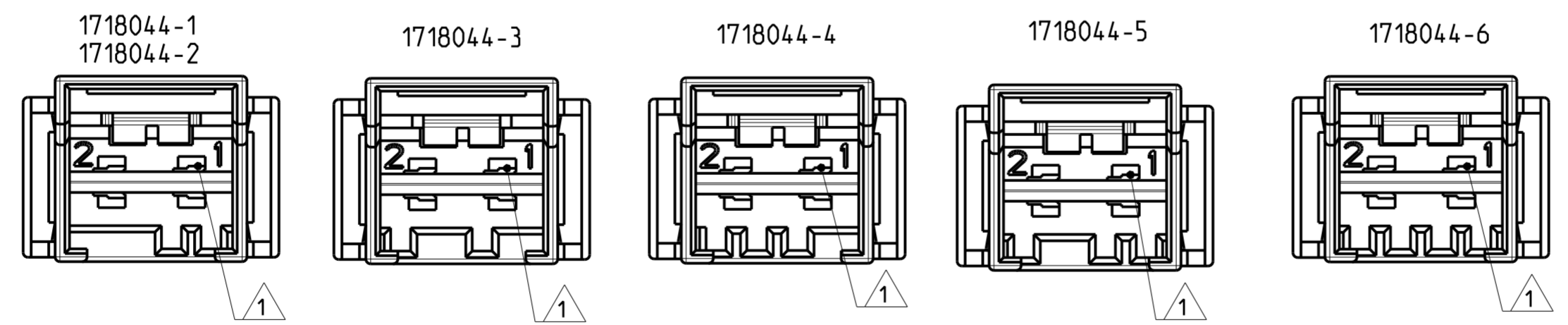
LOC		DIST		REVISIONS			
P	LTR	DESCRIPTION	DATE	DWN	APVD		
A1	-	B9	ECR-20-011255	11AUG2020	LZ	WW	



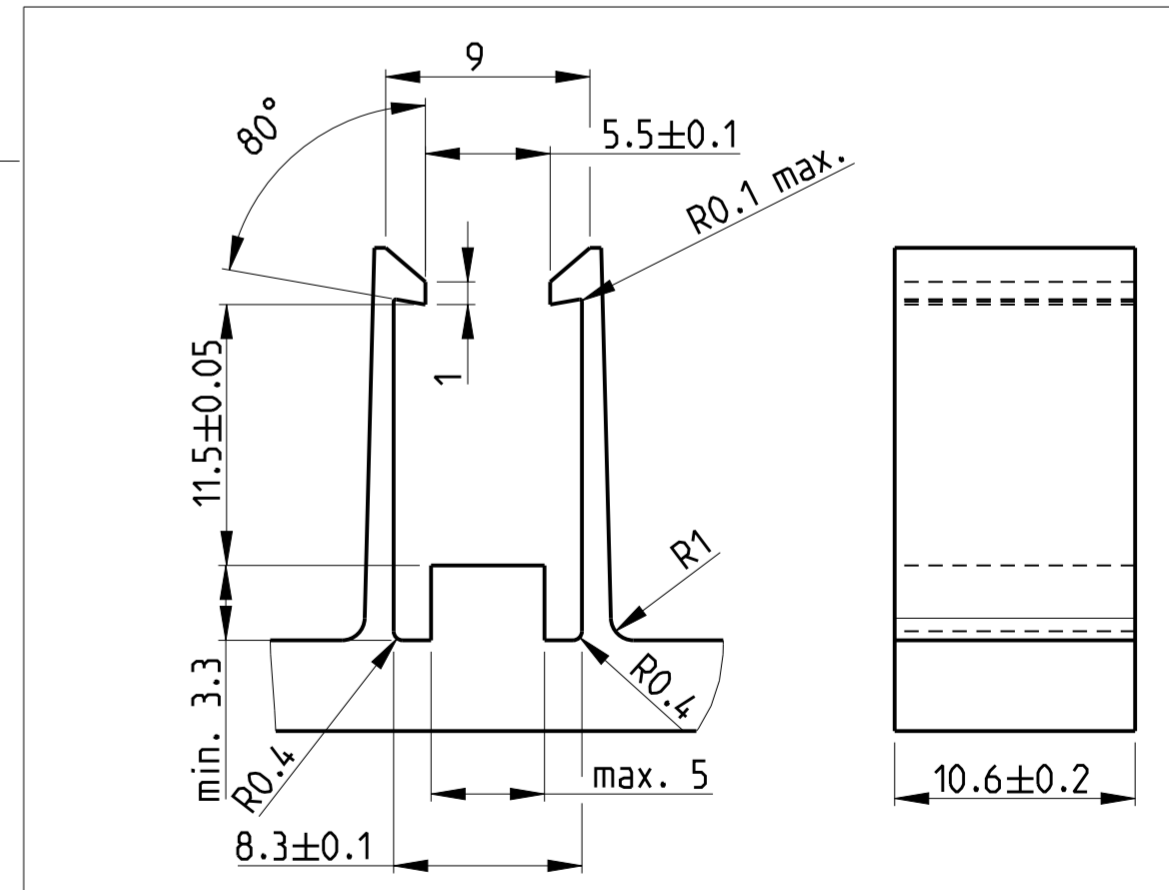
- NOTE
- 1 CAVITY DESIGNED FOR TAB CONTACT NO. 284798-1 0.5 mm² - 0.75 mm² (20 - 18 AWG) OR 293322-1 FOR WIRE RANGE 0.3 - 0.8 mm² (22 - 18 AWG) OR 1955441-1 FOR WIRE RANGE 0.2 - 0.5 mm² (24 - 20 AWG).
 - 2 RECOMMENDED MATING CONNECTOR FAMILIES INCLUDE DUO-PLUG MK II AND DUO-PLUG POWER SEE TABLE FOR RIB REMOVAL FOR MATING CONNECTOR
 - 3 IEC 60695-2-11 / IEC 60335-1 GLOW WIRE TEST 750 °C WITHOUT FLAME
 - 4 KEYING PATTERN: SEE TABLE
 - 5 PRELIMINARY PART - NOT YET RELEASED FOR PRODUCTION



Keying Scheme



/	a. b. c. d	NATURE. SIMILAR RAL 9010 Natur, aehnlich RAL 9010	PA 6 UL94 V-2	3	0-1718044-6
c	a. b. d	NATURE. SIMILAR RAL 9010 Natur, aehnlich RAL 9010	PA 6 UL94 V-2	3	0-1718044-5
a	b.c.d	NATURE. SIMILAR RAL 9010 Natur, aehnlich RAL 9010	PA 6 UL94 V-2	3	0-1718044-4
a.c	b.d	NATURE. SIMILAR RAL 9010 Natur, aehnlich RAL 9010	PA 6 UL94 V-2	3	0-1718044-3
c.d	a.b	NATURE. SIMILAR RAL 9010 Natur, aehnlich RAL 9010	PA 6 UL94 V-2	3	0-1718044-2
c.d	a.b	NATURE Natur	PA 6.6 UL94 V-2		0-1718044-1
MATING CONNECTOR	2	KEYING	4	COLOUR/Farbe	MATERIAL
					PN/Bestell-Nr.



THE LOCKING HOOK PART IS NOT INCLUDED. INFORMATION FOR REFERENCE ONLY.
 Die Rasthaken sind nicht Auftragsbestandteil. Die Angaben dienen lediglich als Beispiel.

<small>THIS DRAWING IS A CONTROLLED DOCUMENT FOR TYCO ELECTRONICS CORPORATION IT IS SUBJECT TO CHANGE AND THE CONTROLLING ENGINEERING ORGANIZATION SHOULD BE CONTACTED FOR THE LATEST REVISION.</small>		DWN GERLACH 29SEP2003 CHK SCHNAUBELT 29SEP2003 APVD KLENNER 29SEP2003	Tyco Electronics Tyco Electronics AMP GmbH D - 64625 Bensheim
DIMENSIONS: mm 	TOLERANCES UNLESS OTHERWISE SPECIFIED: 0 PLC ± 1 PLC ±0.1 2 PLC ±0.05 3 PLC ± 4 PLC ± ANGLES ± FINISH ±	NAME 2 POSN. TABHEADER HOUSING FOR DUOPLUG CONNECTOR APPLICATION SPEC WEIGHT CUSTOMER DRAWING	SIZE A2 CAGE CODE 00779 DRAWING NO C-1718044 RESTRICTED TO SCALE 3:1 SHEET 1 OF 1 REV B9

单击下面可查看定价，库存，交付和生命周期等信息

[>>TE Connectivity\(泰科\)](#)