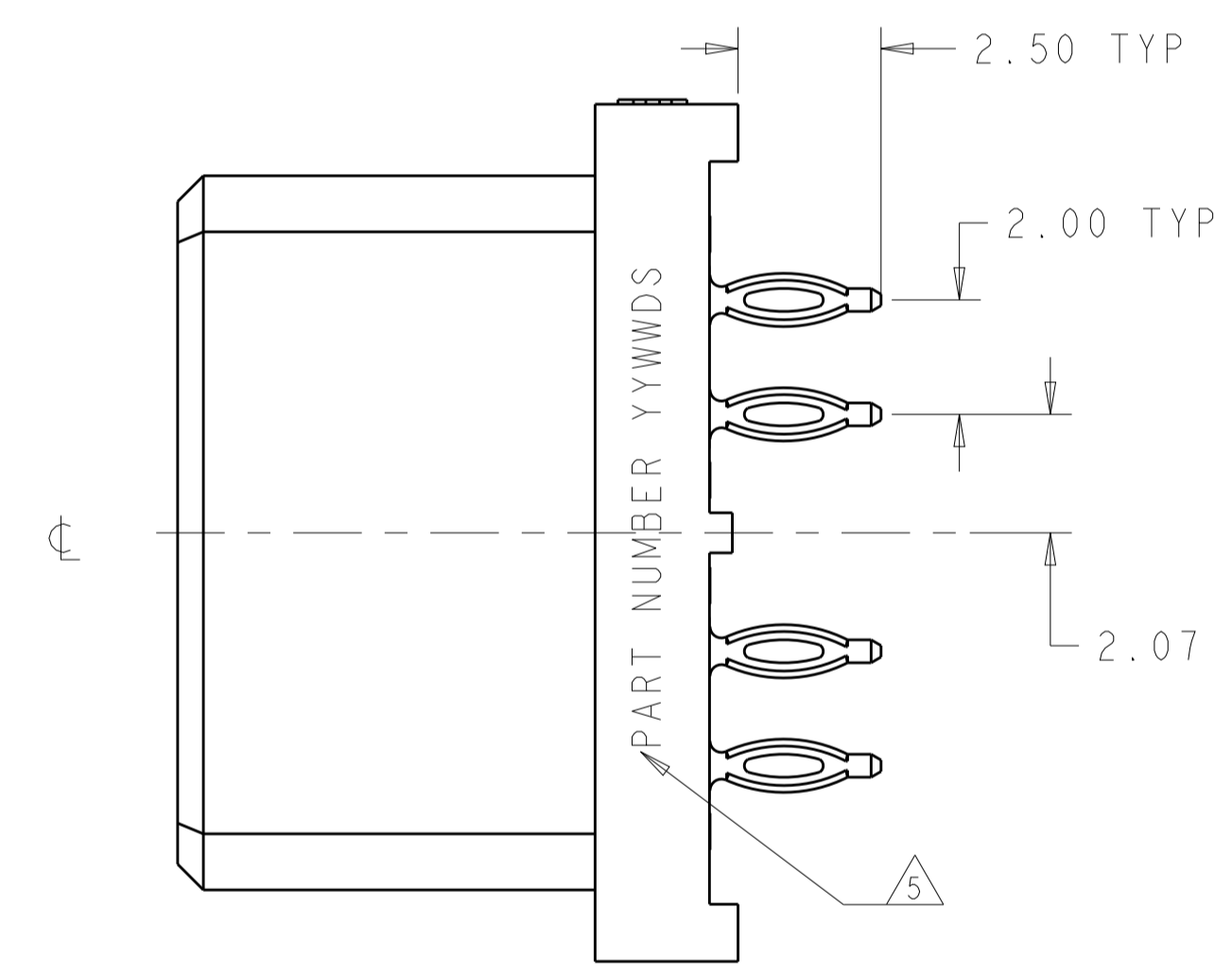
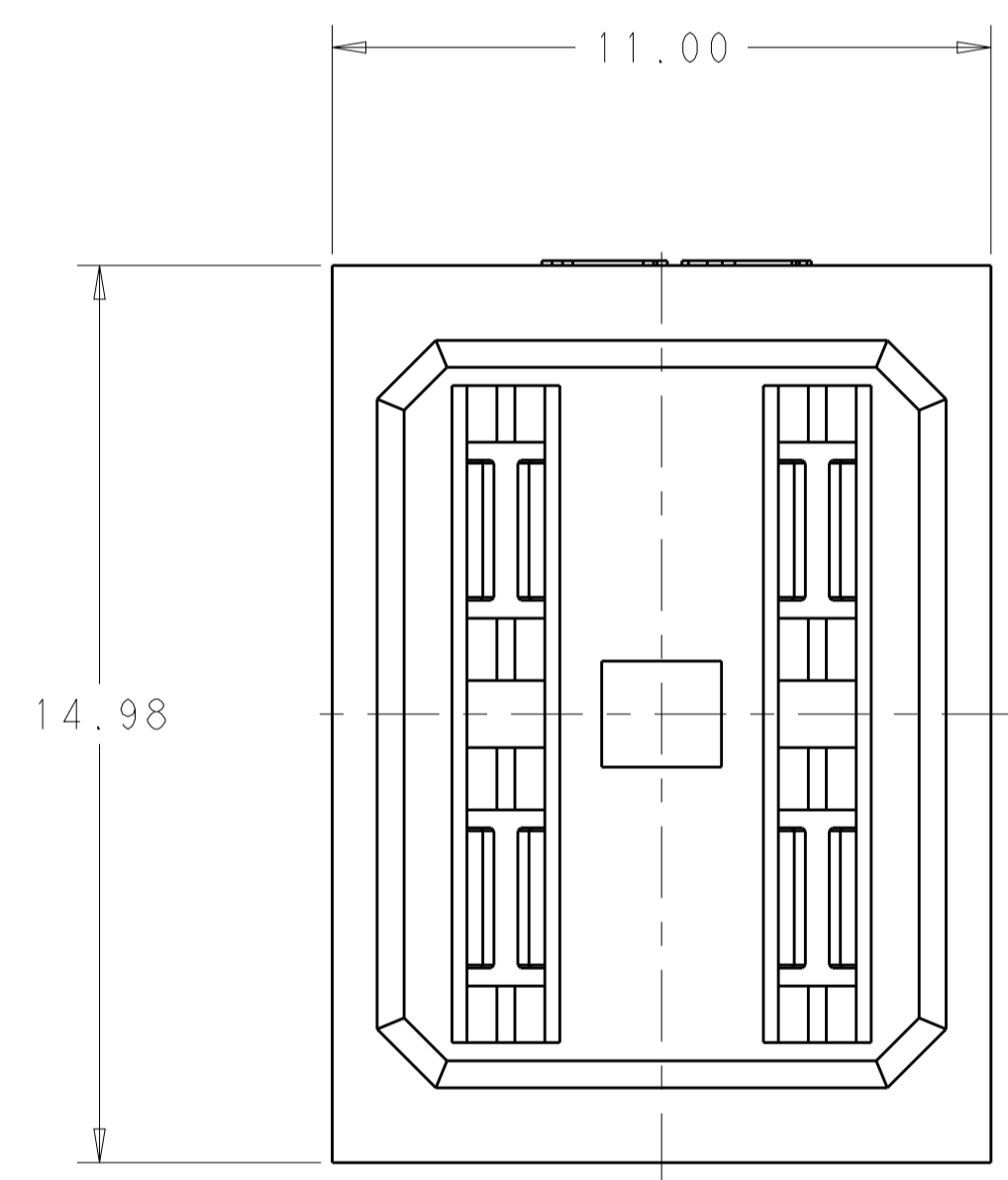
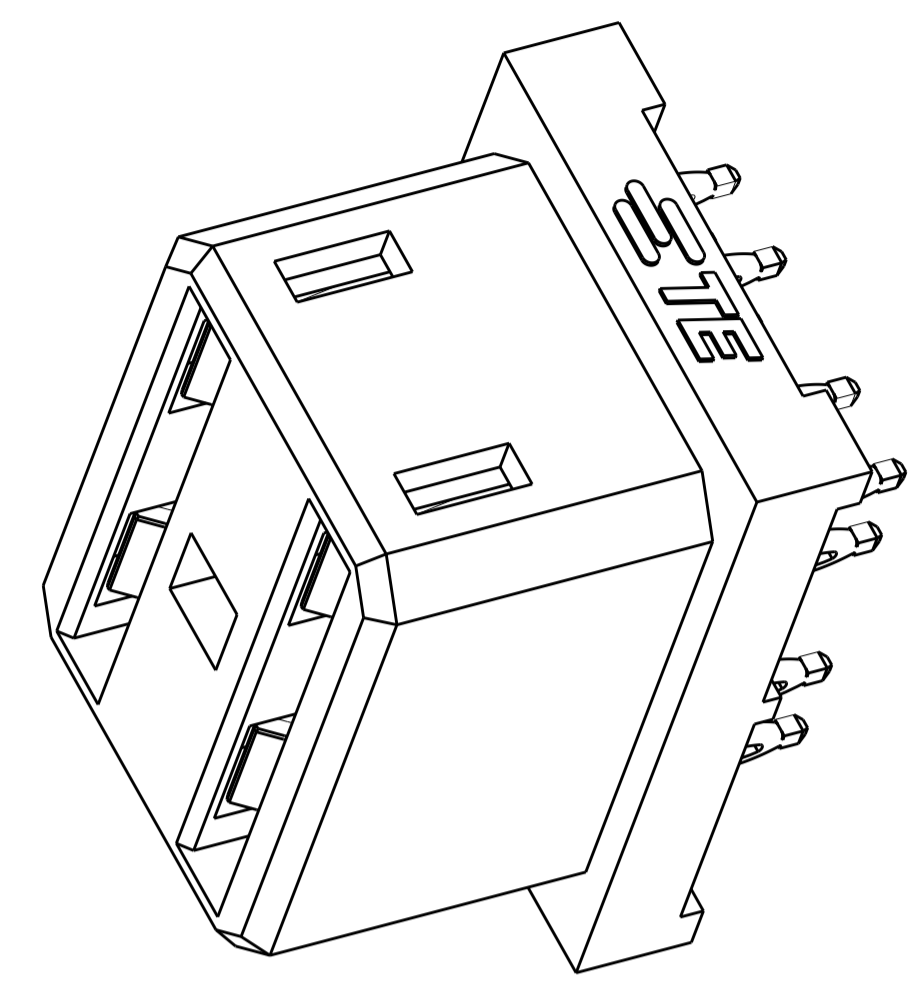
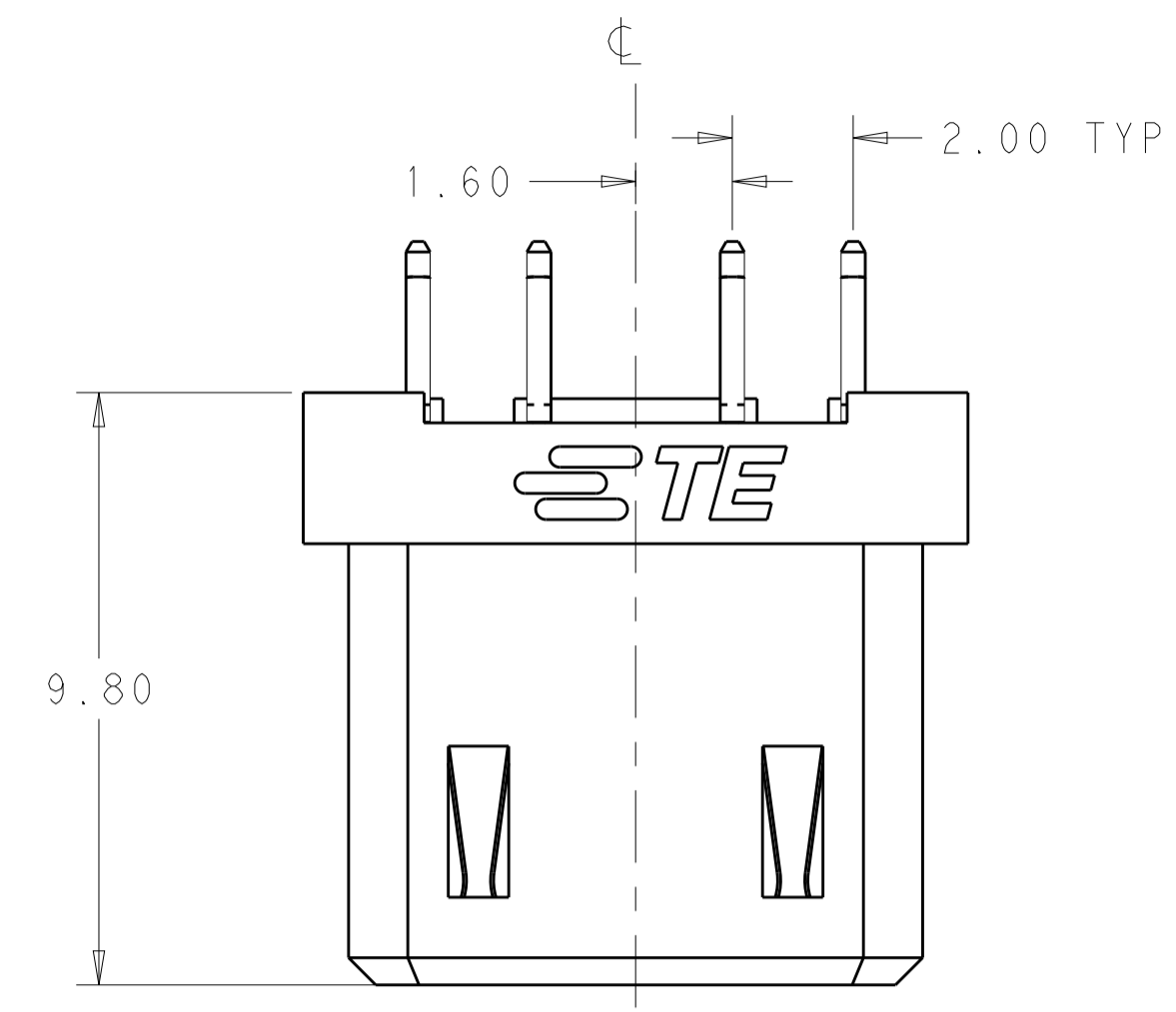


LOC		DIST		REVISIONS			
		P	LTN	DESCRIPTION	DATE	DWN	APVD
		A		INITIAL RELEASE	07JUN2012	LW	AC
		A1		REV PER ECR-12-013085	20JULY2012	LW	AC



NOTES:

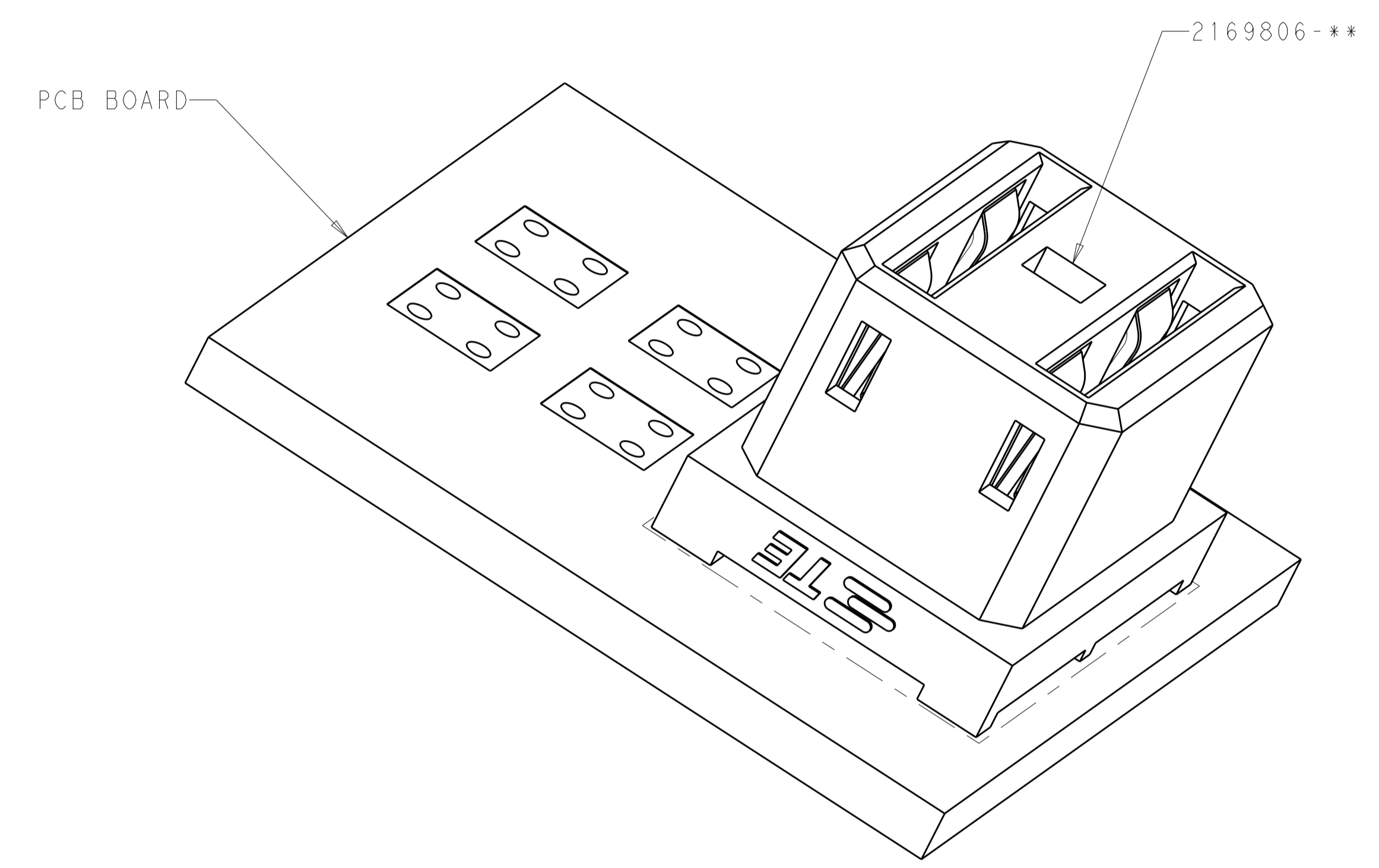
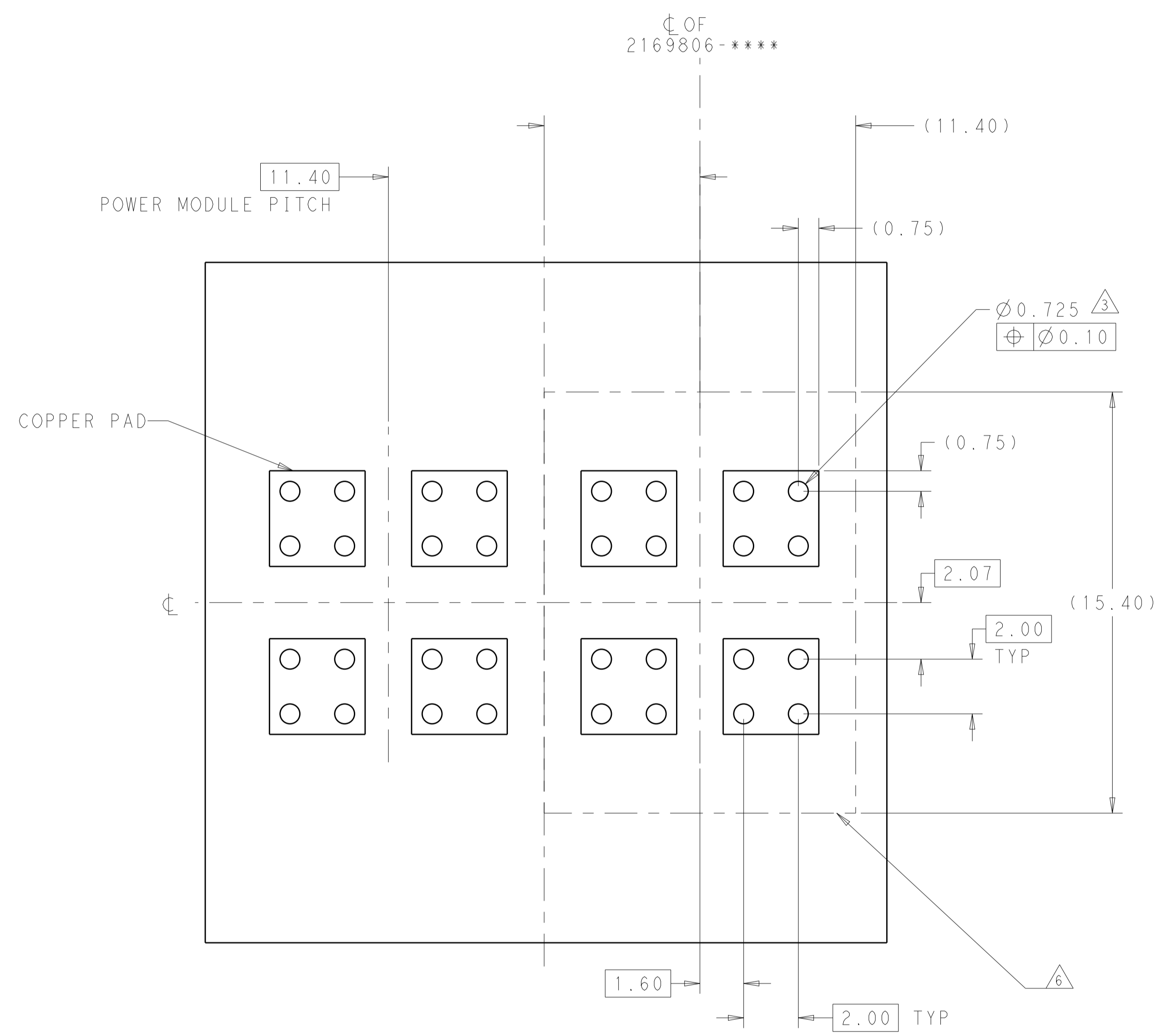
1. MATERIALS:  
 HOUSING: HIGH TEMP, THERMOPLASTIC GLASS/MINERAL FILLED UL94V-0.  
 CONTACT: COPPER ALLOY
2. FINISH OPTION  
 TIN OPTION: 0.76um MINIMUM GOLD AT CONTACT AREA  
 2.54um MINIMUM NICKEL UNDERPLATE OVER ALL  
 TIN AT TAIL AREA.  
 TIN-LEAD OPTION: 0.76um MINIMUM GOLD AT CONTACT AREA  
 2.54um MINIMUM NICKEL UNDERPLATE OVER ALL  
 TIN-LEAD AT TAIL AREA..
3. PCB NOTE FOR DIAMETER 0.725mm PLATED HOLE.  
 -DRILLED HOLE SIZE IS 0.838mm  
 -PLATED WITH 0.007mm MIN. TIN OVER.  
 0.03 TO 0.08mm COPPER UNDERPLATE TO ACHIEVE  
 0.725±0.075mm HOLE.
4. MATES WITH 2169797-\*\*\*.
5. PART NUMBER AND DATE CODE AT ASSEMBLY AREA AS APPROXIMATE SHOWN.
6. KEEP OUT ZONE FROM OTHER COMPONENTS.

OBSOLETE	TRAY	TIN-LEAD PLATING	5-2169806-1
		TIN PLATING	2169806-1
PACKAGING	PLATING OPTION	PART NUMBER	

THIS DRAWING IS A CONTROLLED DOCUMENT.		DWN	12MAY2011	<b>STE</b> TE Connectivity	
DIMENSIONS:		CHK	12MAY2011		
TOLERANCES UNLESS OTHERWISE SPECIFIED:		APVD	12MAY2011		
mm		JIC			
0 PLC	±	PRODUCT SPEC		IMPACT POWER, 3 PAIR VERTICAL RECEPTACLE PRESS-FIT	
1 PLC	±.25	108-2473			
2 PLC	±.25	APPLICATION SPEC			
3 PLC	±.25	114-32028			
4 PLC	±.25	SIZE	CAGE CODE	DRAWING NO	RESTRICTED TO
ANGLES	±°	WEIGHT	A100779	C=2169806	-
MATERIAL		FINISH	CUSTOMER DRAWING		SCALE
			1:1	SHEET	1 OF 2
				REV	A1

LOC		DIST		REVISIONS			
P	LTH	DESCRIPTION	DATE	DWN	APVD		
-	-	SEE SHEET 1	-	-	-		

RECOMMENDED PCB LAYOUT  
 (COMPONENT SIDE SHOWN)  
 MINIMUM BOARD THICKNESS: 1.60mm



CONNECTOR MATES WITH PCB

THIS DRAWING IS A CONTROLLED DOCUMENT.		DWN: AY 12MAY2011	TE Connectivity
DIMENSIONS: mm		CHK: SZ 12MAY2011	
		APVD: JHC 12MAY2011	
TOLERANCES UNLESS OTHERWISE SPECIFIED:		PRODUCT SPEC	NAME
0 PLC ±.0	1 PLC ±.05	108-2473	IMPACT POWER, 3 PAIR VERTICAL RECEPTACLE PRESS-FIT
2 PLC ±.10	3 PLC ±.15	APPLICATION SPEC	SIZE CAGE CODE DRAWING NO RESTRICTED TO
4 PLC ±.20	ANGLES ±.5°	114-32028	A100779C=2169806
MATERIAL: -	FINISH: -	WEIGHT: -	CUSTOMER DRAWING
		SCALE: 5:1	SHEET 2 OF 2 REV: A1

单击下面可查看定价，库存，交付和生命周期等信息

[>>TE Connectivity\(泰科\)](#)