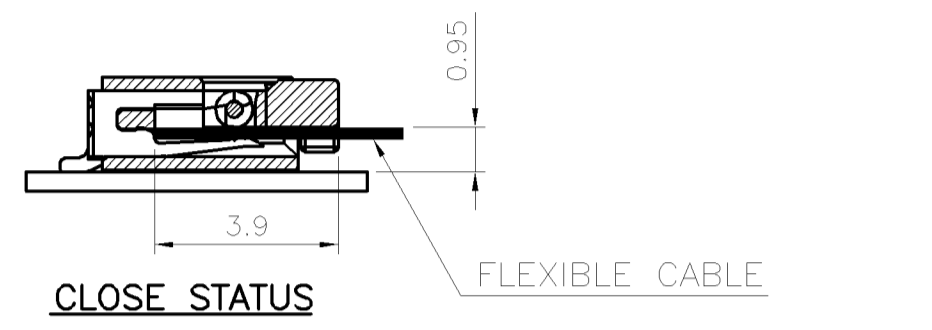
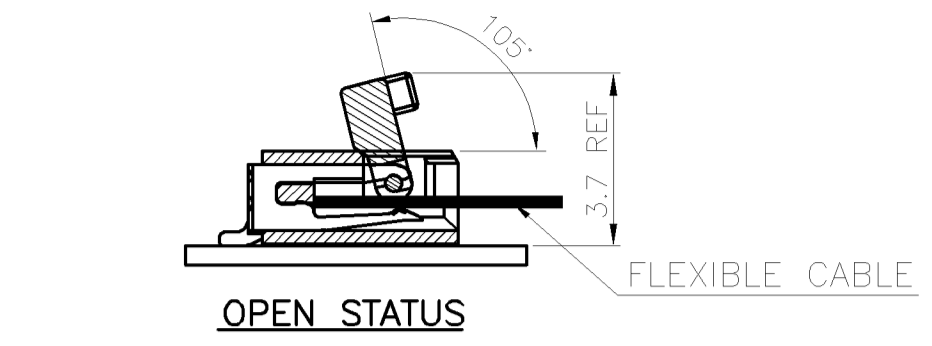
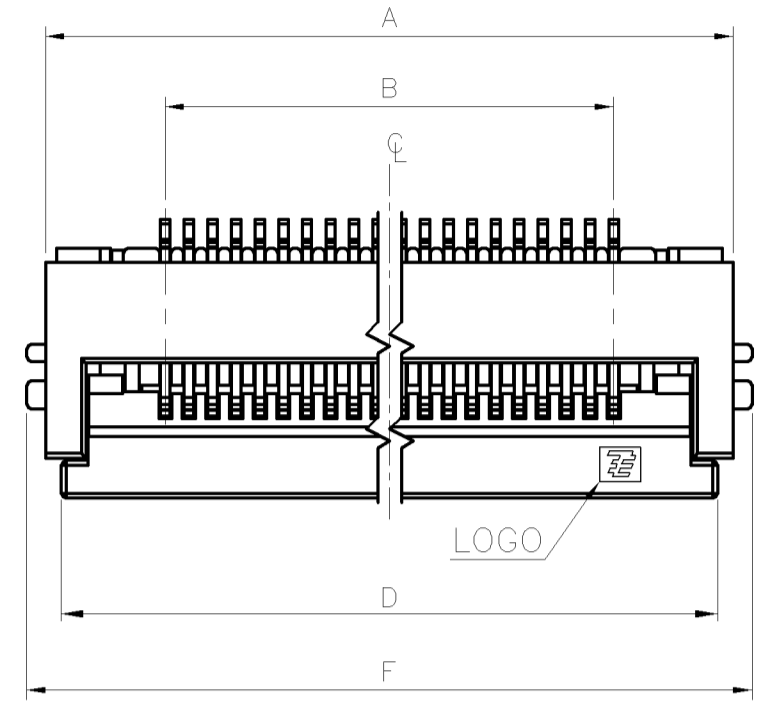
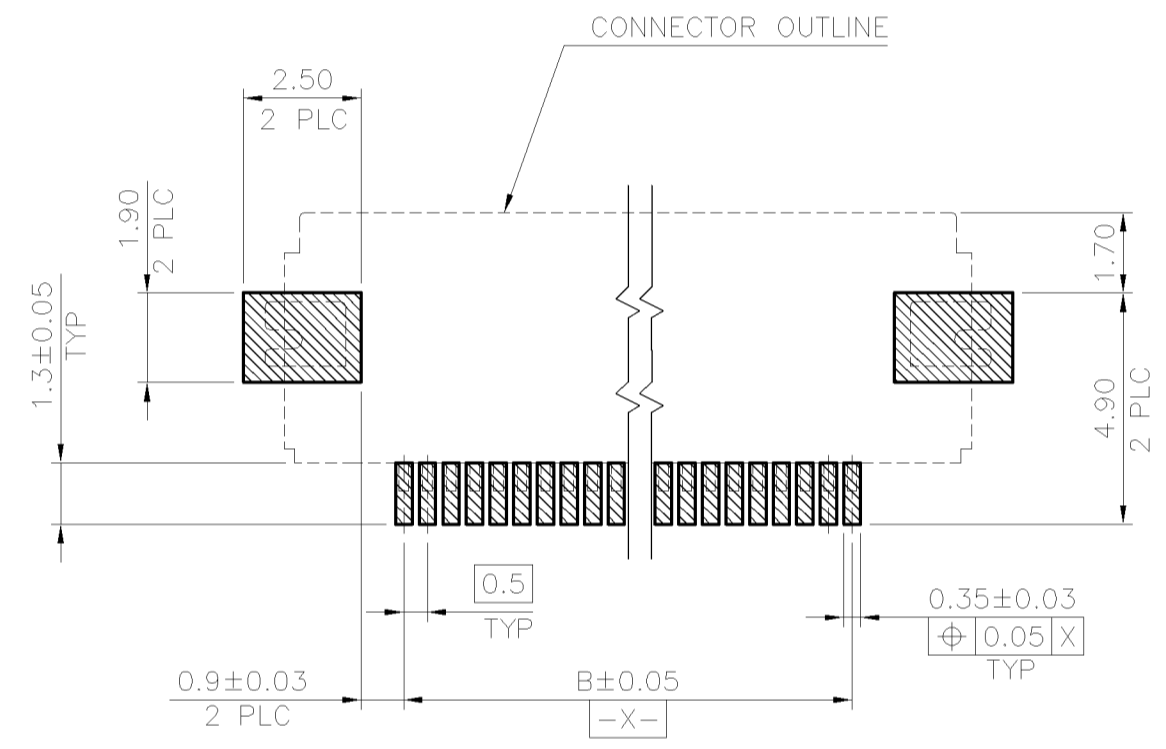
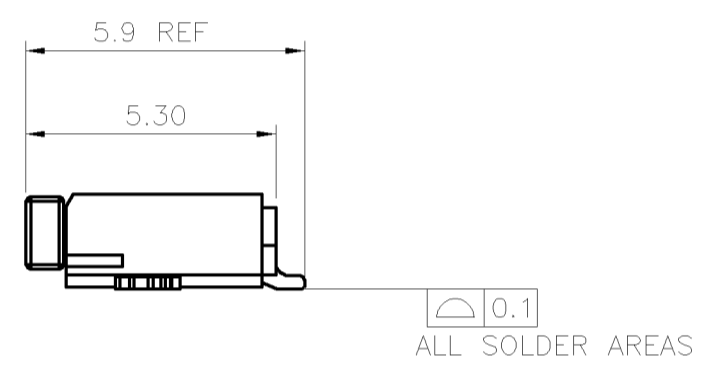
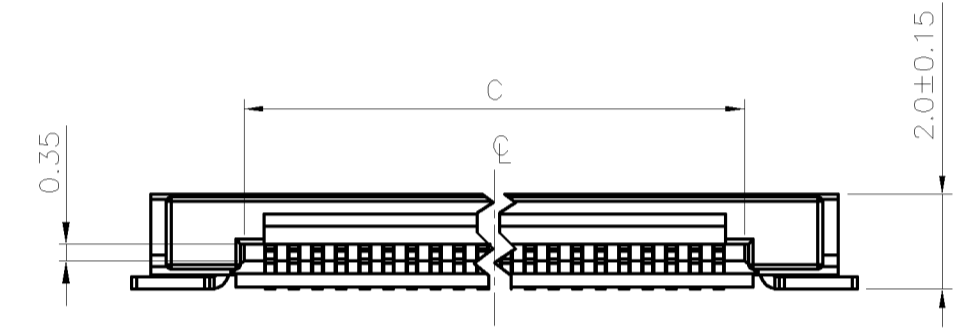


THIS DRAWING IS UNPUBLISHED. RELEASED FOR PUBLICATION
 © COPYRIGHT 2010 BY TYCO ELECTRONICS CORPORATION. ALL RIGHTS RESERVED.

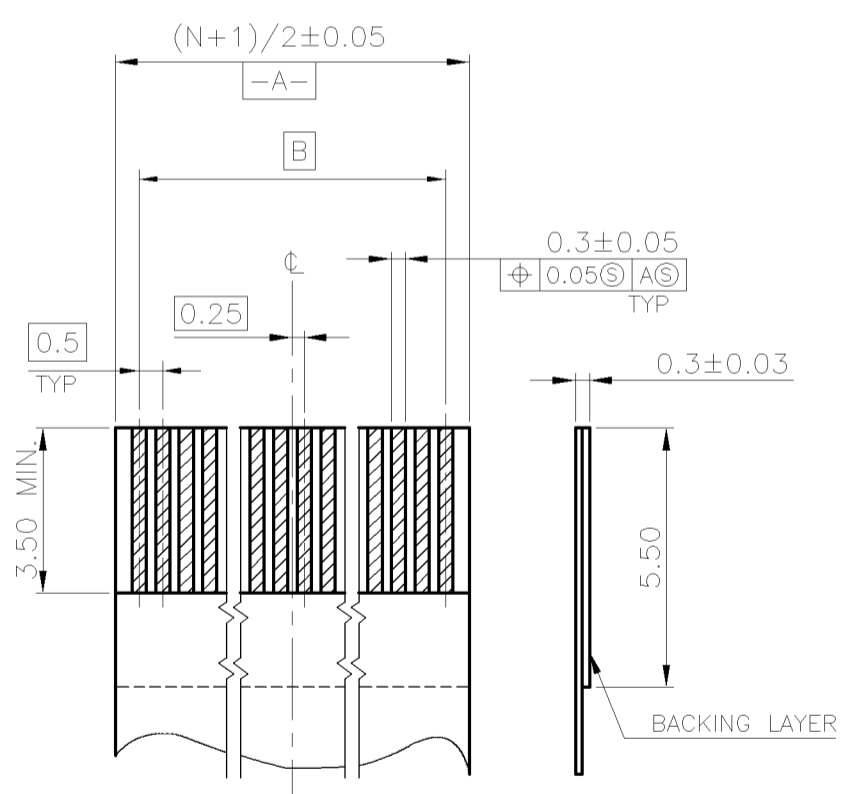
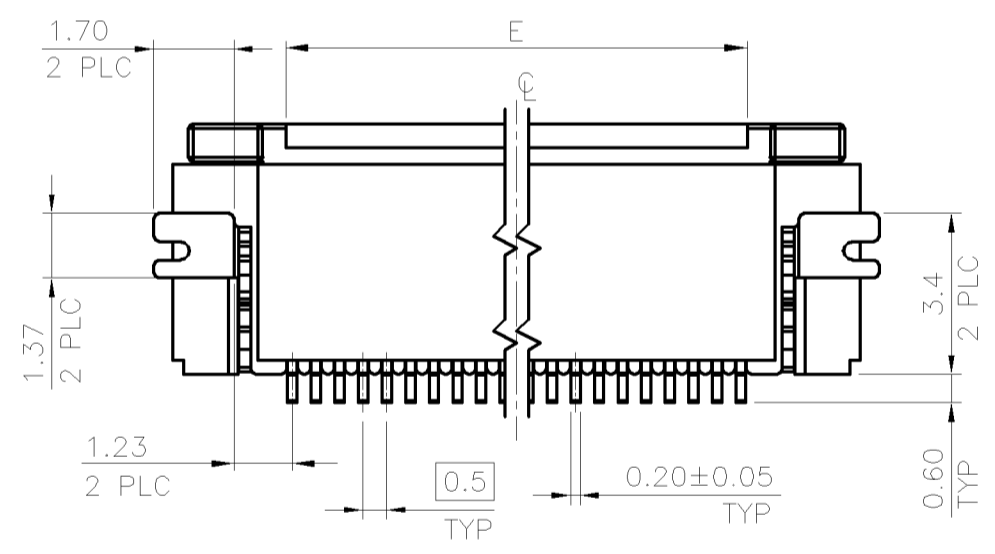
LOC	DIST	REVISIONS					
DW	-	P	LTR	DESCRIPTION	DATE	DWN	APVD
		F		OBSELETE	08JAN16	H.X	W.H



- NOTES:
- MATERIAL:
 HOUSING: LCP WITH 30% GF, UL94 V-0, NATURAL COLOR.
 ACTUATOR: LCP WITH 40% GF, UL94 V-0, BLACK COLOR.
 CONTACTS: PHOSPHOR BRONZE.
 PEGS: BRASS.
 - FINISH:
 CONTACTS: 0.0762µm [3µ"] MIN. GOLD PLATED ON CONTACT AREA, GOLD FLASH ON SOLDER TAIL, WITH ENTIRE CONTACT UNDERPLATED 1.27µm [50µ"] MIN. NICKEL.
 PEGS: 2.54µm [100µ"] MIN. MATTE-TIN OVER 1.27µm [50µ"] MIN. NICKEL
 - REFLOW SOLDER CAPABLE TO 260°C PER TEC-109-201, CONDITION B.
 - SUBSTANCE RESTRICTIONS FOR LOW HALOGEN (BY WEIGHT):
 - BROMINE (Br) ≤ 900 PPM (0.09%)
 - CHLORINE (Cl) ≤ 900 PPM (0.09%)
 - TOTAL CONCENTRATION OF CHLORINE (Cl) + BROMINE (Br) ≤ 1500 PPM (0.15%)



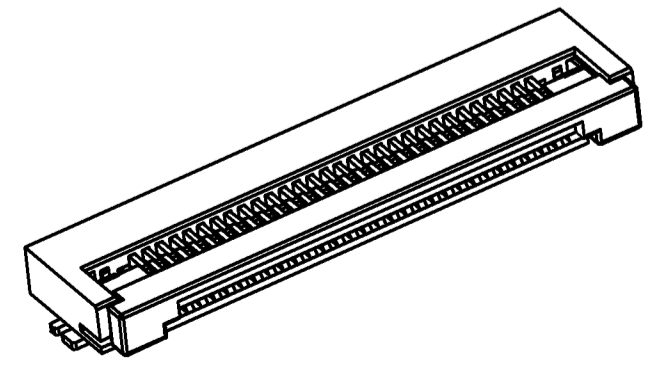
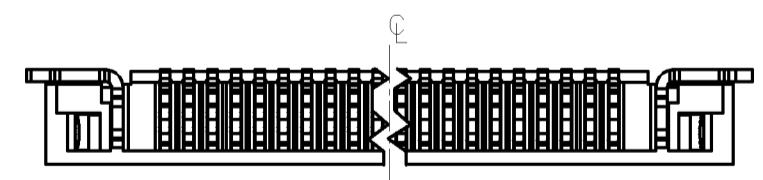
TOLERANCE: ±0.08
 RECOMMENDED P.C.B. LAYOUT
 (TOP VIEW)



(N = NO. OF CONTACTS)
 RECOMMENDED FPC/FFC LAYOUT

OBSELETE

20.37	14.78	18.91	15.60	14.50	19.57	30	3-2041070-0
18.37	12.78	16.91	13.60	12.50	17.57	26	2-2041070-6
15.37	9.78	13.91	10.60	9.50	14.57	20	2-2041070-0
14.37	8.78	12.91	9.60	8.50	13.57	18	1-2041070-8
13.37	7.78	11.91	8.60	7.50	12.57	16	1-2041070-6
11.37	5.78	9.91	6.60	5.50	10.57	12	1-2041070-2
10.37	4.78	8.91	5.60	4.50	9.57	10	1-2041070-0
9.37	3.78	7.91	4.60	3.50	8.57	8	2041070-8
8.37	2.78	6.91	3.60	2.50	7.57	6	2041070-6
7.37	1.78	5.91	2.60	1.50	6.57	4	2041070-4
F	E	D	C	B	A	NO. OF CONTACTS	PART NUMBER

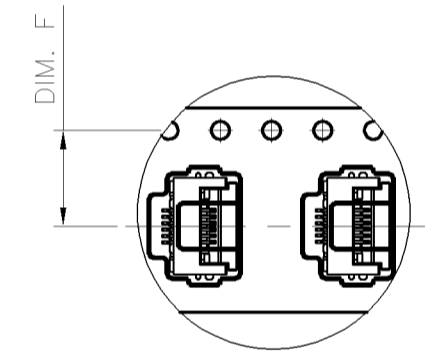
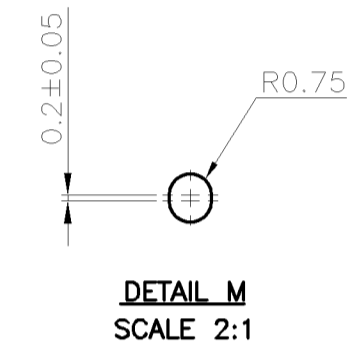
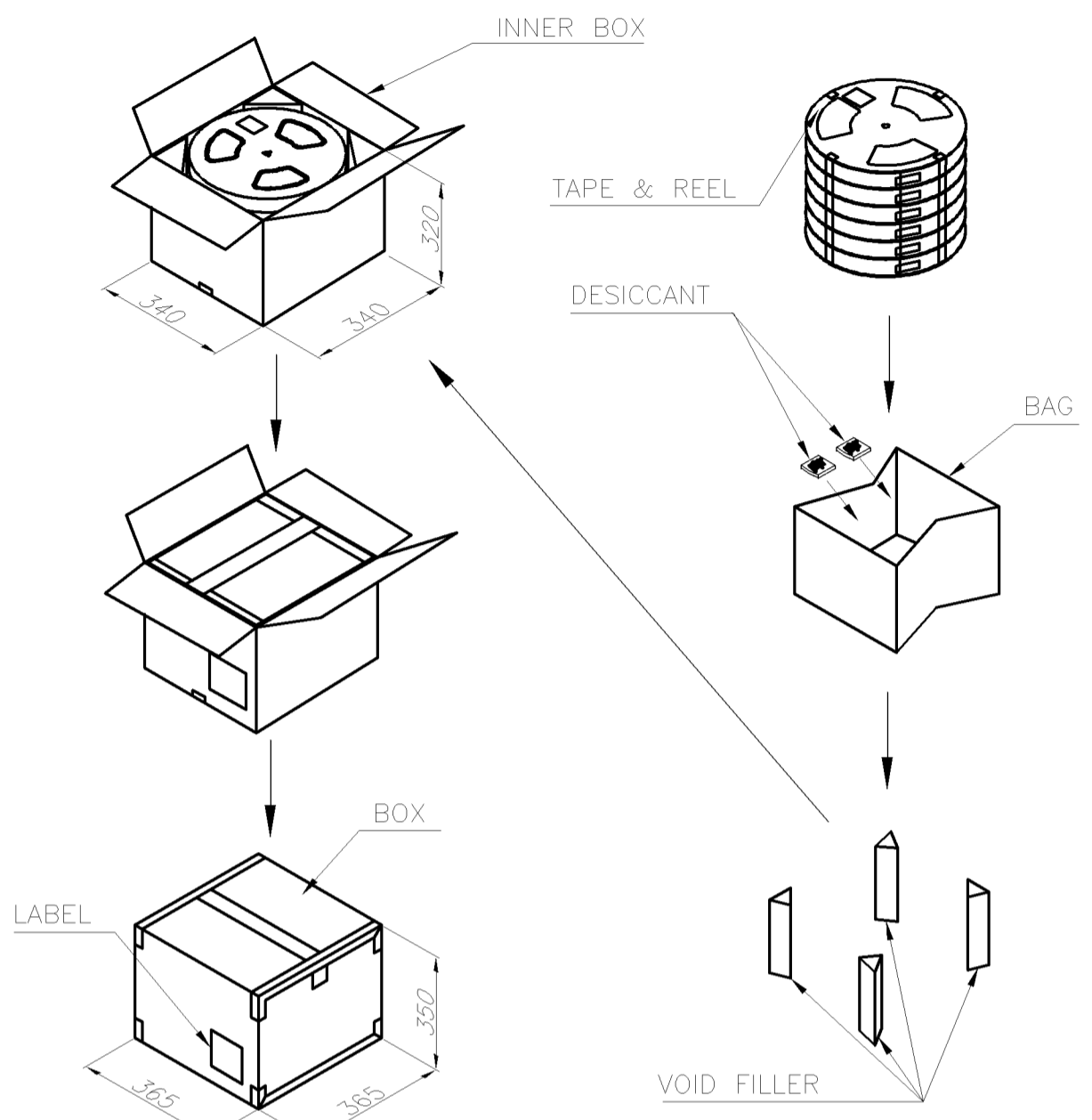
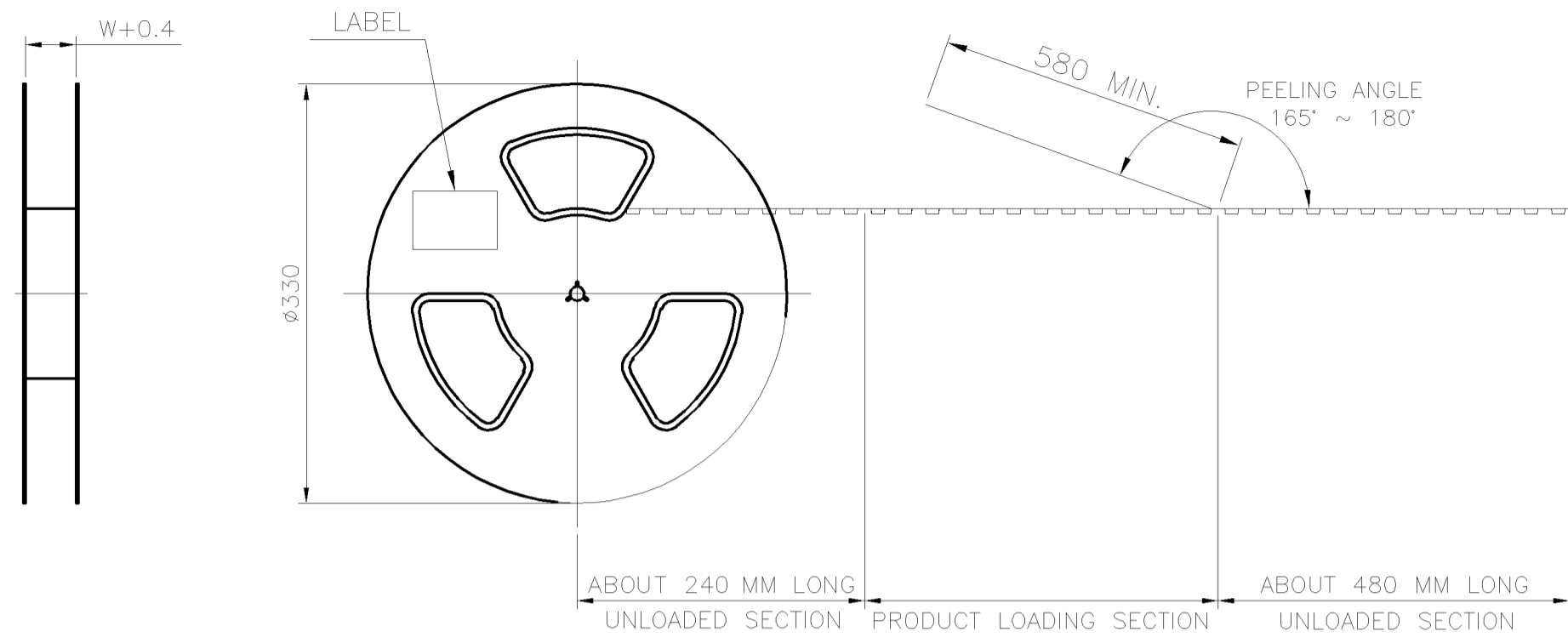


THIS DRAWING IS A CONTROLLED DOCUMENT.

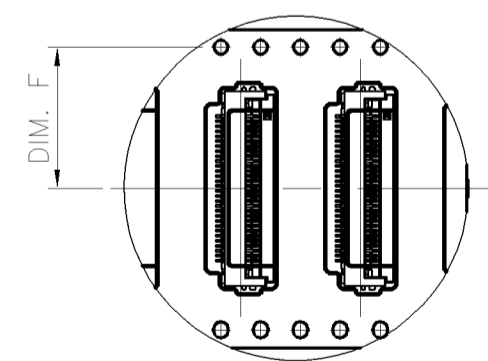
DIMENSIONS: MM	TOLERANCES UNLESS OTHERWISE SPECIFIED:	DWN A. WU 13JUN2008	CHK S. CHIEN 13JUN2008	APVD W. KODAMA 13JUN2008	NAME	Tyco Electronics Corporation Taipi, Taiwan	
	0 PLC ± - 1 PLC ± 0.3 2 PLC ± 0.2 3 PLC ± - 4 PLC ± - ANGLES ± 3'	PRODUCT SPEC	108-57364		FPC CONNECTOR, 0.5 PITCH, 105° ZIF, BOTTOM CONTACT		
MATERIAL	FINISH	WEIGHT	SCALE	CAGE CODE	DRAWING NO	RESTRICTED TO	
SEE NOTE	SEE NOTE	-	A2	00779	C=2041070	-	
CUSTOMER DRAWING			SCALE	SHEET	REV	F	

THIS DRAWING IS UNPUBLISHED. RELEASED FOR PUBLICATION
 © COPYRIGHT 2010 BY TYCO ELECTRONICS CORPORATION. ALL RIGHTS RESERVED.

LOC	DIST	REVISIONS			
P	LTR	DESCRIPTION	DATE	DWN	APVD
DW	-	SEE SHEET 1.			



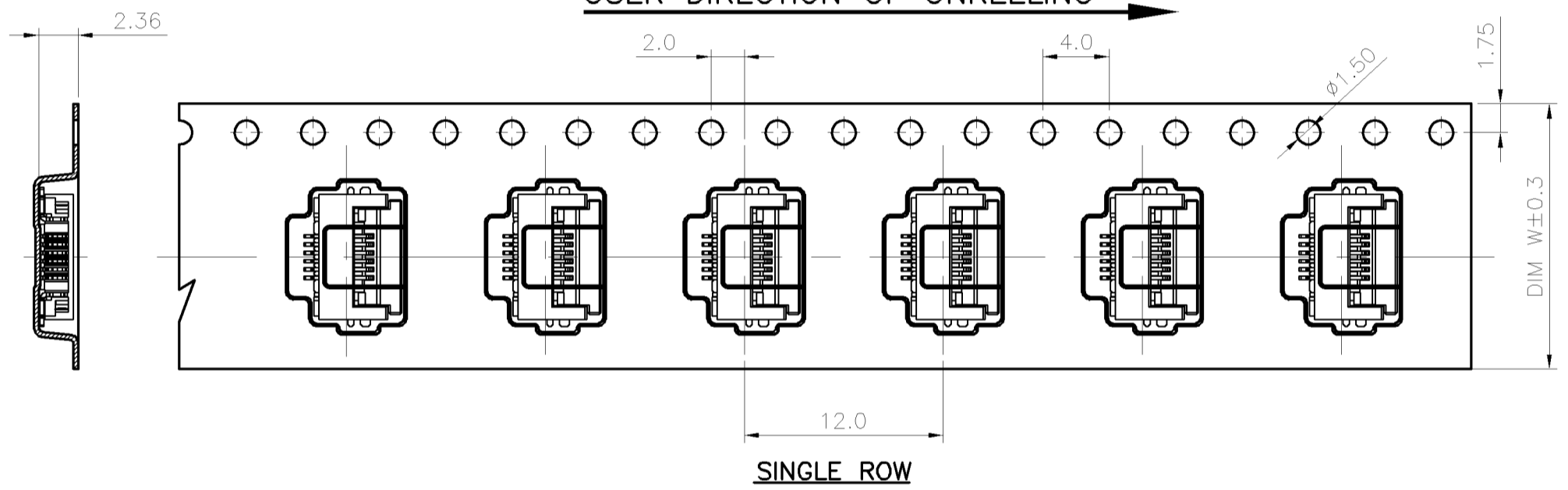
FOR 4 ~ 20 CONTACTS
SINGLE ROW



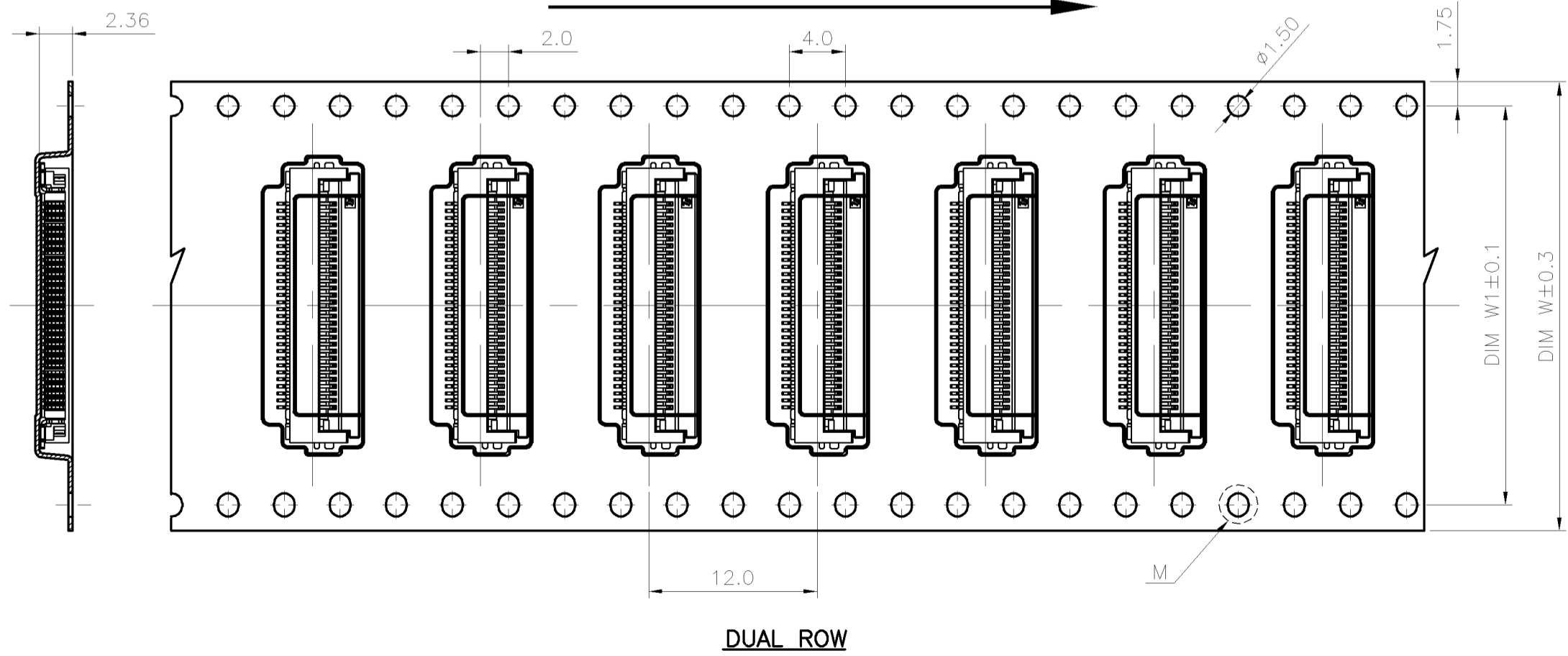
FOR 26 ~ 30 CONTACTS
SINGLE ROW

USER DIRECTION OF UNREELING →

USER DIRECTION OF UNREELING →



SINGLE ROW



DUAL ROW

QUANTITY	PCS/TAPE	REELS/BOX	DIM W1	DIM F	DIM W	G/W(Kg)	N/W(Kg)	NO. OF CONTACTS
16000 PCS	2000	8	28.4	14.2	32	12.85	5.80	30
						11.75	5.14	26
20000 PCS	2000	10	/	11.5	24	11.62	5.40	20
						11.50	5.00	18
						11.35	4.52	16
						10.75	3.76	12
26000 PCS	2000	13	/	7.50	16	10.45	3.50	10
						10.35	3.49	8
						10.25	3.48	6
						10.18	3.05	4

THIS DRAWING IS A CONTROLLED DOCUMENT.

DWN A. WU 13JUN2008	Tyco Electronics Corporation Taipei, Taiwan
CHK S. CHIEN 13JUN2008	
APVD W. KODAMA 13JUN2008	
PRODUCT SPEC	
APPLICATION SPEC	NAME
WEIGHT	SIZE
CUSTOMER DRAWING	CAGE CODE
	DRAWING NO
	RESTRICTED TO

FPC CONNECTOR, 0.5 PITCH, 105° ZIF, BOTTOM CONTACT

SCALE: A2 00779 C=2041070 SHEET 2 OF 2 REV F

单击下面可查看定价，库存，交付和生命周期等信息

[>>TE Connectivity\(泰科\)](#)