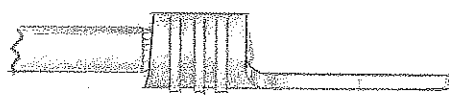
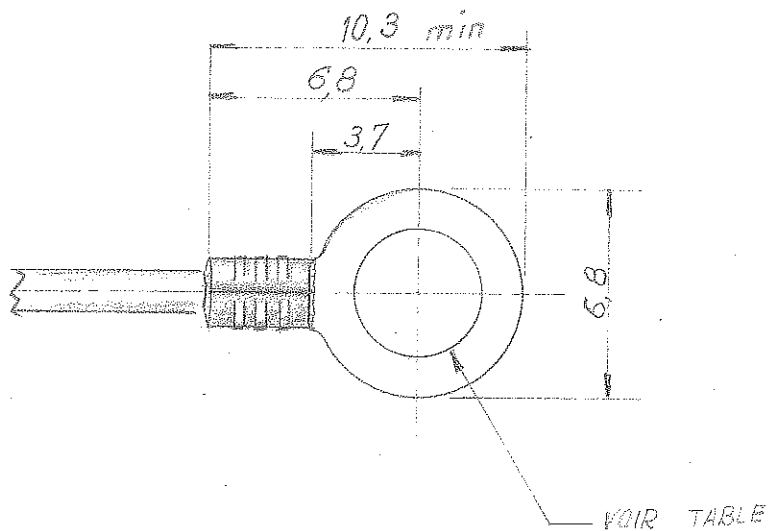


C 140 631 - 36

USED ON



EPAN : 0,5

A - LAITON -
A2 - LAITON ETAME

(B) (D)

140 764	A2	# 6	3,5	145
140 636	A2	# 8	4	170 (4,3)
140 635	A	# 8	4	170 (4,3)
140 634	A2	# 6	3,5	145 (3,7)
140 633	A	# 6	3,5	145 (3,7)
140 632	A2	# 4	3	119 (3,02)
140 631	A	# 4	3	119 (3,02)
N°	MAT.	STUD SIZE	STUD mm	"D" ± 0,00

COSSE A PLAGGE RONDE

STA.	NO.	ALT.
1		
2		
3		
4		
5		
6		
7		
8		
9		
10		
11		
12		
13		
14		
15		
16		
17		
18		
19		
20		
21		

22		
23		
24		
25		

REV.	REVISIONS	DATE	BY	N.D.C.
B	INACTIVE 140764	15-9-58	CC	
A	Alouré 140764	25.1.62	FL6	

CLASS	W.T.S.
TYPE	Automatique
WIRE SIZE	20-16
EXCEPT AS NOTED:	
TOLERANCES	
DECIMALS	± 005
ANGLES	± 1/2°
FRACTIONS	± 1/64
SCALE	

SHOW PT. NO. IN AREA MARKED "X"
BREAK ALL SHARP EDGES

SOCIÉTÉ AMP DE FRANCE

DR.	LAUSSAUF	7-2-58	D. E.	
CK.			P. T. E.	
REL.				

NUMBER	C 140 631 - 36
REV.	

单击下面可查看定价，库存，交付和生命周期等信息

[>>TE Connectivity\(泰科\)](#)