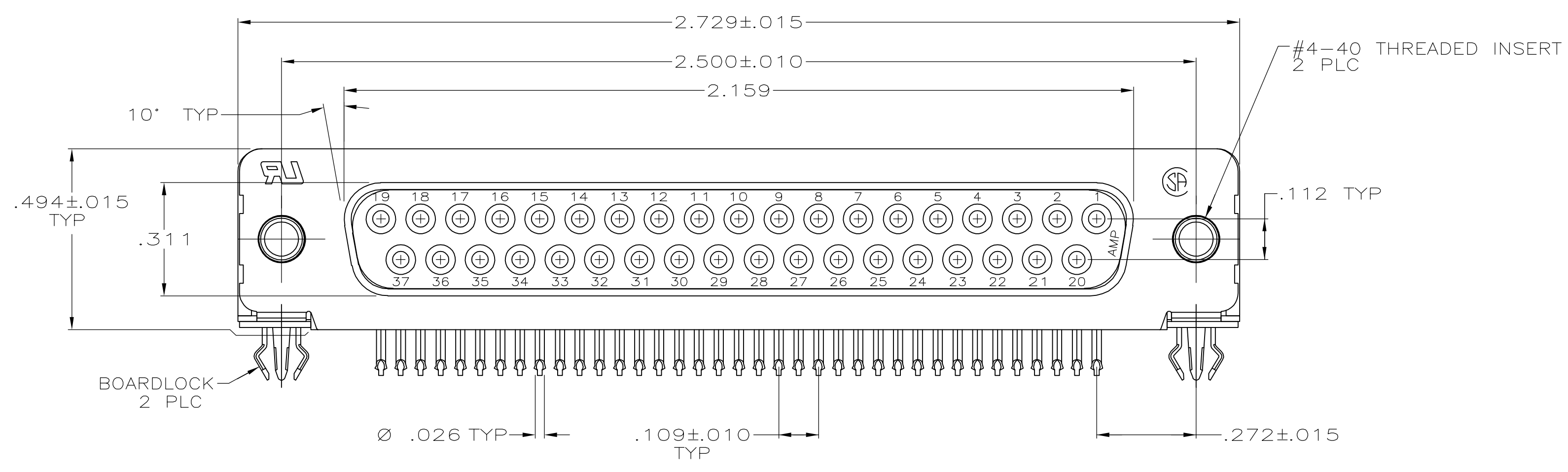
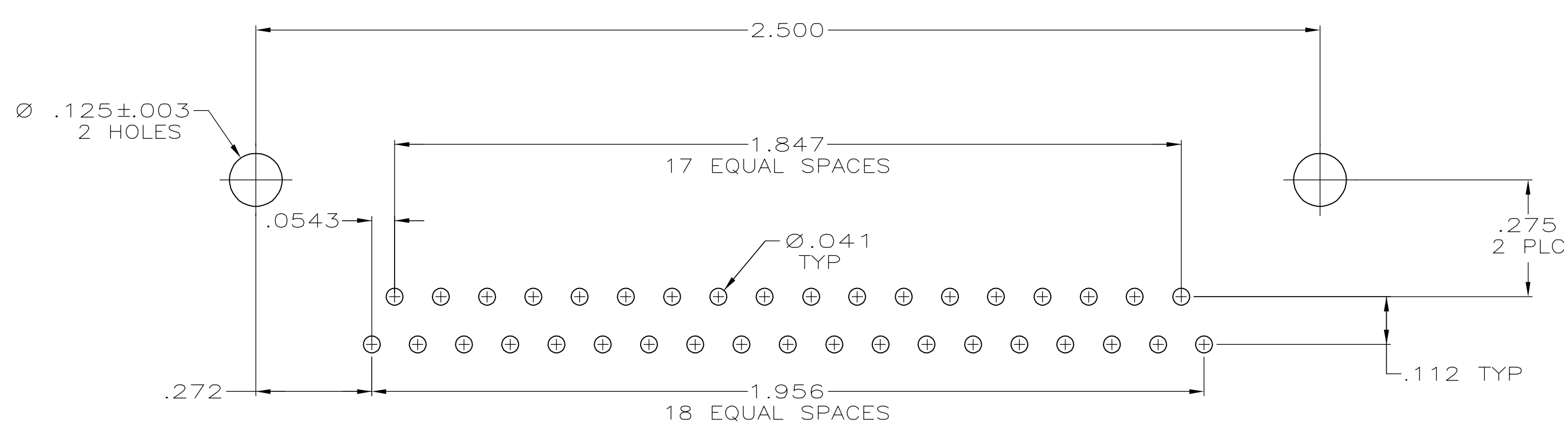
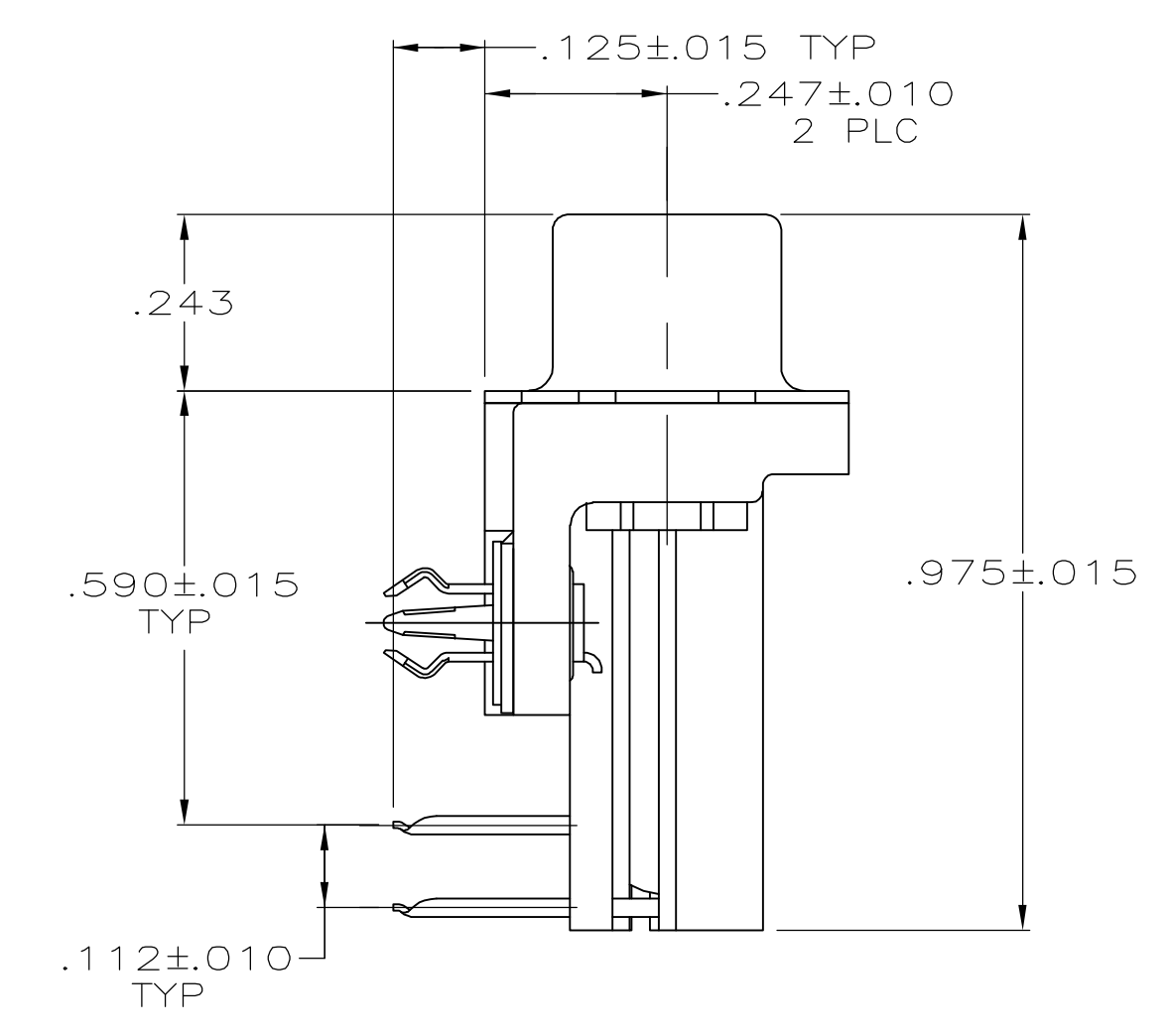
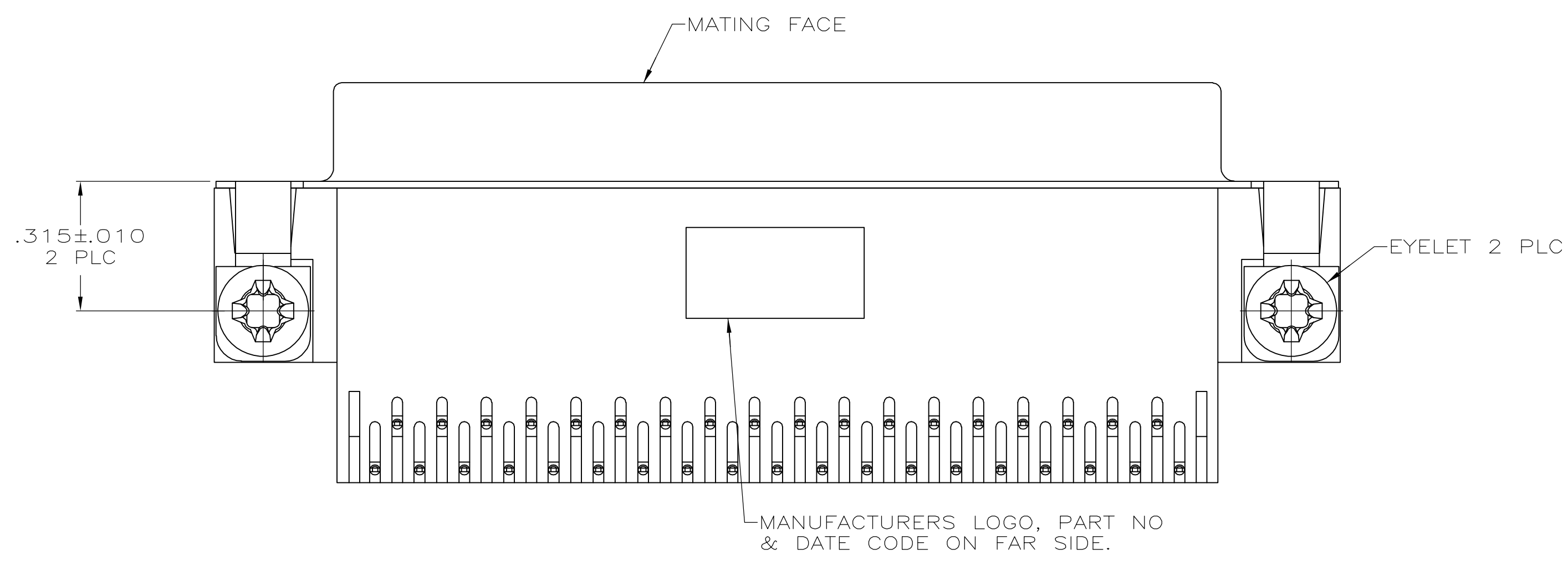


THIS DRAWING IS UNPUBLISHED. RELEASED FOR PUBLICATION
 © COPYRIGHT BY TYCO ELECTRONICS CORPORATION. ALL RIGHTS RESERVED.

LOC		DIST		REVISIONS			
P	LTR	DESCRIPTION	DATE	DWN	APVD		
GP	00	0	RELEASED PER EC 0513-0016-05	04-12-05	GA	JG	



- 1 HOUSING: NYLON OR POLYESTER, FLAME RETARDANT, UL 94V-0 RATED, GLASS FILLED, BLACK.
 CONTACTS: PHOSPHOR BRONZE.
 SHELL: CARBON STEEL
 EYELETS: BRASS
 INSERTS: ZINC
 BOARDLOCKS: COPPER ALLOY
- 2 SHELL: .000100 MIN TIN OVER .000050 MIN COPPER.
 CONTACTS: .000030 GOLD MIN FOR A DISTANCE OF .100 MIN FROM MATING END,
 .000100 MIN TIN ON TERMINATION END, ALL OVER .000050 MIN NICKEL
 ON ENTIRE CONTACT.
 EYELETS: .000050 MIN TIN OVER COPPER FLASH.
 BOARDLOCKS: .000150 MIN TIN OVER .000050 MIN NICKEL.
 INSERTS: CLEAR CHROMATE



RECOMMENDED P.C. BOARD MOUNTING DIMENSIONS

5747839-4
 PART NUMBER

**COPYRIGHT 2005
 TYCO ELECTRONICS CORP
 ALL RIGHTS RESERVED**

THIS DRAWING IS A CONTROLLED DOCUMENT.		DWN: G. ATTADIA - 04-12-05	Tyco Electronics Corporation Harrisburg, PA 17105-3608
		CHK: S. BOLASH - 04-12-05	
DIMENSIONS: INCHES		APVD: M. WALMSLEY - 04-12-05	NAME: RECEPTACLE ASSEMBLY, SIZE 4, 37 POSITION, RIGHT ANGLE, FRONT METAL SHELL, .590 SERIES, .026 DIA POSTS, BOARDLOCKS, AMPLIMITE HD-20
TOLERANCES UNLESS OTHERWISE SPECIFIED:		PRODUCT SPEC: 108-40025	SIZE: A1
0 PLC ± -		APPLICATION SPEC: 114-40010	CAGE CODE: 5747839
1 PLC ± -		WEIGHT: -	DRAWING NO: 5747839
2 PLC ± -		CUSTOMER DRAWING	SCALE: 4:1
3 PLC ± .005			SHEET 1 OF 1
4 PLC ± -			REV 0
ANGLES ± z			
MATERIAL	FINISH		

单击下面可查看定价，库存，交付和生命周期等信息

[>>TE Connectivity\(泰科\)](#)