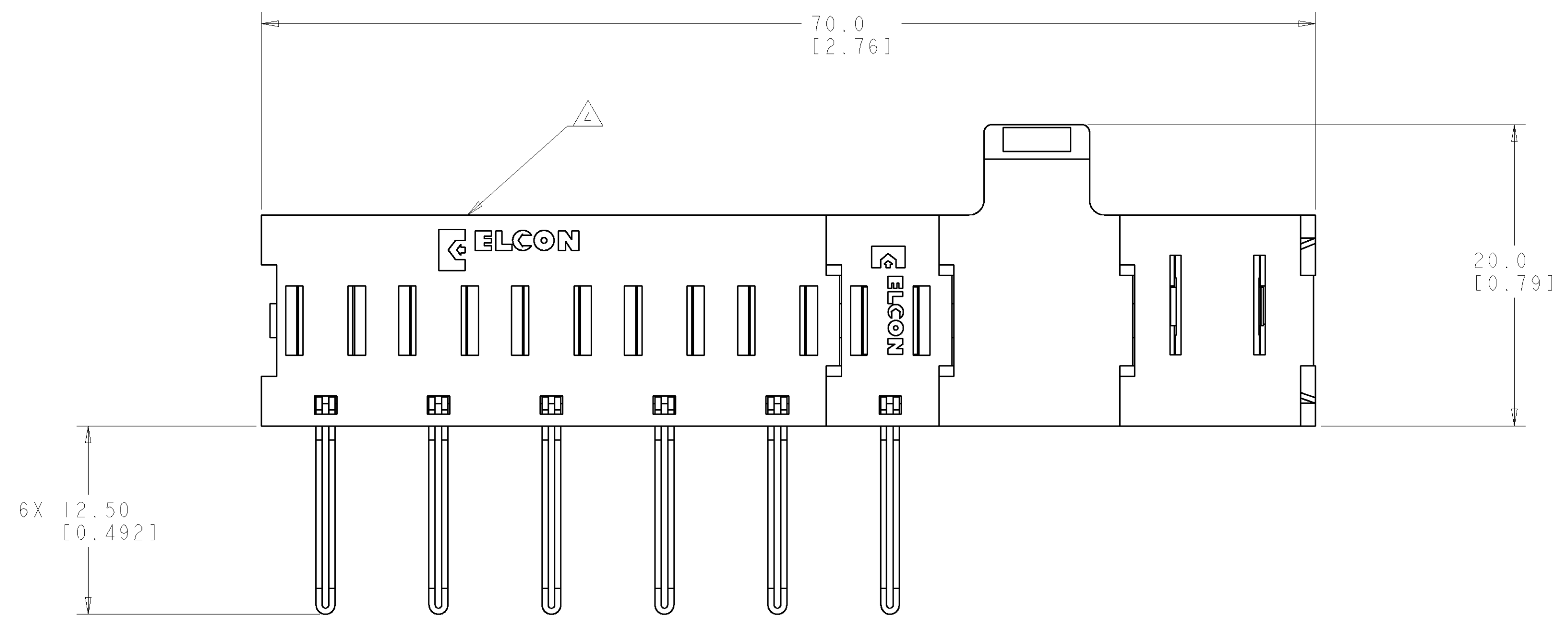


LOC		DIST		REVISIONS			
GP	00	P	LTR	DESCRIPTION	DATE	DWN	APVD
		A		NEW RELEASE	12FEB2007	RG	PD

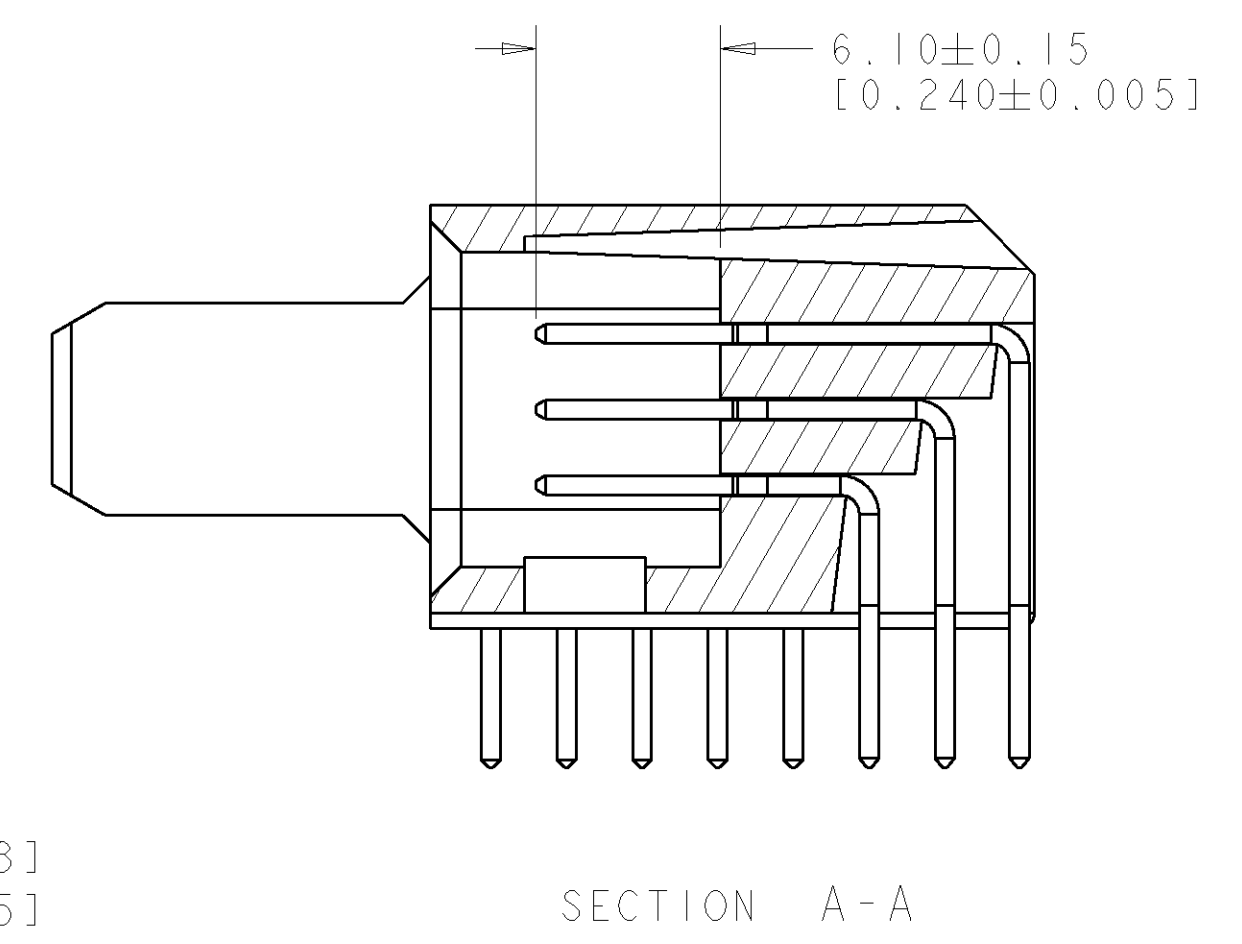
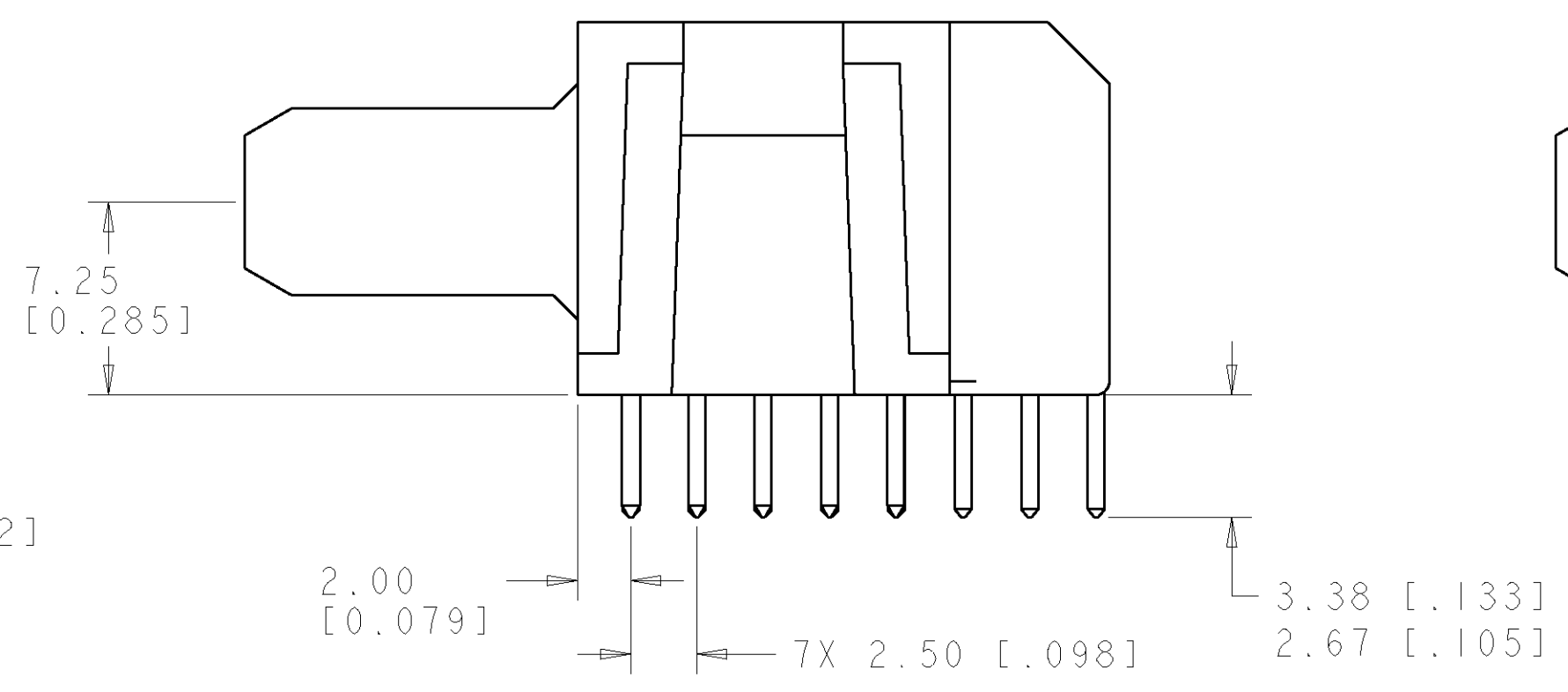
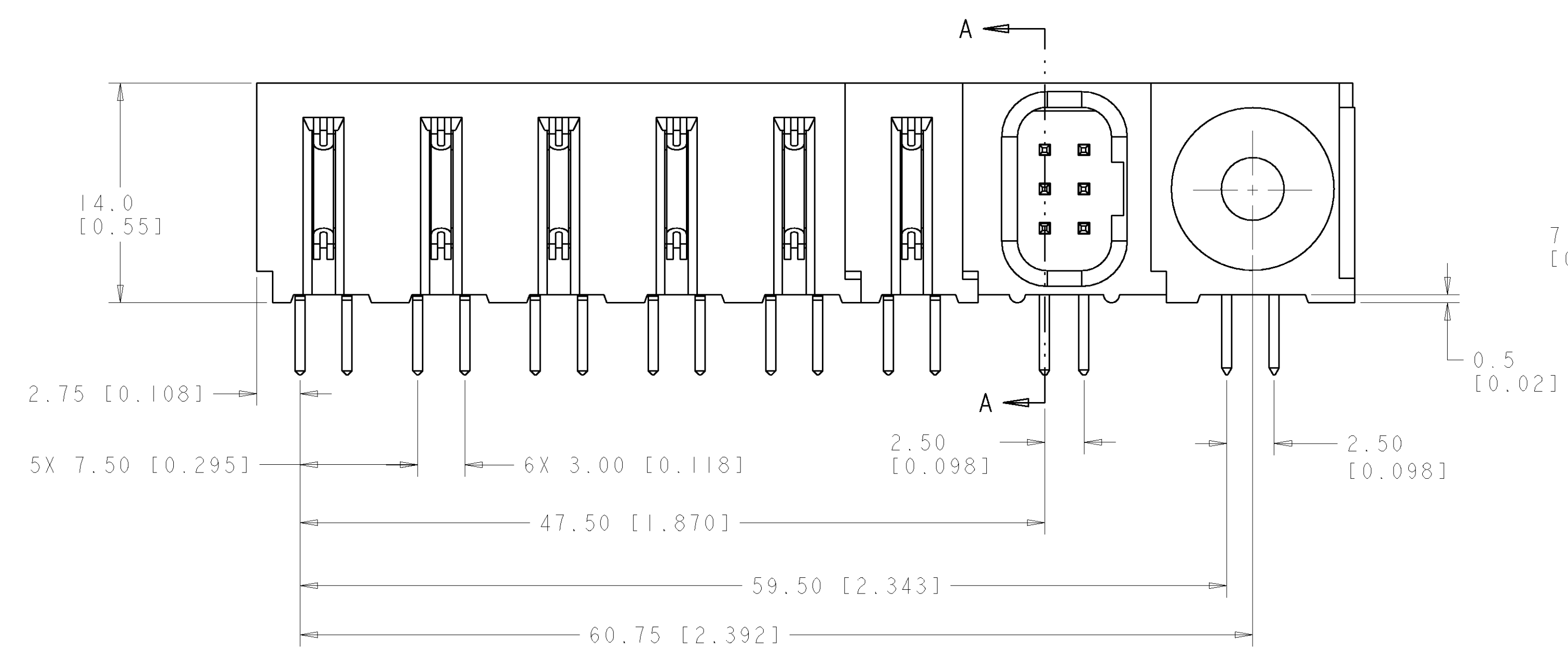


- PART NUMBER CHANGES AND OR DESIGN CHANGES AFFECTING ITEM INTERCHANGEABILITY REQUIRE PRIOR TYCO APPROVAL AND AUTHORIZATION BY REVISION TO THIS DRAWING.
- MATERIAL:
  - INSULATORS - THERMOPLASTIC, GLASS REINFORCED, COLOR: BLACK, UL94V-0 FLAMMABILITY RATED.
  - SIGNAL CONTACTS: PHOSPHOR BRONZE ALLOY
  - POWER CONTACTS - PHOSPHOR BRONZE ALLOY, COPPER ALLOY
  - CROWN BANDS: BERYLLIUM COPPER ALLOY
- FINISH:
  - CONTACTS - GOLD PLATE .76µm MIN. THK., OVER NICKEL
  - 1.27µm MIN. THK.
  - SOLDER TAILS TIN 3.05µm MIN. THK. OVER NICKEL
  - 1.27µm MIN. THK.

ITEMS PROVIDED TO THIS SPECIFICATION TO BE PERMANENTLY IDENTIFIED PER THE FOLLOWING IDENTIFIER LABEL

TYCO PART NO. \_\_\_\_\_ DATE CODE (e.g. 0106) \_\_\_\_\_

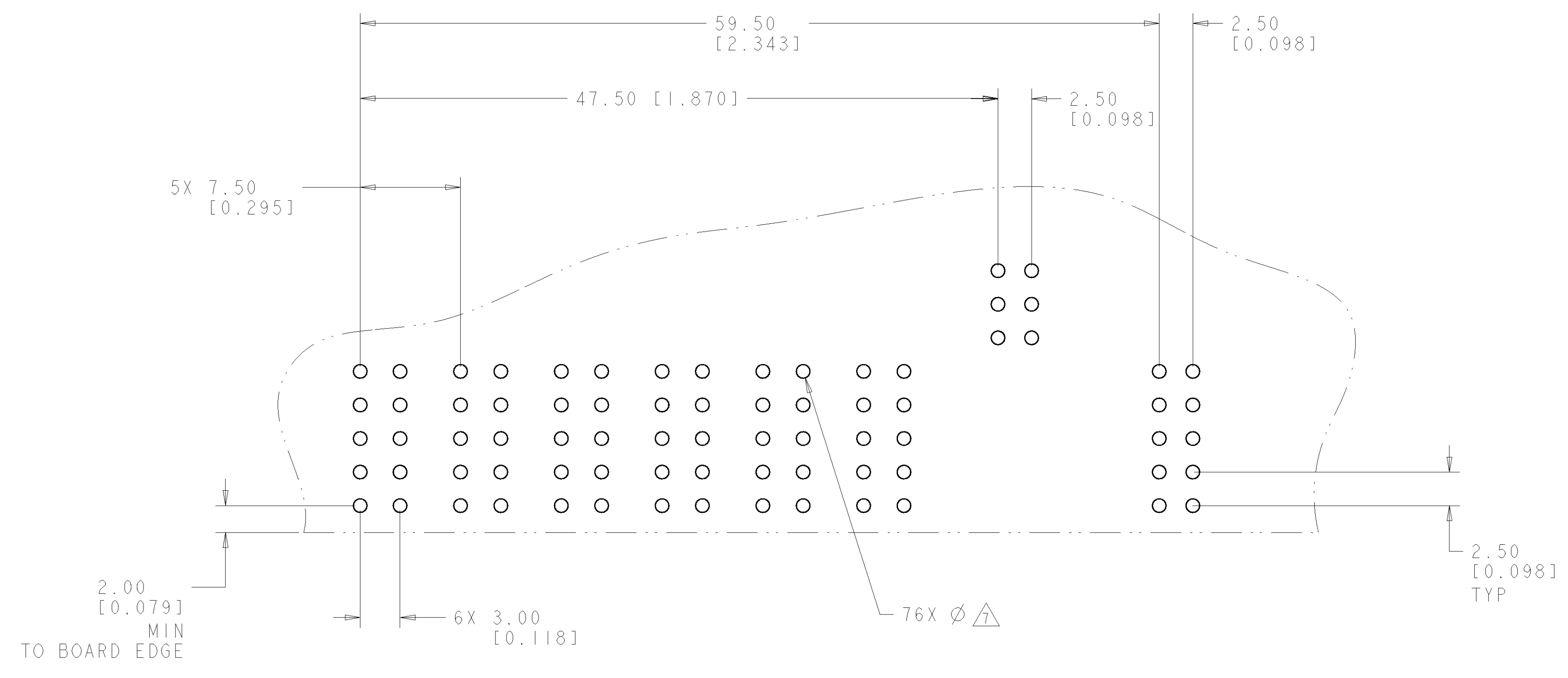
XXXXXXXX-X      YEAR WEEK  
 XXXX      XXXX



**ELCON** **FLATPAQ**

AS SHOWN		6646906-1	
DESCRIPTION		PART NUMBER	
DIMENSIONS: mm [INCHES] TOLERANCES UNLESS OTHERWISE SPECIFIED: 0 PLC ±.5 [.020] 1 PLC ±.5 [.020] 2 PLC ±.25 [.010] 3 PLC ±.25 [.010] 4 PLC ±.25 [.010] ANGLES ±.5		DWN: R. GRZYBOWSKI 9FEB07 CHK: P. DAMATO 9FEB07 APVD: S. FLICKINGER 9FEB07 PRODUCT SPEC: - APPLICATION SPEC: - WEIGHT: - CUSTOMER DRAWING: -	
MATERIAL: - FINISH: -		NAME: PIN CONNECTOR ASSEMBLY RIGHT ANGLE SOLDER TAILS SIZE: A   00779   C=6646906 SCALE: 4:1 SHEET 1 OF 3 REV A	
Tyco Electronics Harrisburg, PA 17105-3608		RESTRICTED TO	

LOC	DIST	REVISIONS			
P	LTR	DESCRIPTION	DATE	DNW	APVD
-	-	SEE SHEET 1	-	-	-

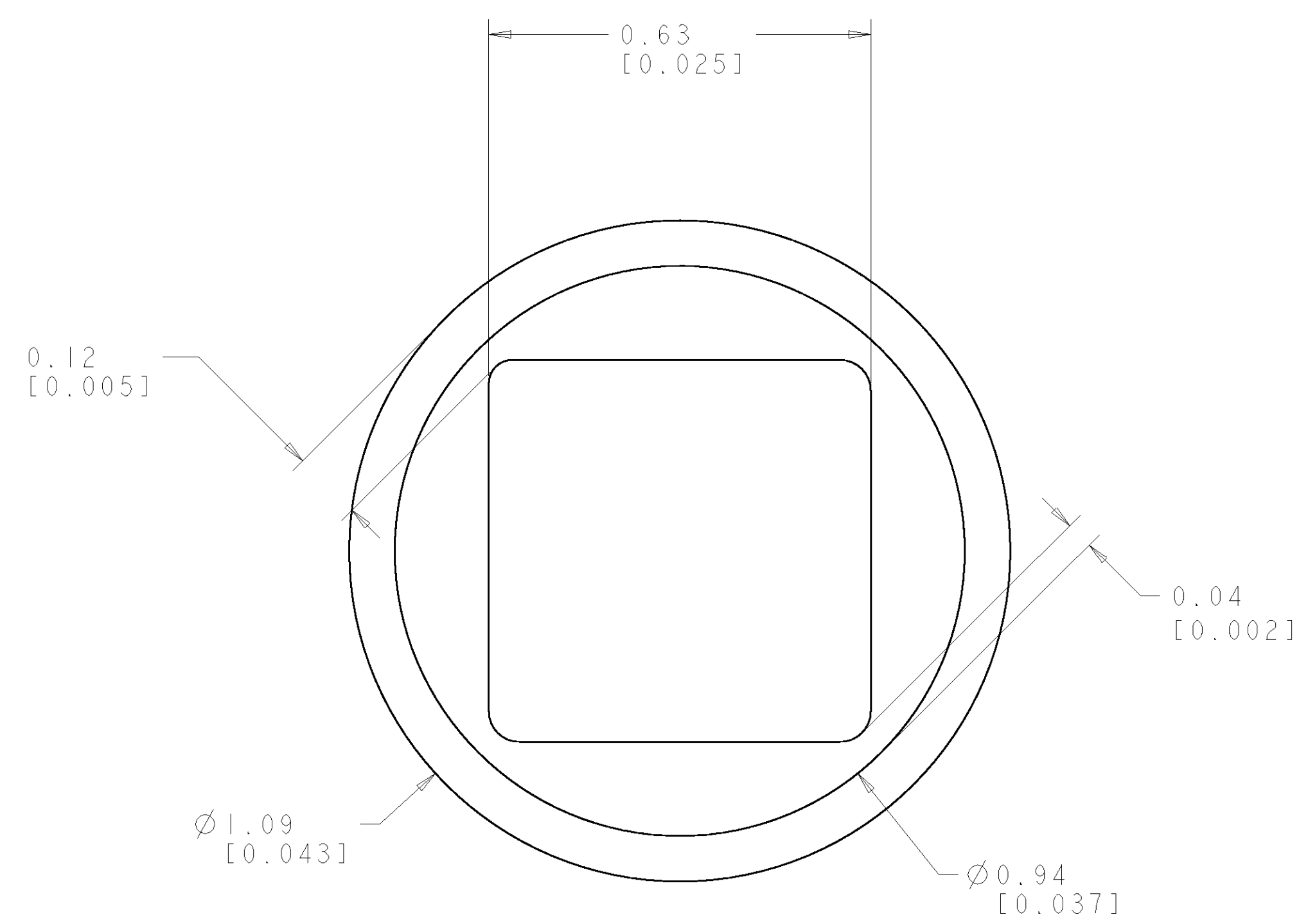
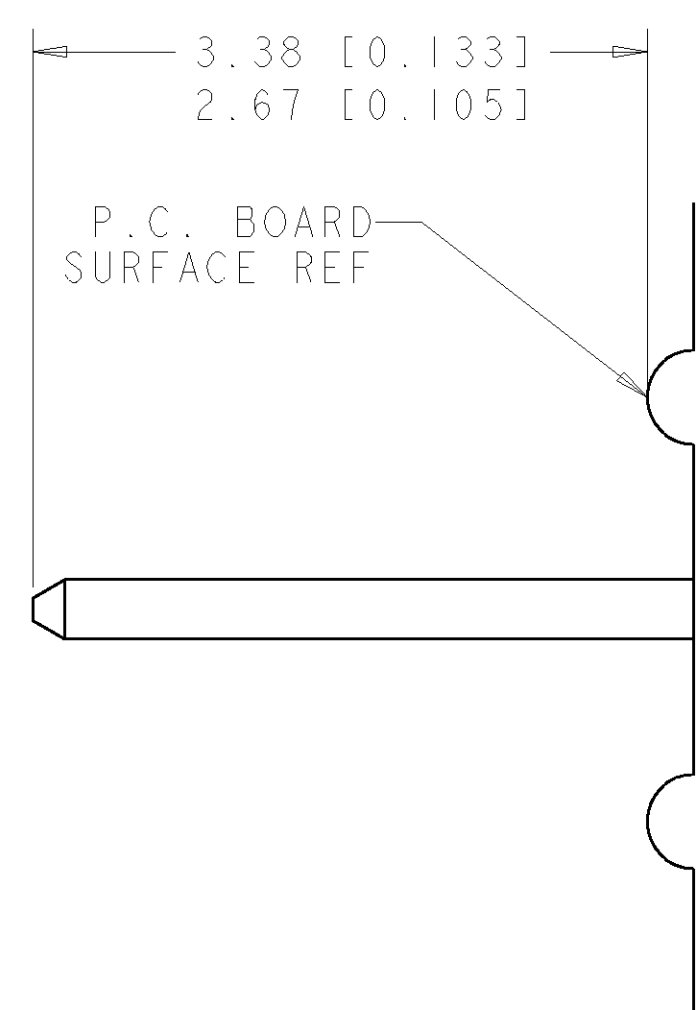


PRINTED CIRCUIT LAYOUT  
 COMPONENT SIDE

CONNECTOR	CATALOG MODULE #	QTY	SIZE NO.	CONTACT QTY	MATING PIN	MAX. CURRENT (PER CONTACT)	CONTACT SPACING	VOLTAGE RATING
PIN	FP314	1	22	6	.64 [0.025] SO.	3 amps	2.50 [0.0984]	125
	FPI52	6	8	12	1.25 X 7.00 [0.049 X .276]	35 amps	7.50 [0.2953]	250
	FP516	1	RIGHT ANGLE GUIDE SOCKET					

DIMENSIONS: mm [INCHES] TOLERANCES UNLESS OTHERWISE SPECIFIED: 0 PLC ±.5 [0.020] 1 PLC ±.5 [0.020] 2 PLC ±.25 [0.010] 3 PLC ±.25 [0.010] 4 PLC ±.25 [0.010] ANGLES ±.5		DWN: B. GRZYBOWSKI 9FEB07 CHK: P. DAMATO 9FEB07 APVD: S. FLICKINGER 9FEB07	Tyco Electronics Harrisburg, PA 17105-3608
MATERIAL: - FINISH: -		PRODUCT SPEC: - APPLICATION SPEC: - WEIGHT: - CUSTOMER DRAWING	NAME: PIN CONNECTOR ASSEMBLY RIGHT ANGLE SOLDER TAILS SIZE: A   00779   C=6646906 SCALE: 4:1 SHEET 2 OF 3 REV A

LOC	DIST	REVISIONS					
		P.	LTR	DESCRIPTION	DATE	DWN	APVD
GP	00	-	-	SEE SHEET 1	-	-	-



6. SOLDER PIN DETAIL  
 SCALE 10 : 1

**△ SOLDER TERMINATION AREA**  
 SCALE 40:1  
 RECOMMENDED PRINTED CIRCUIT HOLE  
 FINISHED HOLE: Ø1.02 [0.040] ± .08 [0.003]  
 DRILLED HOLE: Ø1.15 [0.0453] ± .013 [0.0005]  
 COPPER PLATE: .025 [0.0010] MIN. (PER SURFACE)  
 TIN PLATE: .008 [0.0003] MIN. (PER SURFACE)

ELCON FLATPAQ

<small>THIS DRAWING IS UNPUBLISHED. RELEASED FOR PUBLICATION. ALL RIGHTS RESERVED. THIS DRAWING IS THE PROPERTY OF TYCO ELECTRONICS CORPORATION. IT IS TO BE USED ONLY FOR THE PURPOSES AND ORGANIZATION SPECIFIED BY THE CUSTOMER. IT IS TO BE KEPT IN CONFIDENTIALITY AND NOT TO BE REPRODUCED OR COPIED FOR ANY OTHER PURPOSE.</small>		DWN R. GRZYBOWSKI 9FEB07 CHK P. DAMATO 9FEB07 APVD S. FLICKINGER 9FEB07	<b>tyco</b> Tyco Electronics Harrisburg, PA 17105-3608
DIMENSIONS: mm [INCHES]	TOLERANCES UNLESS OTHERWISE SPECIFIED: 0 PLC ± 1 PLC ±.5 [0.020] 2 PLC ±.25 [0.010] 3 PLC ± 4 PLC ± ANGLES ±.5 FINISH -	NAME PIN CONNECTOR ASSEMBLY RIGHT ANGLE SOLDER TAILS	SIZE CAGE CODE DRAWING NO RESTRICTED TO A 100779 C=6646906 -
MATERIAL - FINISH -	WEIGHT - CUSTOMER DRAWING	SCALE 4:1 SHEET 3 OF 3 REV A	

单击下面可查看定价，库存，交付和生命周期等信息

[>>TE Connectivity\(泰科\)](#)