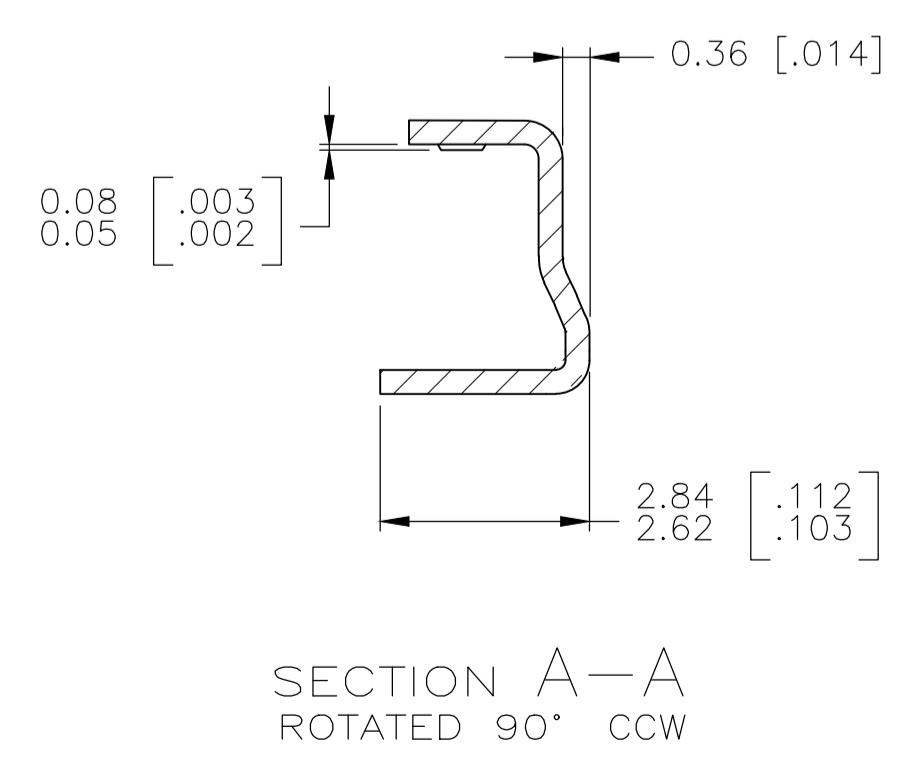
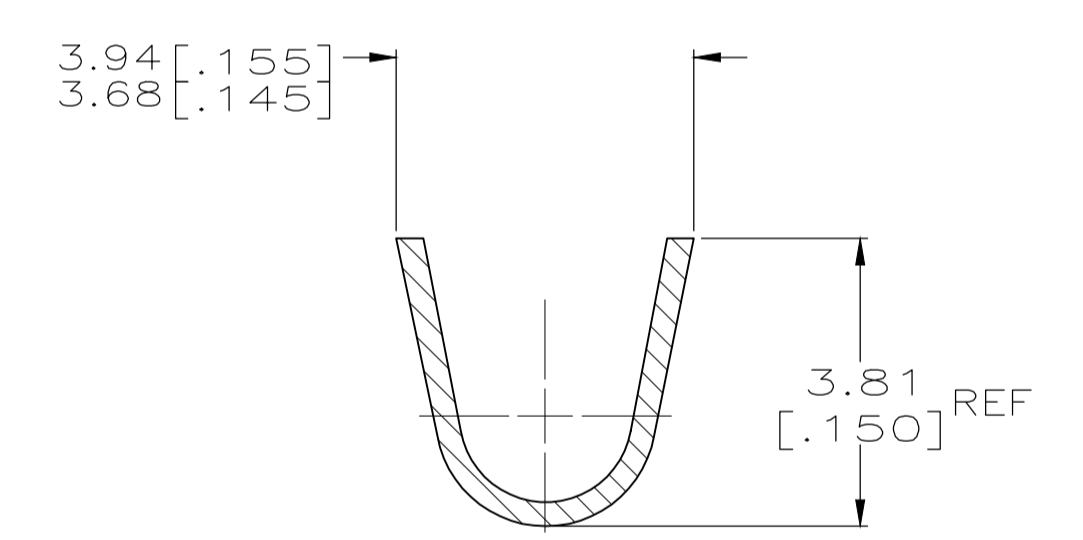
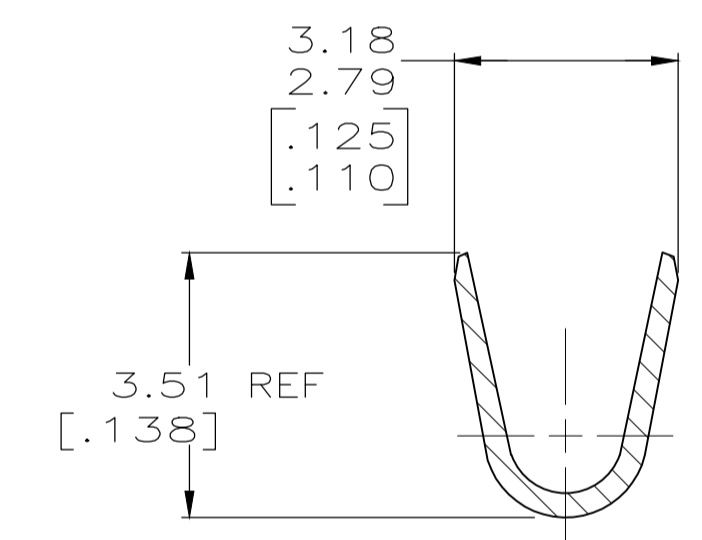
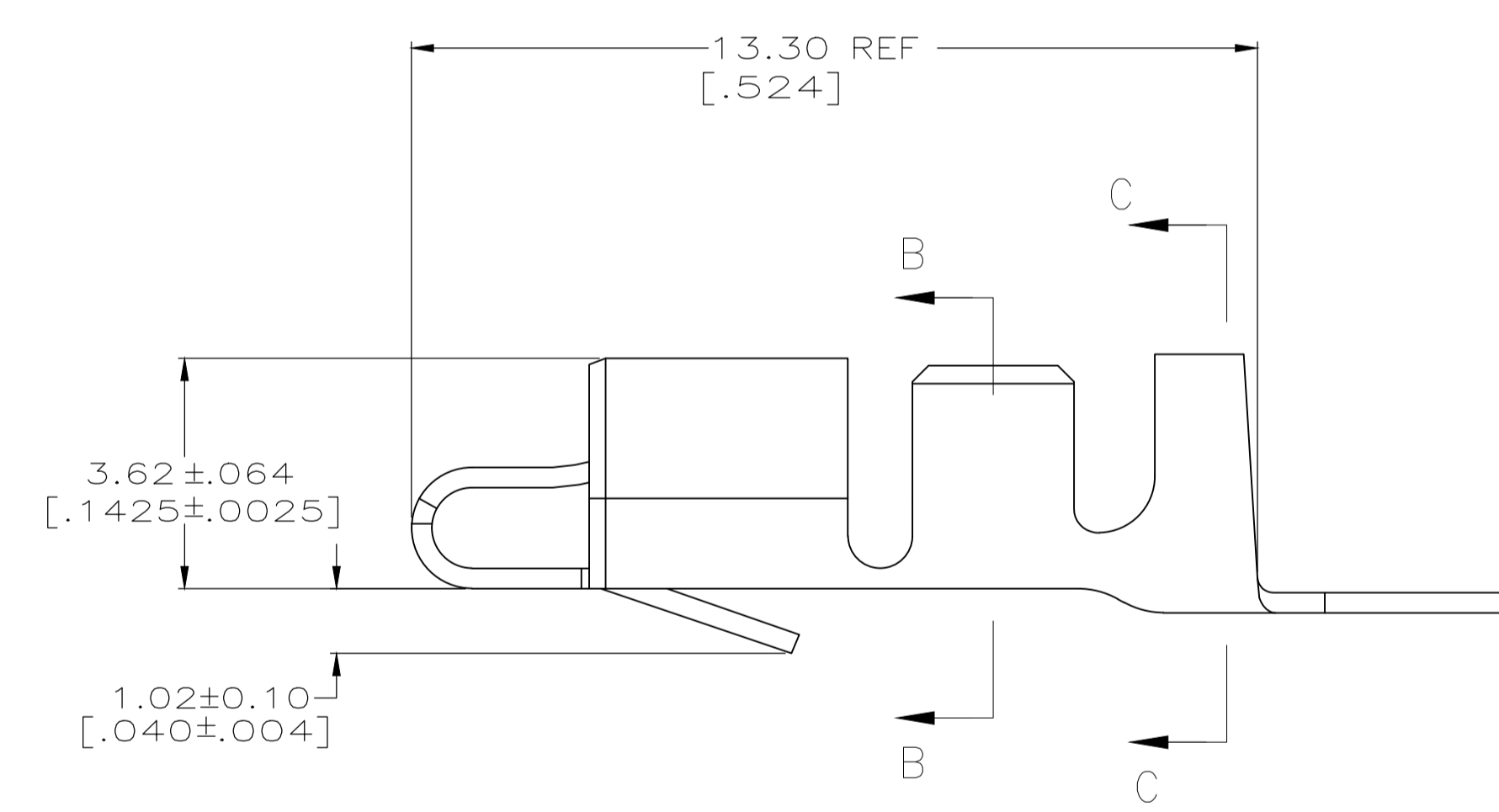
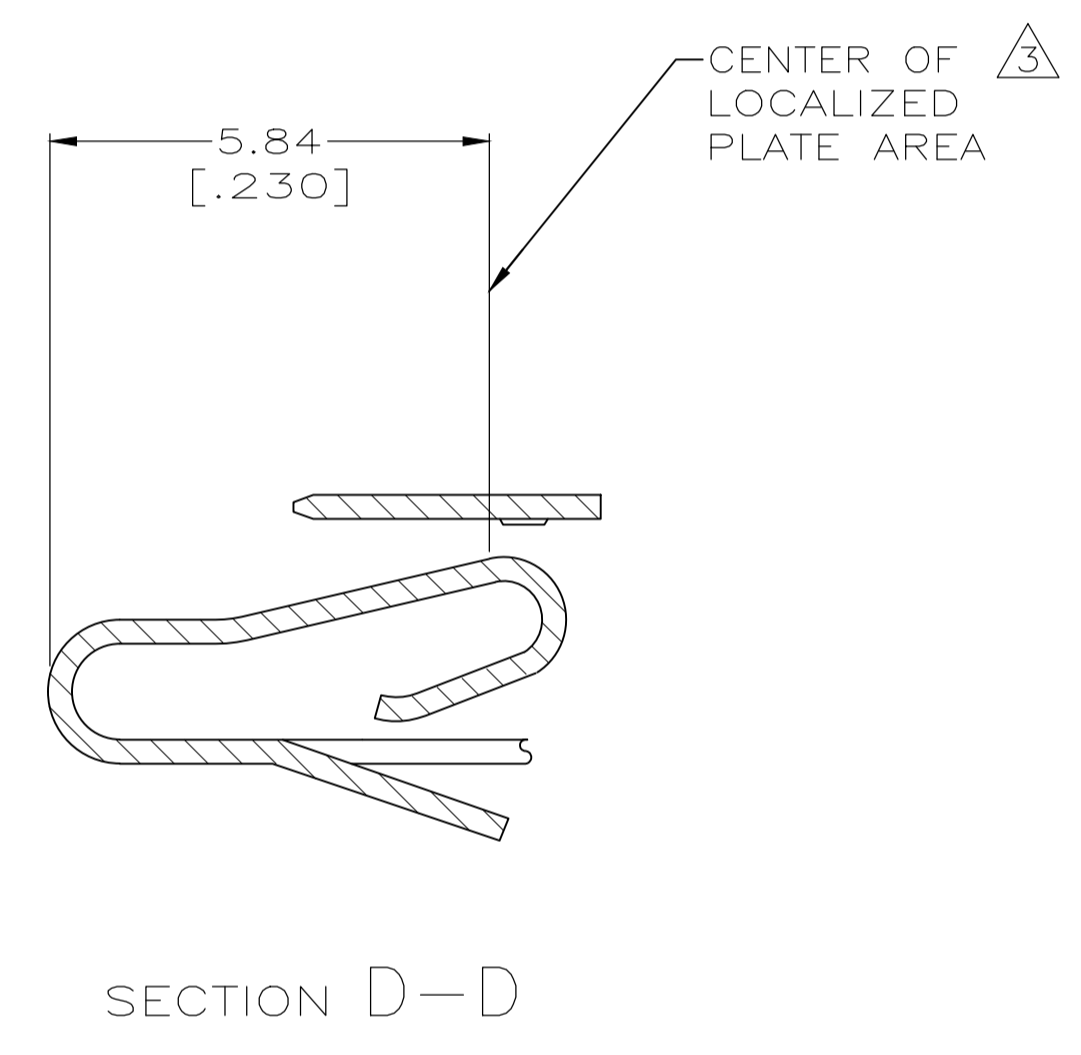
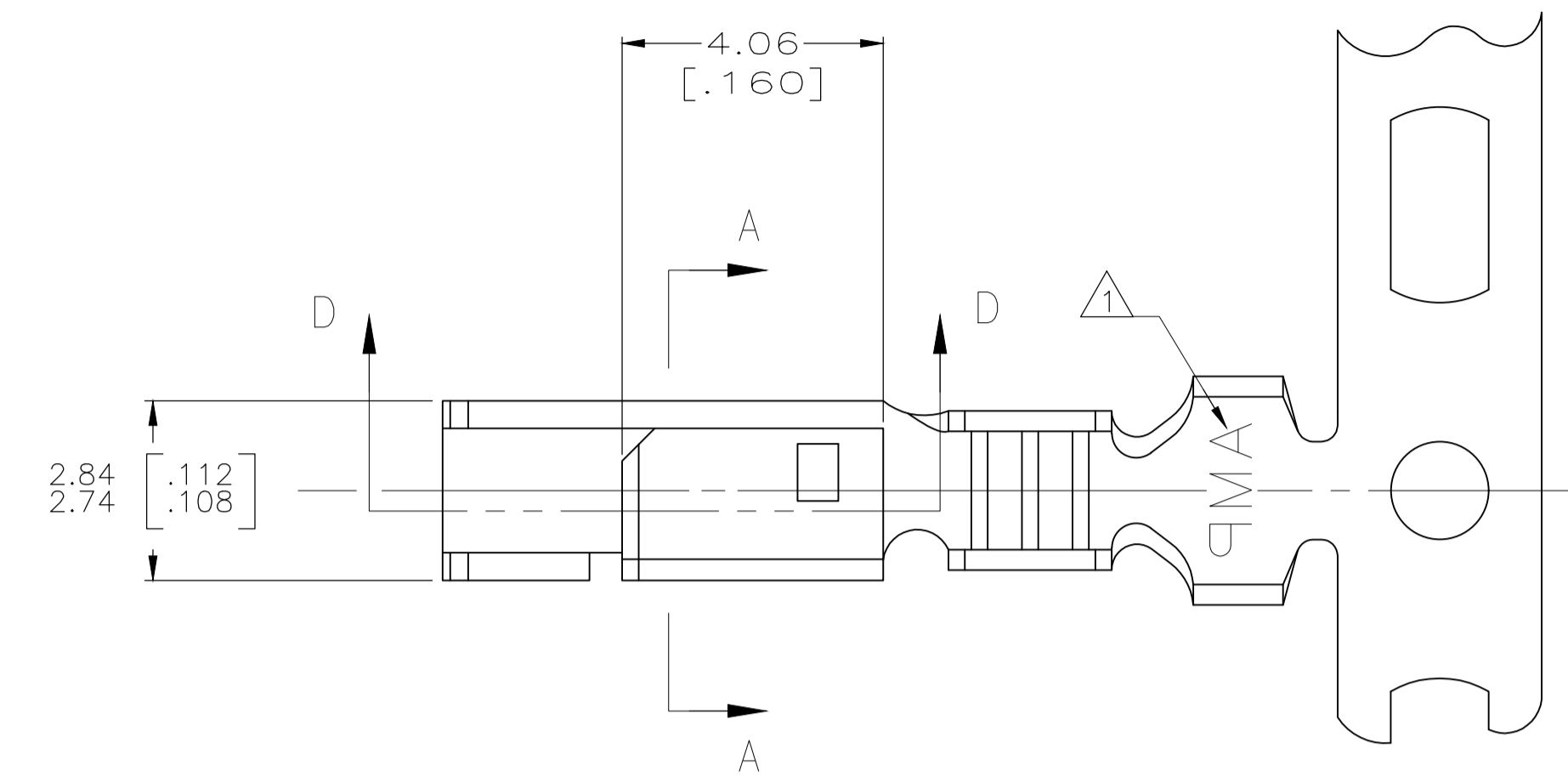


REVISIONS					
P	LTR	DESCRIPTION	DATE	DMN	APVD
E		REVISED PER ECR-18-019874	19MAR2019	BDA	SG

- INSULATION RANGE: 1.78-2.84 [.070-.112]
WIRE RANGE: NOT TO EXCEED 2550-2800 CMA (1.29-1.42 mm²)
(LIMITED 16 AWG RANGE).
- 0.00203 [.000080] MIN MATTE TIN-LEAD OVER
0.00127 [.000050] MIN NICKEL.
- 0.00076 [.000030] MIN THICK GOLD STRIPES IN
LOCALIZED PLATE AREA ON BEAM AND DIMPLE OVER
0.00127 [.000050] MIN THICK NICKEL OVER ENTIRE
CONTACT.
- DIMENSIONS IN BRACKETS ARE IN INCHES.
- FOR USE ONLY WITH LID STYLE HOUSING.
- 0.00203 [.000080] MIN MATTE TIN OVER
0.00127 [.000050] MIN NICKEL.
- OBSELETE PARTS



6	3-647466-1
3	647466-2
2	647466-1
FINISH	PART NUMBER

THIS DRAWING IS A CONTROLLED DOCUMENT.		DIN K. WHITAKER 18OCT2004	TE Connectivity Ltd.	
DIMENSIONS: mm [INCHES]		CHK J. ELLIS 18OCT2004	APVD J. ELLIS 18OCT2004	
TOLERANCES UNLESS OTHERWISE SPECIFIED:		NAME SL-156 HOODED RECEPTACLE, LARGE WIRE CONTACT		
0 PLC ± -	1 PLC ± -	PRODUCT SPEC 108-1049		
2 PLC ± 0.13 [.005]	3 PLC ± -	APPLICATION SPEC 114-1021		
4 PLC ± -	ANGLES ± -	SIZE A1	CAGE CODE 00779	DRAWING NO. 647466
MATERIAL PH BRZ	FINISH SEE TABLE	WEIGHT	RESTRICTED TO	SCALE 10:1 SHEET 1 OF 1 REV E
CUSTOMER DRAWING				

单击下面可查看定价，库存，交付和生命周期等信息

[>>TE Connectivity\(泰科\)](#)