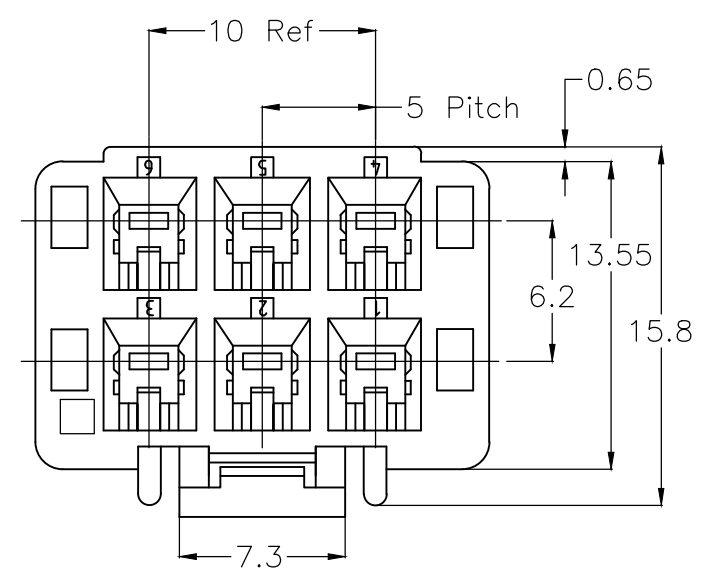


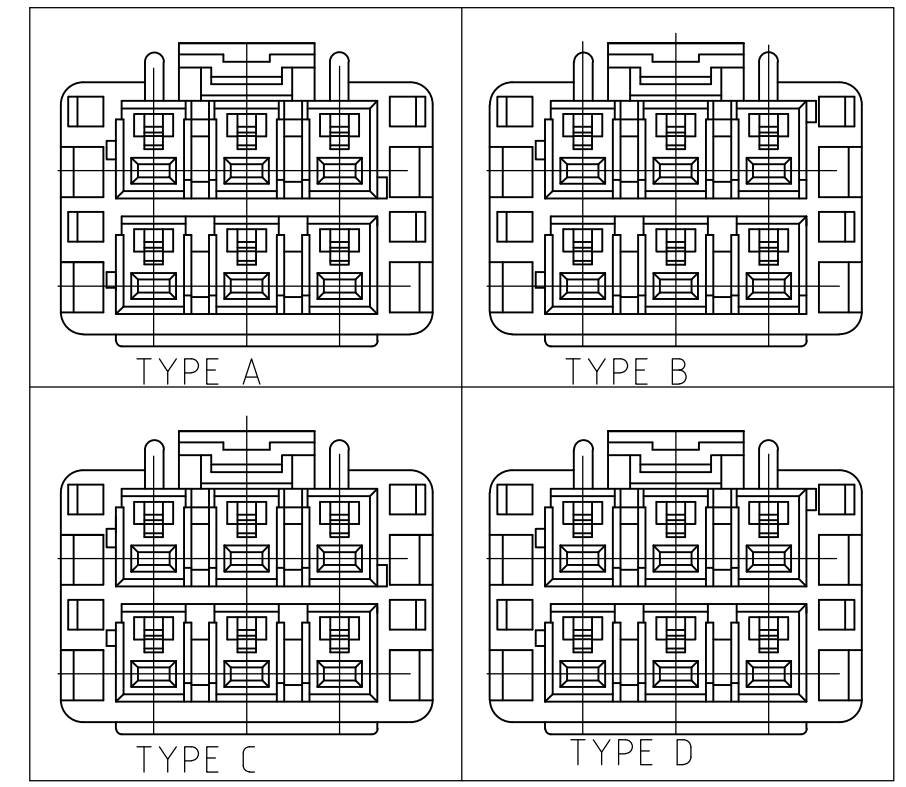
THIS DRAWING IS UNPUBLISHED. RELEASED FOR PUBLICATION
 © COPYRIGHT - By - ALL RIGHTS RESERVED.

P	LTR	DESCRIPTION	DATE	DWN	APVD
C1		REVISED PER ECO-17-008188	10NOV2017	C.X	D.Z

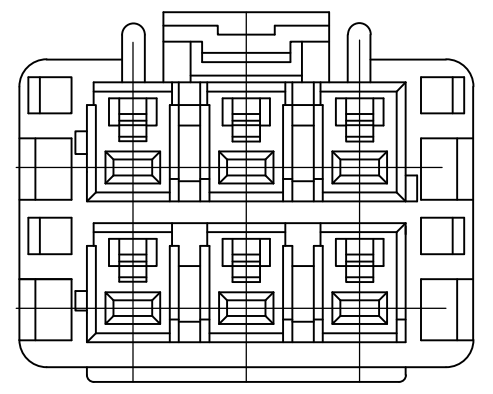
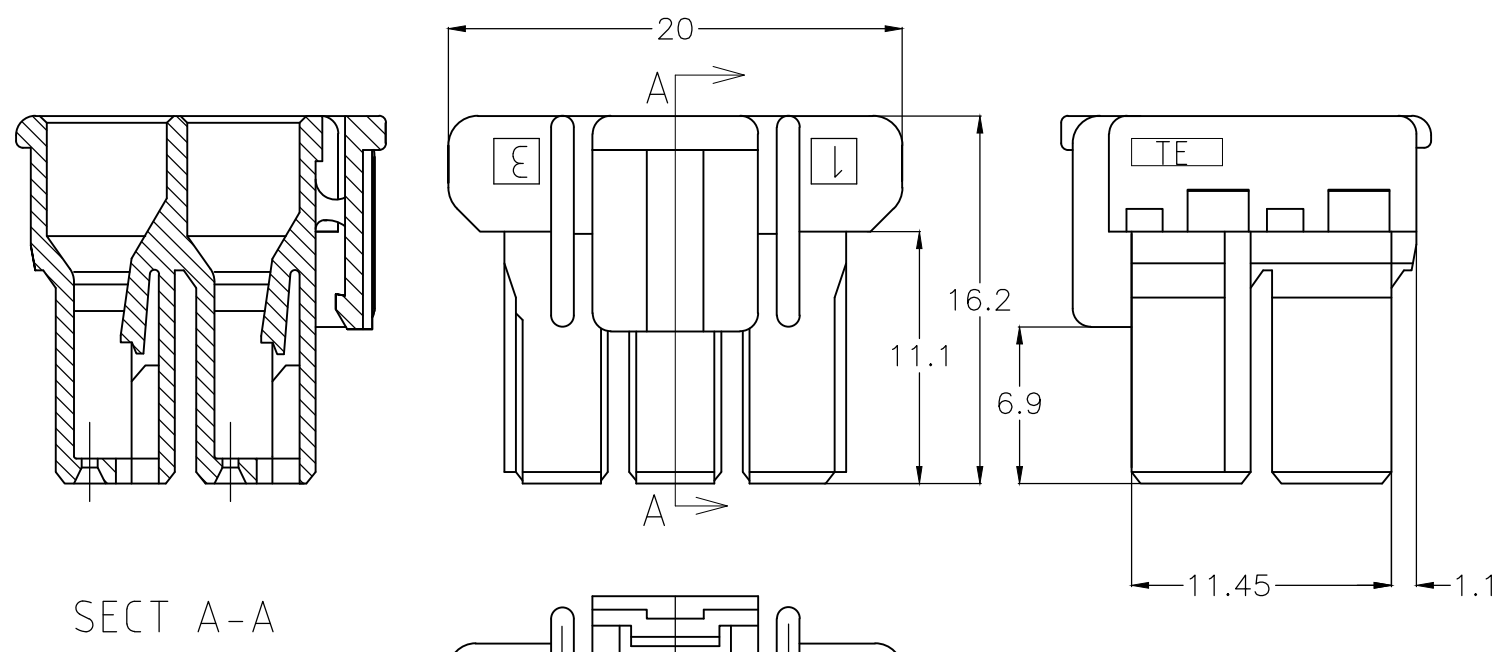


- 1 MATING CONN. P/N
HEADER ASS'Y :SEE TABLE
REC CONTACT ;1376347-1,1376348-1.
- 2 PARTS MEET IEC 60335-1 (GWT GLOW
WIRE TEST 750 DEGREE SPEC).
- 3 NYLON 66, GWT, V-0.

THE TYPE OF KEYING



HOSING	6/6 NYLON GRASS FILLED
NAME	MATERIAL



3	1376395-1	3-1376387-4	TYPE D	YELLOW	6Pos	3-1376393-4
3	1376395-1	2-1376387-3	TYPE C	BLUE	6Pos	2-1376393-3
3	1376395-1	1-1376387-2	TYPE B	RED	6Pos	1-1376393-2
3	1376395-1	1376387-1	TYPE A	NATURAL	6Pos	1376393-1

APPLICABLE PLATE. P/N	MATING CONN. P/N	THE TYPE OF KEYING	Color	Pos	PART NO.
-----------------------	------------------	--------------------	-------	-----	----------

THIS DRAWING IS A CONTROLLED DOCUMENT.		DWN A.OISHI 31AUG00	TE Connectivity		
DIMENSIONS: mm		CHK Y.KASHIWA 28AUG'00			
TOLERANCES UNLESS OTHERWISE SPECIFIED:		APVD Y.KASHIWA 28AUG'00	NAME 5.0 POWER KEY CONNECTOR 6P PLUG HOUSING(2ROW)		
0 PLC ± 0.2 1 PLC ± 2 PLC ± 3 PLC ± 4 PLC ± ANGLES ± 1°		PRODUCT SPEC 108-5699	SIZE A3		
MATERIAL SEE TABLE		FINISH SEE TABLE	APPLICATION SPEC 114-5292	CAGE CODE 00779	DRAWING NO C-1376393
		WEIGHT	RESTRICTED TO		
		CUSTOMER DRAWING		SCALE 3:1	SHEET 1 OF 2
				REV C1	

THIS DRAWING IS UNPUBLISHED.

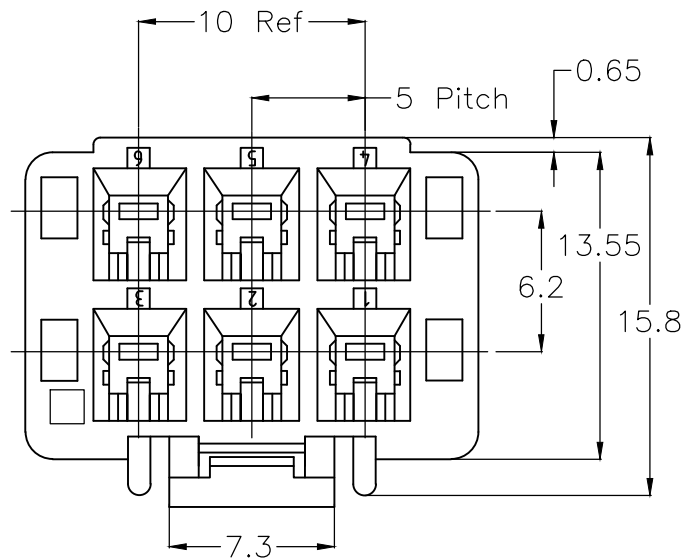
RELEASED FOR PUBLICATION

ALL RIGHTS RESERVED.

© COPYRIGHT - By -

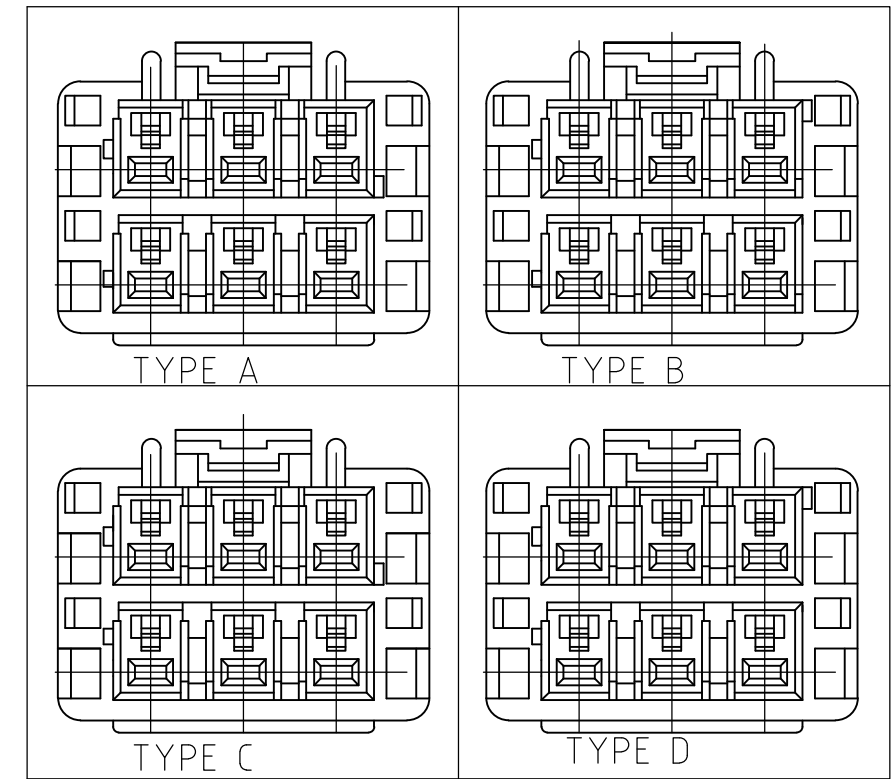
REVISIONS

P	LTR	DESCRIPTION	DATE	DWN	APVD
-	-	SEE SHEET 1	-	-	-

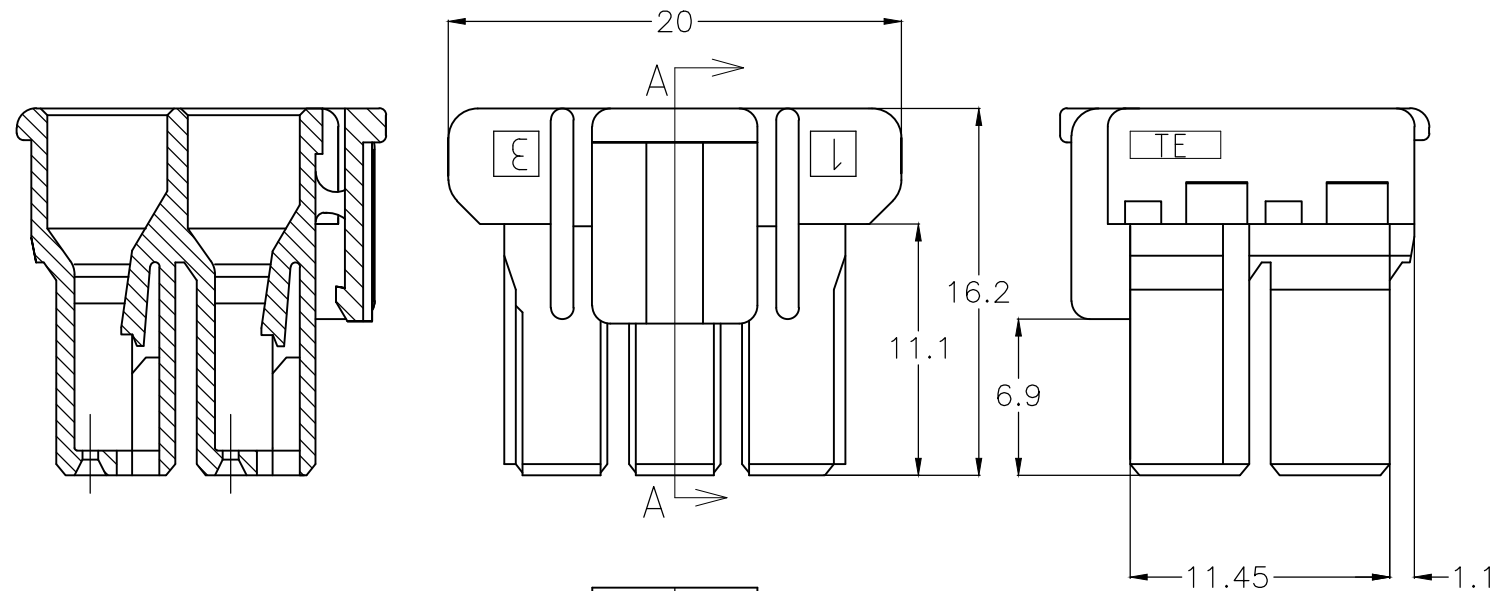


1 MATING CONN. P/N
 HEADER ASS'Y :SEE TABLE
 REC CONTACT ;1376347-1,1376348-1.

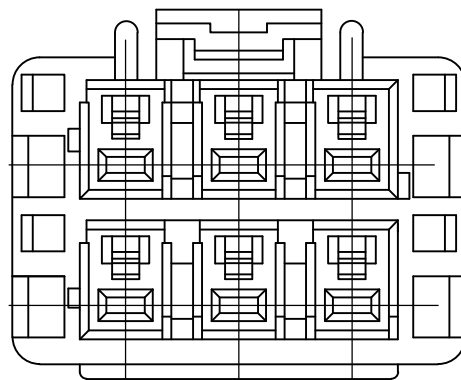
THE TYPE OF KEYING



HOSING	6/6 NYLON W/O GF
NAME	MATERIAL



SECT A-A



1376395-1	3-1376387-5	TYPE D	YELLOW	6Pos	3-1376393-5
1376395-1	2-1376387-4	TYPE C	BLUE	6Pos	2-1376393-4
1376395-1	1-1376387-3	TYPE B	RED	6Pos	1-1376393-3
1376395-1	1376387-2	TYPE A	NATURAL	6Pos	1376393-2
APPLICABLE PLATE. P/N	MATING CONN. P/N	THE TYPE OF KEYING	Color	Pos	PART NO.

THIS DRAWING IS A CONTROLLED DOCUMENT.		DWN A.OISHI 31AUG00	TE Connectivity				
DIMENSIONS: mm		CHK Y.KASHIWA 28AUG'00					
TOLERANCES UNLESS OTHERWISE SPECIFIED:		APVD Y.KASHIWA 28AUG'00	5.0 POWER KEY CONNECTOR 6P PLUG HOUSING(2ROW)				
 0 PLC ± 0.2 1 PLC ± 2 PLC ± 3 PLC ± 4 PLC ± ANGLES ± 1°		PRODUCT SPEC 108-78863					
MATERIAL SEE TABLE		FINISH SEE TABLE	APPLICATION SPEC 114-5292	SIZE A3	CAGE CODE 00779	DRAWING NO C-1376393	RESTRICTED TO -
CUSTOMER DRAWING			WEIGHT 1.73g	SCALE 3:1	SHEET 2 OF 2	REV C1	

单击下面可查看定价，库存，交付和生命周期等信息

[>>TE Connectivity\(泰科\)](#)