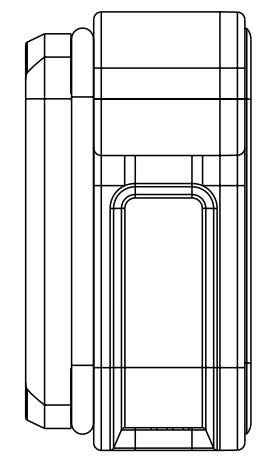
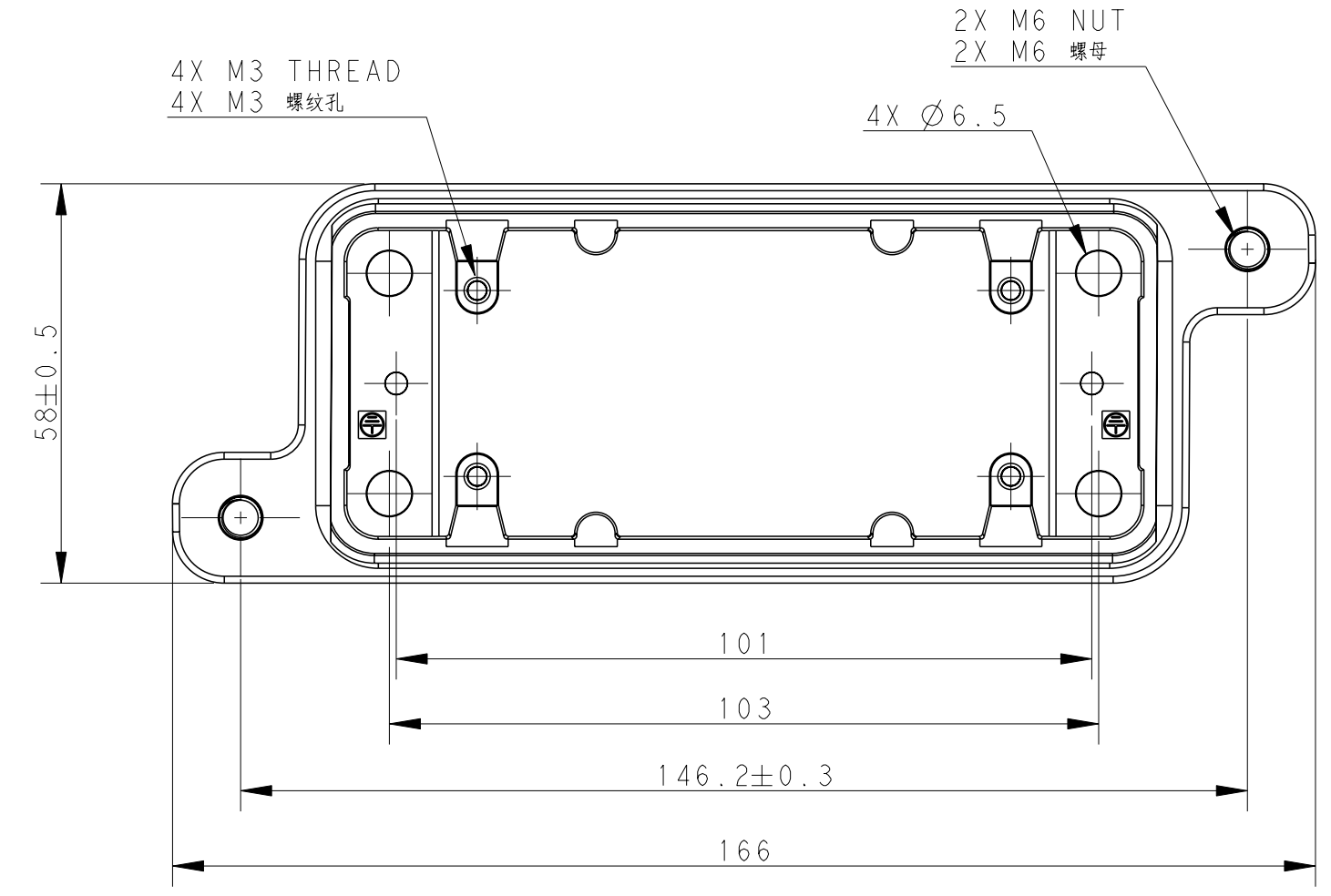


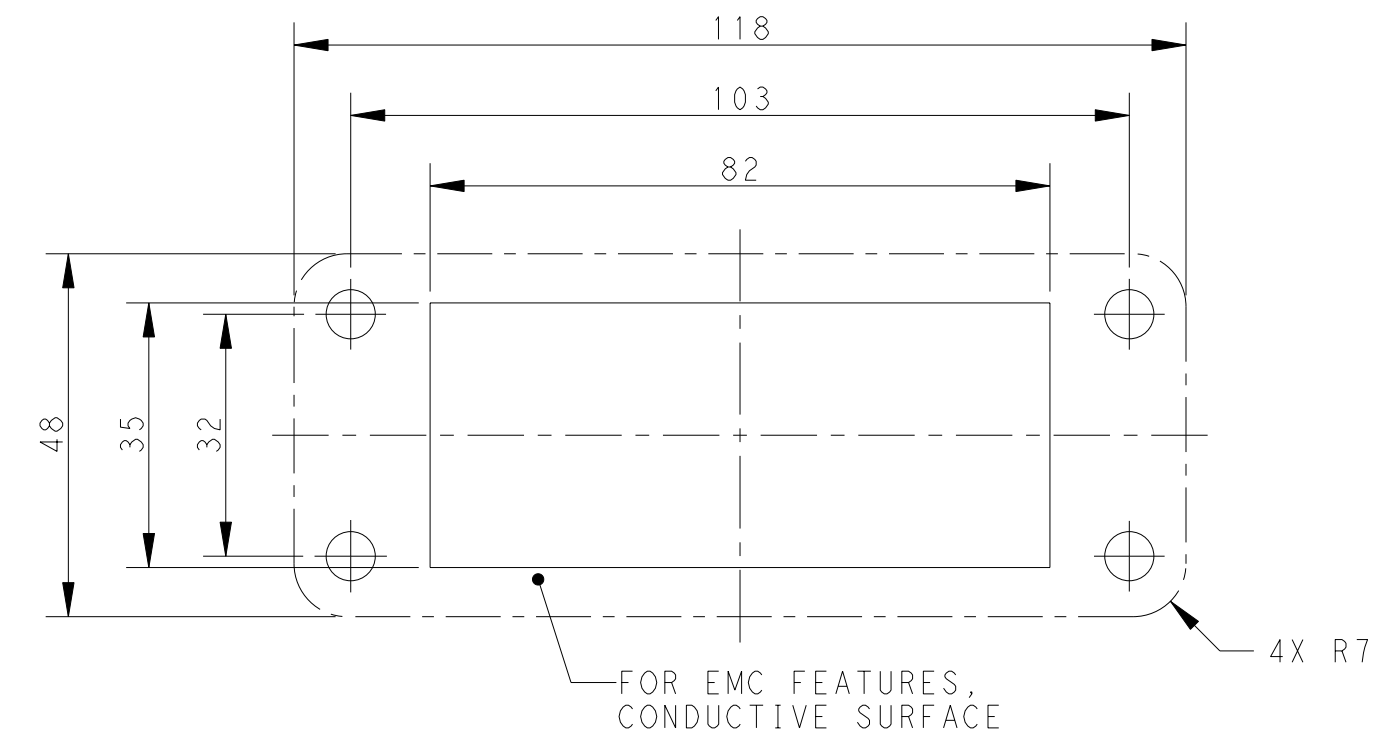
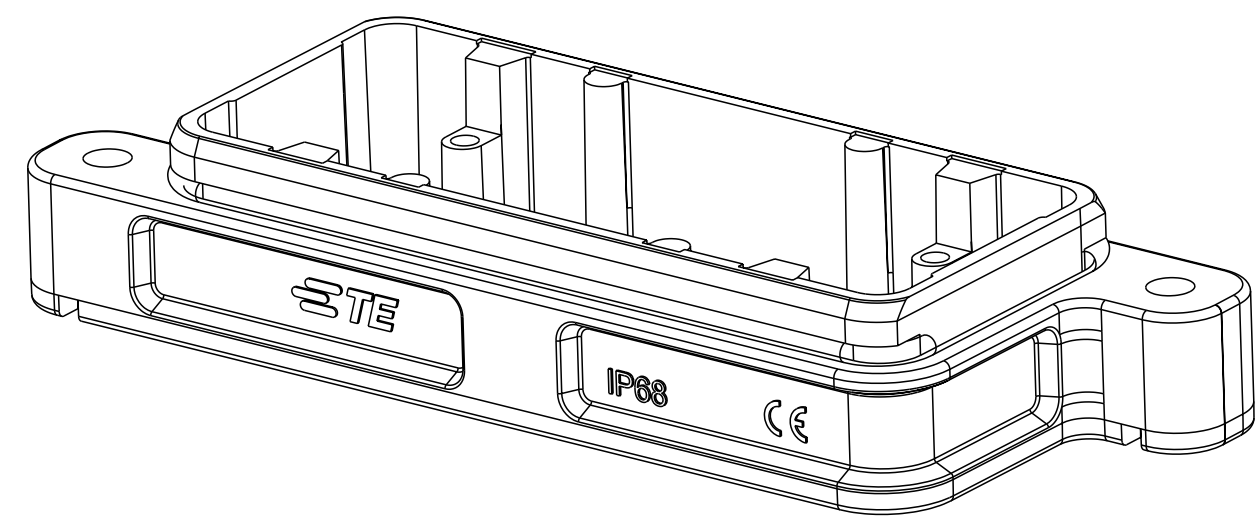
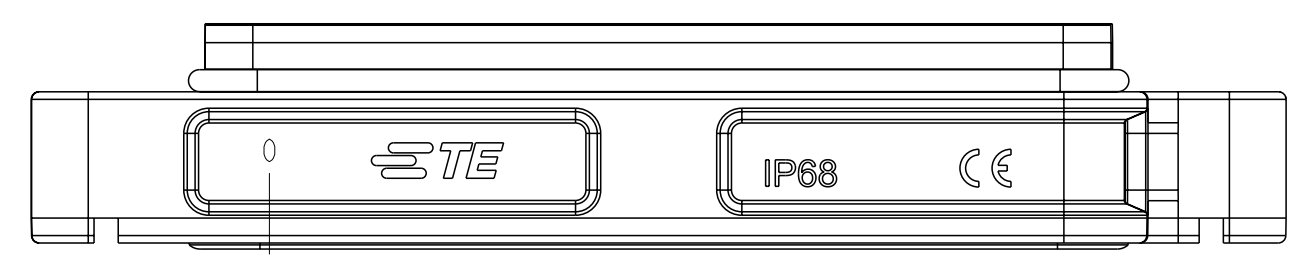
THIS DRAWING IS UNPUBLISHED. RELEASED FOR PUBLICATION 20
 © COPYRIGHT 20 BY - ALL RIGHTS RESERVED.

REVISIONS				
P	LTR	DESCRIPTION	DATE	APVD
A		INITIAL RELEASE	24AUG2016	DW CW
B		ECR-20-016312	03JUN2021	BS CW



NOTES:
 1. TECHNICAL CHARACTERISTICS:
 HOUSING MATERIAL: DIE CAST ALUMINIUM ALLOY
 SURFACE: SEE TABLE
 DEGREE OF PROTECTION: IP68 (MATED)

注释:
 1. 技术参数:
 壳体材料: 铝合金
 表面处理: 见表格
 防护等级: IP68 (配合)



Panel Cut Out Dimension, Only for Reference
 面板开口尺寸, 仅供参考

PART NUMBER 料号	PART DESCRIPTION 描述
T1930162000-009	H16BPR HOUSING, DIAGONAL LOCKING, BULKHEAD MOUNTED, POWDER COATED, GREY H16BPR 对角锁定开孔下壳 灰色
T1930161000-009	H16BPR HOUSING, DIAGONAL LOCKING, BULKHEAD MOUNTED, POWDER COATED, SILVER WHITE H16BPR 对角锁定开孔下壳 银白色
T1930160000-009	H16BPR HOUSING, DIAGONAL LOCKING, BULKHEAD MOUNTED, POWDER COATED, BLACK H16BPR 对角锁定开孔下壳 黑色

THIS DRAWING IS A CONTROLLED DOCUMENT.		DWN 24AUG2016 DAVID WANG	TE Connectivity
DIMENSIONS: mm		CHK 24AUG2016 CHRIS WANG	
TOLERANCES UNLESS OTHERWISE SPECIFIED:		APVD 24AUG2016 XIANG XU	
0 PLC ±-	1 PLC ±-	PRODUCT SPEC	NAME H16BPR-AG-EMC-C
2 PLC ±-	3 PLC ±-	108-137191	SIZE A2
4 PLC ±-	ANGLES ±-	APPLICATION SPEC	CAGE CODE -
MATERIAL -	FINISH -	114-137191	DRAWING NO. C-T193016XXXXX09
-	-	WEIGHT -	RESTRICTED TO
CUSTOMER DRAWING			SCALE 1:1 SHEET 1 OF 1 REV B

Printed on 8 Jun 2021 09:32 (China Standard Time) from TE236667

单击下面可查看定价，库存，交付和生命周期等信息

[>>TE Connectivity\(泰科\)](#)