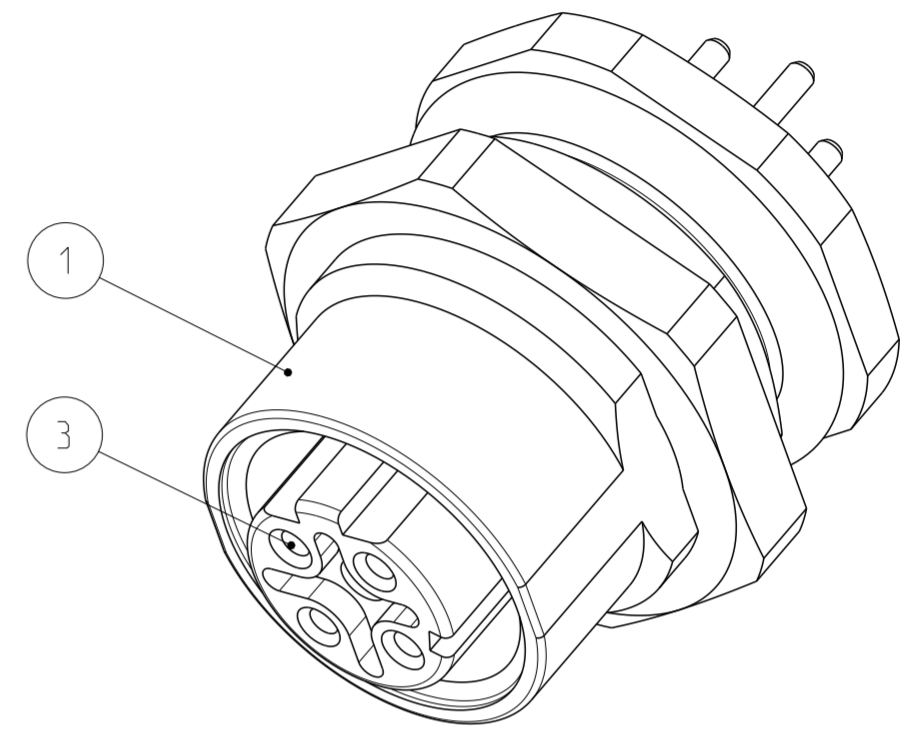
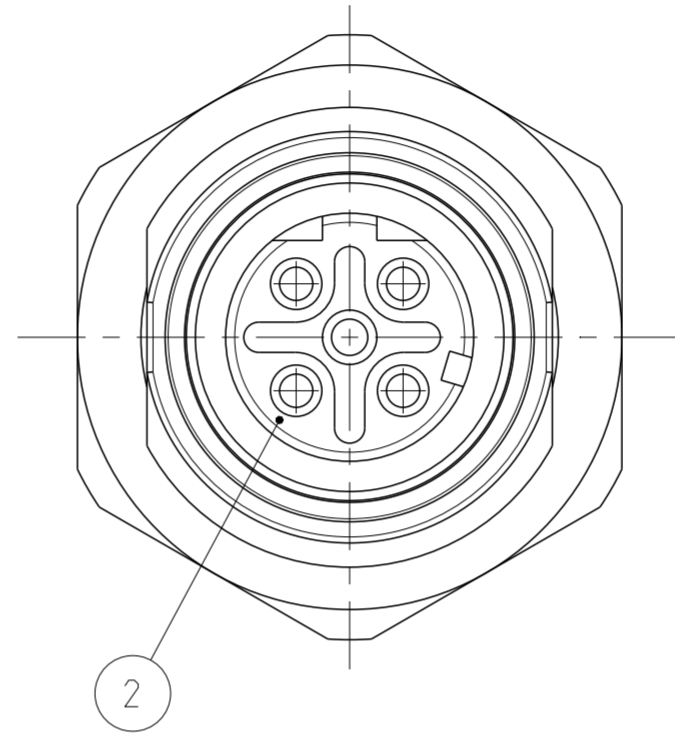
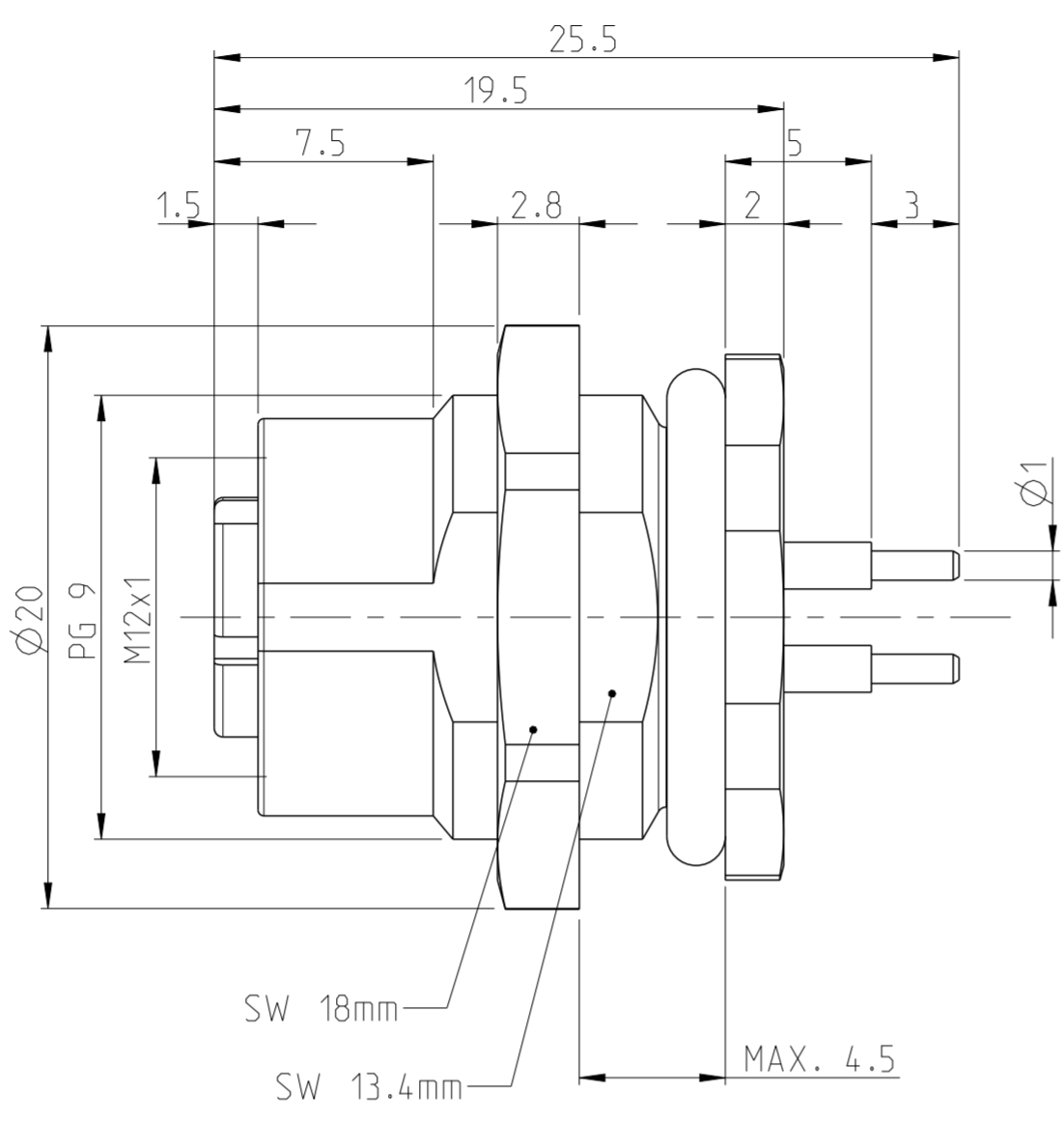


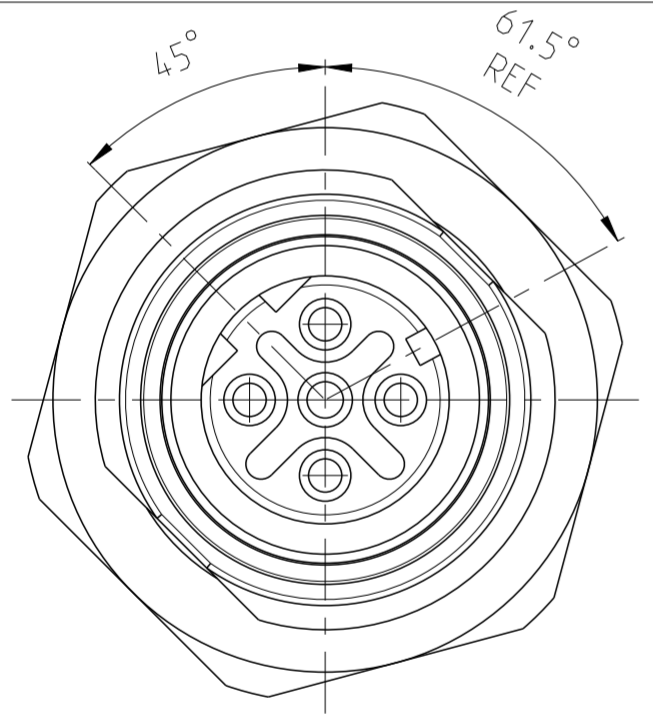
REVISIONS		DATE	DWN	APVD
P	LTR	DESCRIPTION		
	A2	ADDED PCB LAYOUT IN DRAWING	20AUG2014	YR MB

TECHNICAL DATA	
	3-2271145-2
RATED VOLTAGE	250V
RATED IMPULSE VOLTAGE	2500V
POLLUTION DEGREE	3
OVERVOLTAGE CATEGORY	II
MATERIAL GROUP	II
RATED CURRENT	4A
VOLUME RESISTIVITY	≤ 3mΩ
DEGREE OF PROTECTION	IP67
UPPER TEMPERATURE	+85°C
LOWER TEMPERATURE	-40°C

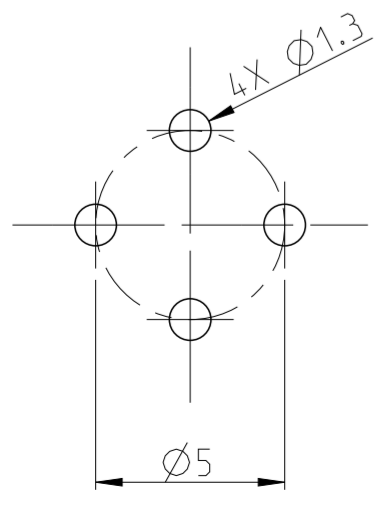


PIN ARRANGEMENT
D-CODING

3-2271145-2



PCB LAYOUT



- 1 MATERIAL: ITEM NO. 1: HOUSING - BRASS, ZINC DIECASTING, NICKEL PLATED
 ITEM NO. 2: CONTACT BODY - PA
 ITEM NO. 3: CONTACT - CuSn (BRONZE)
 CONTACT FINISH - Au (gold)
- 2 ALL DIMENSIONS ARE FOR NOMINAL REFERENCE ONLY UNLESS OTHERWISE STATED
- 3 PACKAGING: 20 PIECE IN A BAG

3-2 AS SHOWN
WIE GEZEICHNET

24 / 0.25mm ²	⚠	4	3-2271145-2
WIRES AWG / mm ²	MATERIAL	NUMBER OF POLES	TE-PART-NO.

DIESE ZEICHNUNG IST EIN KONTROLLIERTES DOKUMENT. BEMASSUNGEN UND TOLERANZEN GEMAESS GPS (ISO STANDARDS).		DWN YASHKUMAR 15MAY2014	
THIS DRAWING IS A CONTROLLED DOCUMENT. DIMENSIONING AND TOLERANCING PER GPS (ISO STANDARDS).		CHK M.STRELOW 15MAY2014	
DIMENSIONS: MASSEINHEITEN: (MM)		APVD C.SCHREITLINGER 15MAY2014	
TOLERANCES UNLESS OTHERWISE SPECIFIED: ALLGEMEINTOLERANZEN		NAME	
0 PLC ±	1 PLC ±	M12 RECEPTACLE, FEMALE, PCB MOUNT, PANEL REAR, STRAIGHT, D-CODED	
2 PLC ±	3 PLC ±	PRODUCT SPEC 108-19483	
4 PLC ±	ANGLES/WINKEL ±	APPLICATION SPEC 114-32127	
MATERIAL SEE NOTES	FINISH/OBERFLAECHE/FARBE SEE NOTES	WEIGHT GEWICHT -	RESTRICTED TO NUR FUER -
Customer Drawing		SIZE A2	CAGE CODE 00779
		DRAWING NO. ZEICHNUNGS-NR. C-2271145	REVISIONS NR. REV A2
		SCALE MASSSTAB 4:1	SHEET BLATT 1 OF VON 1

SIZE ISO 14405 (E)

单击下面可查看定价，库存，交付和生命周期等信息

[>>TE Connectivity\(泰科\)](#)