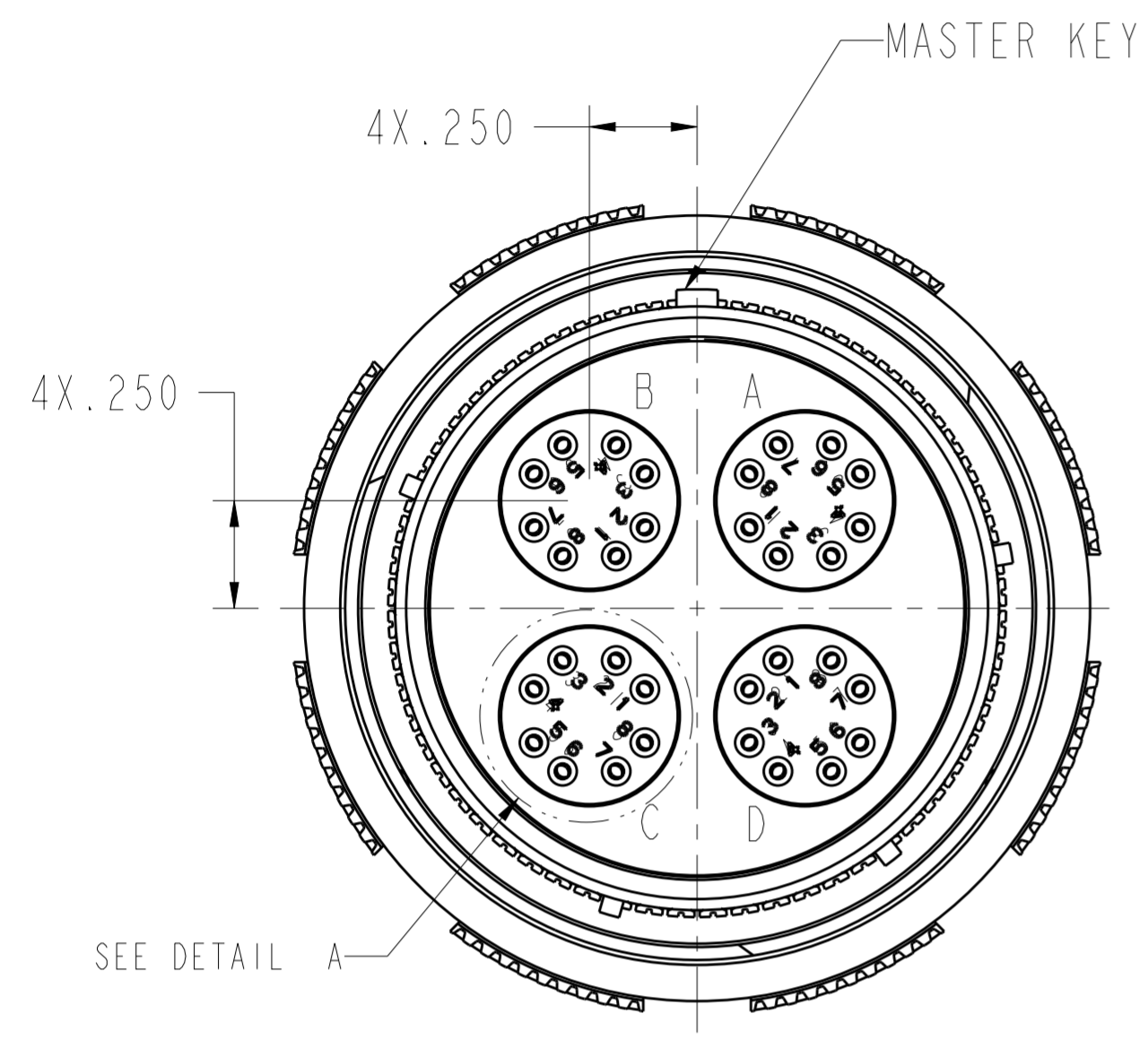


THIS DRAWING IS UNPUBLISHED. RELEASED FOR PUBLICATION 20  
 © COPYRIGHT 20 ALL RIGHTS RESERVED.

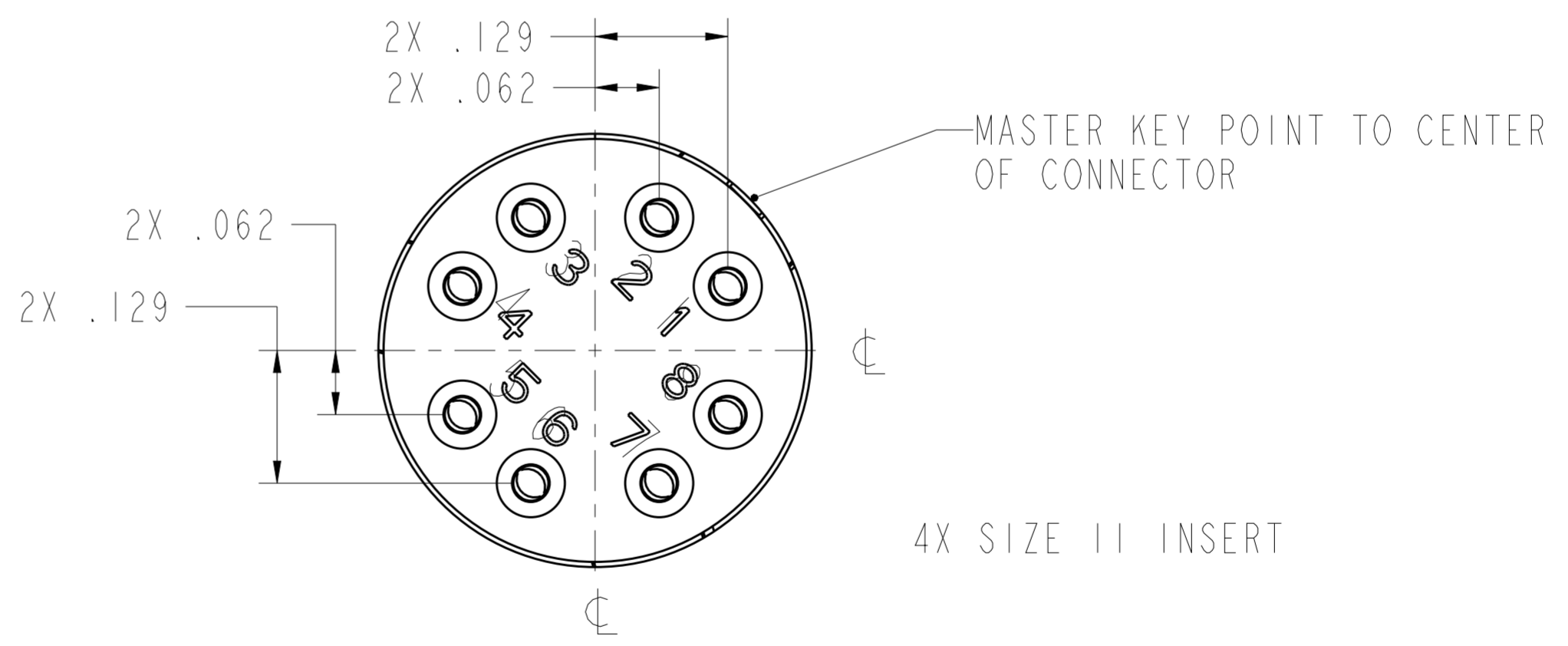
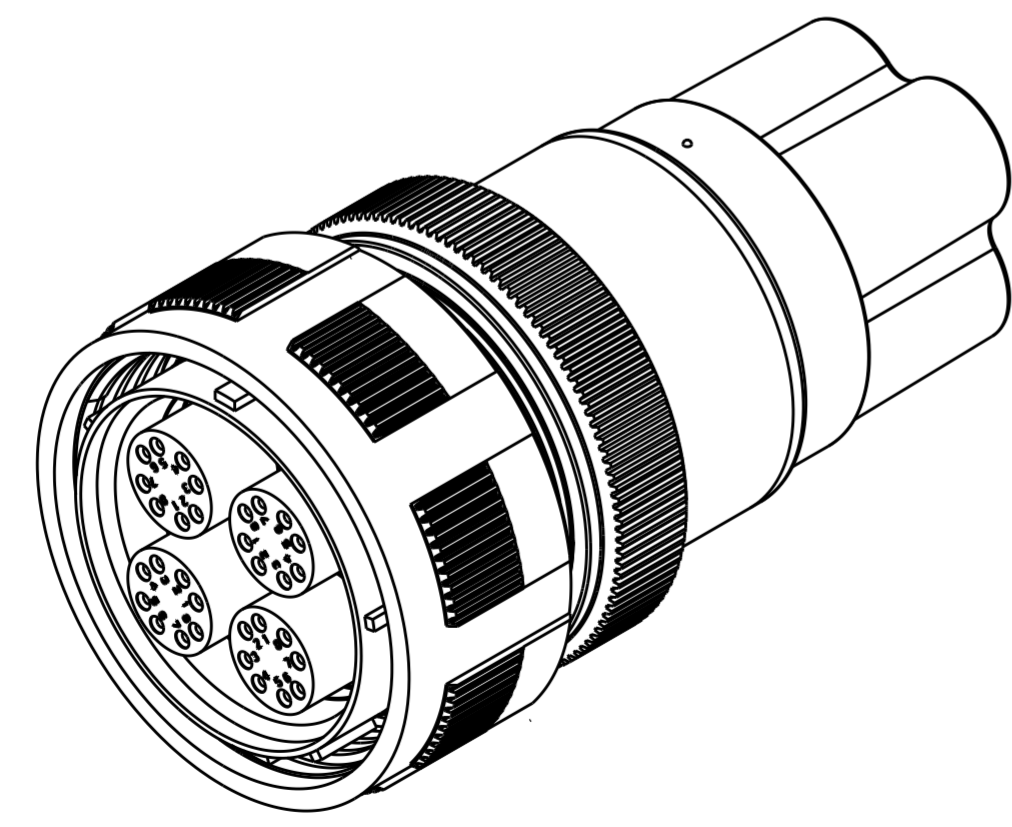
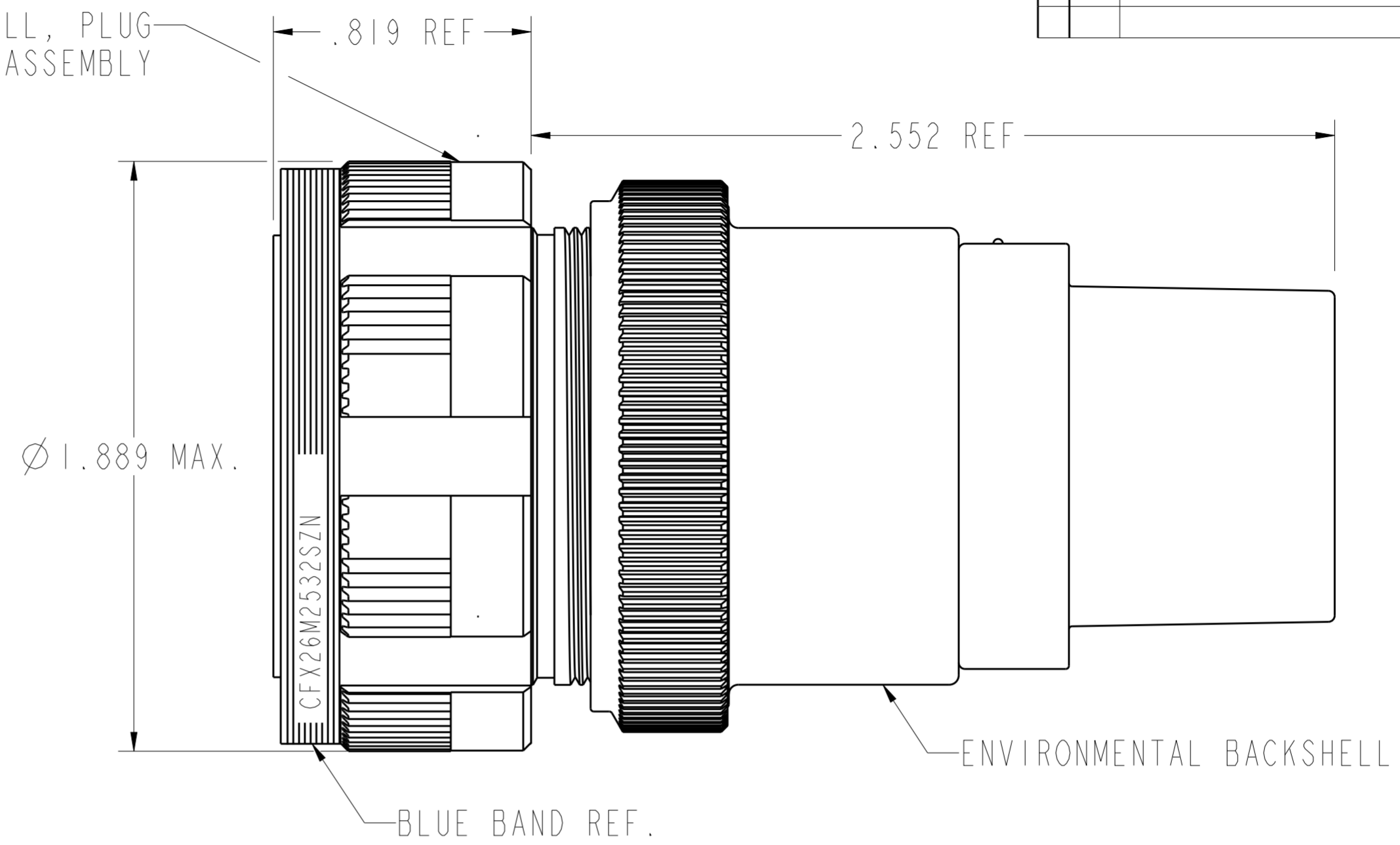
PROPERTY OF THE TE CONNECTIVITY  
 THIS INFORMATION IS CONFIDENTIAL AND PROPERTY TO TYCO ELECTRONICS CORPORATION  
 AND ITS WORLDWIDE SUBSIDIARIES AND AFFILIATES (TE). IT MAY NOT BE DISCLOSED TO  
 ANYONE, OTHER THAN TE PERSONNEL, WITHOUT AUTHORIZATION FROM TE (www.TE.com).

LOC		DIST		REVISIONS			
P	LTR	DESCRIPTION	DATE	DWN	APVD		
	A	NEW RELEASE PER ECO-16-000996	160122	JPF	JPF		



SOCKET INSERT MARKING SHOWN ABOVE

SHELL, PLUG  
 R.F.I. ASSEMBLY



DETAIL A  
 SCALE 7.000  
 TYPICAL, 4 PLACES

SEE SHEET 2 FOR APPLICABLE NOTES

THIS DRAWING IS A CONTROLLED DOCUMENT.		DWN	JPF	140219	 TE Connectivity							
DIMENSIONS: INCH		CHK	JPF	160122								
TOLERANCES UNLESS OTHERWISE SPECIFIED:		APVD	AR	160122								
0 PLC ±1 1 PLC ±0.1 2 PLC ±0.01 3 PLC ±0.005 4 PLC ±0.0005 ANGLES ±0.5 FINISH		PRODUCT SPEC	NAME			CONNECTOR, PLUG THREADED COUPLING 2532 ARRANGEMENT						
MATERIAL	3.	WEIGHT	-		SIZE	A2	CAGE CODE	111139	DRAWING NO	CFX26x2532xxx	RESTRICTED TO	-
CUSTOMER DRAWING		SCALE		2.500	SHEET		1	OF		2	REV	A

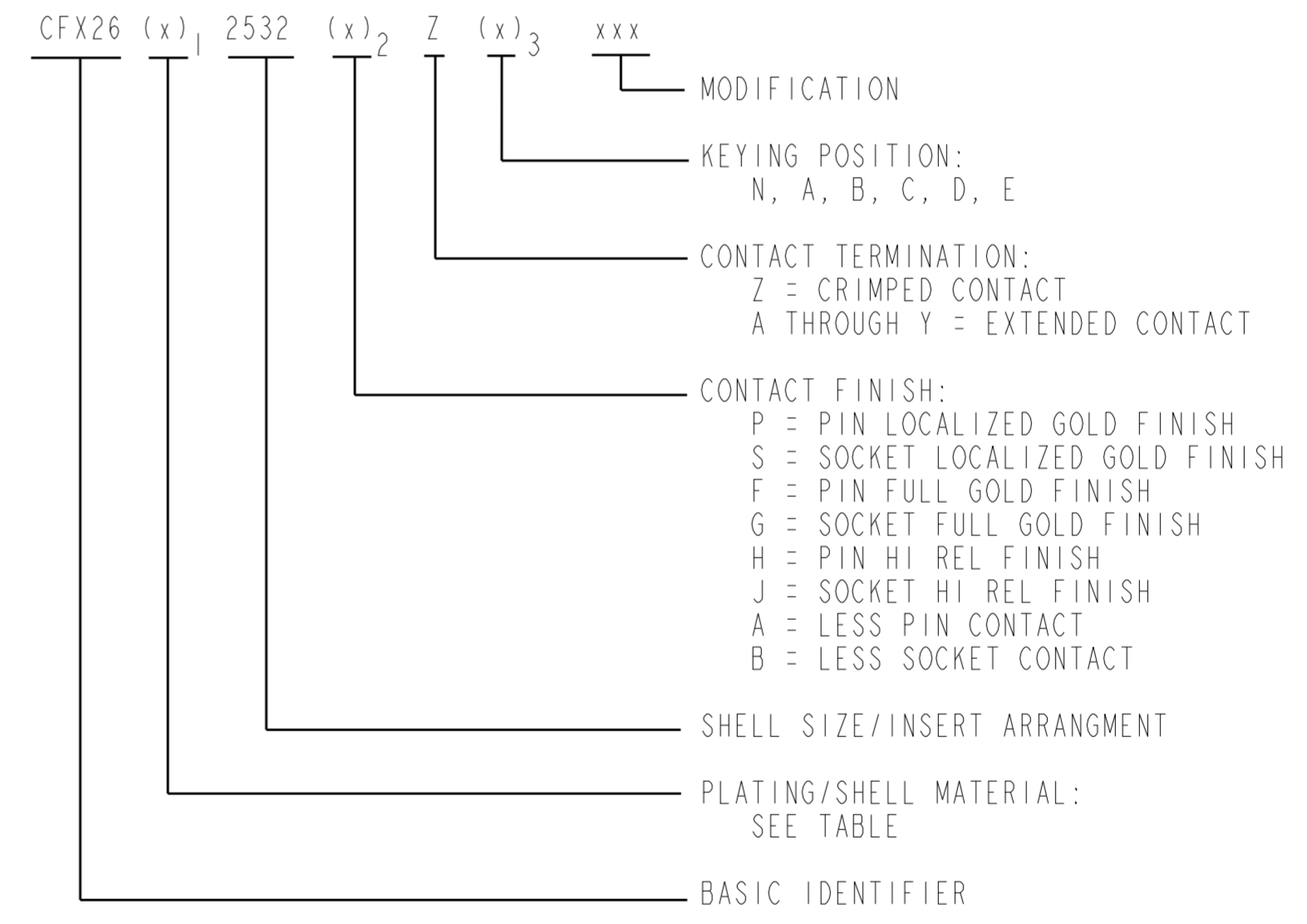
THIS DRAWING IS UNPUBLISHED. RELEASED FOR PUBLICATION 20  
 © COPYRIGHT 20 ALL RIGHTS RESERVED.

PROPERTY OF THE TE CONNECTIVITY  
 THIS INFORMATION IS CONFIDENTIAL AND PROPERTY TO TYCO ELECTRONICS CORPORATION  
 AND ITS WORLDWIDE SUBSIDIARIES AND AFFILIATES (TE). IT MAY NOT BE DISCLOSED TO  
 ANYONE, OTHER THAN TE PERSONNEL, WITHOUT AUTHORIZATION FROM TE (www.TE.com).

REVISIONS					
P	LTR	DESCRIPTION	DATE	DWN	APVD
-	-	SEE SHEET 1	-	-	-

PART NUMBER (x) <sub>1</sub>	PLATING	SHELL MATERIAL
M	NICKEL	COMPOSITE
J	O.D. CAD	COMPOSITE
F	NICKEL	ALUMINUM
W	O.D. CAD	ALUMINUM
S	NICKEL	STAINLESS STEEL
T	TEFLON NICKEL	ALUMINUM
Z	BLACK ZINC NICKEL	ALUMINUM

SIZE 25 PART NUMBER(x) <sub>3</sub>	POS
CFX26x2532xZN	N
CFX26x2532xZA	A
CFX26x2532xZB	B
CFX26x2532xZC	C
CFX26x2532xZD	D
CFX26x2532xZE	E



6. COMPOSITE WEIGHT WITHOUT MODULES AND CABLE: 0.206 POUNDS.  
 METAL WEIGHT WITHOUT MODULES AND CABLE: 0.246 POUNDS.  
 PIN MODULE, FOLLOWER AND BRAID SUPPORTS WEIGHT: .011 LBS.  
 SOCKET MODULE, FOLLOWER AND BRAID SUPPORTS WEIGHT: .017 LBS.

5. MATES WITH CFX20x2532xxx OR CFX24x2532xxx.

- 4. FINISH: SHELL/BACKSHELL - SEE TABLE.  
CONTACTS - SEE PART NUMBER BREAKDOWN.
- 3. MATERIAL: SHELL & COUPLING RING - SEE TABLE.  
BACKSHELL BODY/COUPLING RING - ALUMINUM ALLOY.  
CONTACTS - COPPER ALLOY.  
RESILIENT INSERTS/BACKSHELL GROMMET - SILICONE ELASTOMER.  
PLASTIC INSERTS - THERMOPLASTIC.
- 2. FOR AVAILABILITY CONSULT FACTORY.

1. ALL DIMENSIONS ARE IN INCHES UNLESS OTHERWISE SPECIFIED.

THIS DRAWING IS A CONTROLLED DOCUMENT.		DWN: JPF 140219	 TE Connectivity
DIMENSIONS: INCH		CHK: JPF 160122	
TOLERANCES UNLESS OTHERWISE SPECIFIED:		APVD: AR 160122	
0 PLC ±1 1 PLC ±0.1 2 PLC ±0.01 3 PLC ±0.005 4 PLC ±0.0005 ANGLES ±0.5 FINISH		PRODUCT SPEC: -	NAME: CONNECTOR, PLUG THREADED COUPLING 2532 ARRANGEMENT
MATERIAL: 3.		APPLICATION SPEC: -	SIZE: A2
4.		WEIGHT: -	CAGE CODE: 111139
		Customer Drawing	DRAWING NO: C-CFX26x2532xxx
		SCALE: 2.500	RESTRICTED TO: -
		SHEET: 2 OF 2	REV: A

单击下面可查看定价，库存，交付和生命周期等信息

[>>TE Connectivity\(泰科\)](#)