

THIS DRAWING IS UNPUBLISHED.

RELEASED FOR PUBLICATION

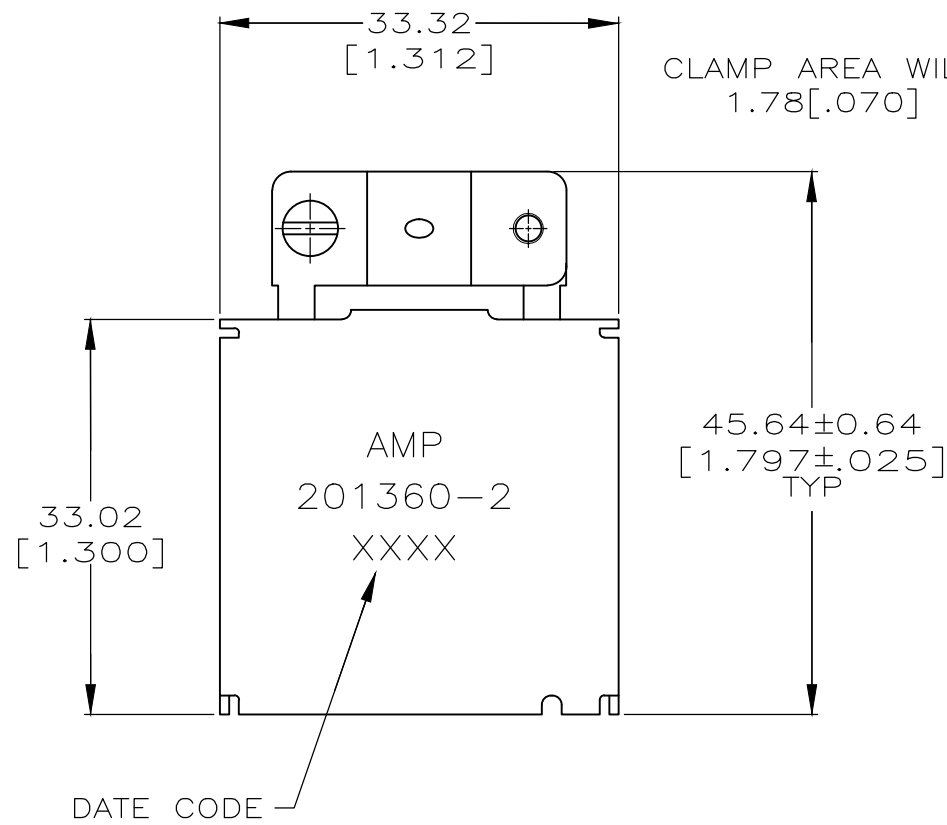
---

REVISIONS

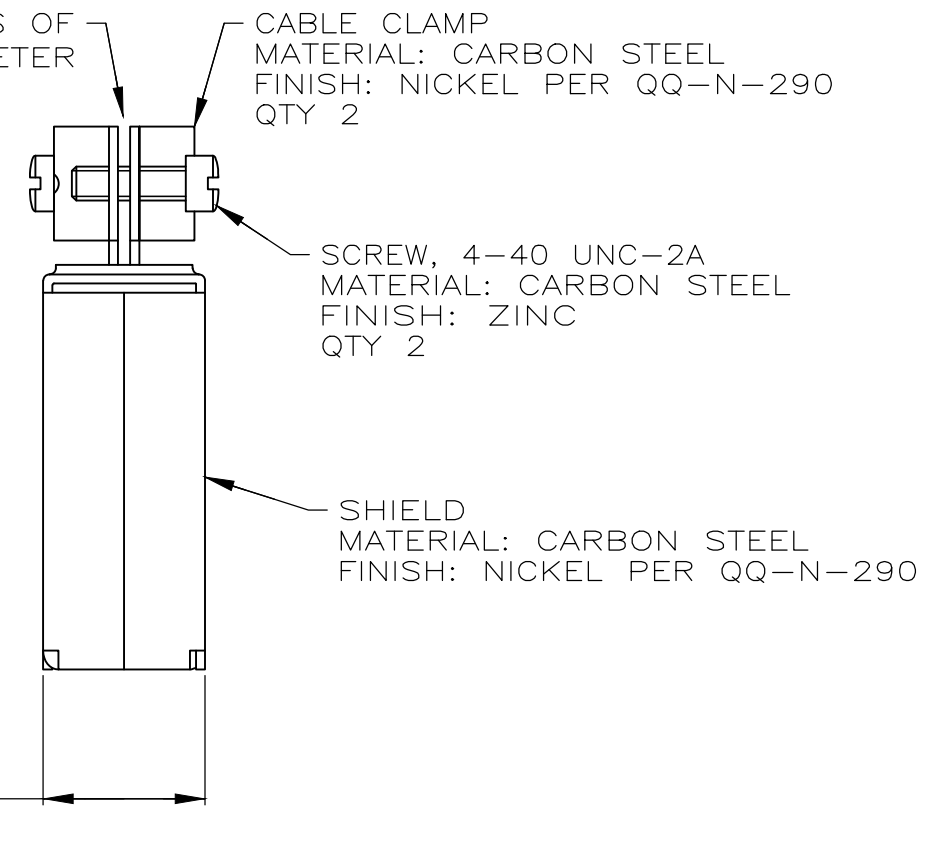
© COPYRIGHT - TE Connectivity Ltd.

ALL RIGHTS RESERVED.

P	LTR	DESCRIPTION	DATE	DWN	APVD
	N	REVISED PER ECO-18-007239	18MAY2018	KH	MZ



CLAMP AREA WILL ACCEPT 14 WIRES OF 1.78[.070] MAX OUTSIDE DIAMETER



201360-2

PART NUMBER

THIS DRAWING IS A CONTROLLED DOCUMENT.		DWN C.OBERMAN 25 SEP 95	<b>STE</b> TE Connectivity Ltd.		
DIMENSIONS: mm [INCHES]		CHK R.STONE 25 SEP 95			
TOLERANCES UNLESS OTHERWISE SPECIFIED:		APVD G.A.STEINHAUER 05 NOV 95	NAME SHIELD KIT, UNASSEMBLED, SHORT 14 POSITION, M SERIES		
0 PLC ± -		PRODUCT SPEC	SIZE		
1 PLC ± -		APPLICATION SPEC	CAGE CODE		
2 PLC ± 0.38[.015]		—	DRAWING NO		
3 PLC ± -		—	RESTRICTED TO		
4 PLC ± -		—	A300779		
ANGLES ± -		—	G-201360		
MATERIAL SEE CALLOUTS		FINISH SEE CALLOUTS	WEIGHT 0		
			CUSTOMER DRAWING		
			SCALE 2:1		
			SHEET 1 OF 1		
			REV N		

单击下面可查看定价，库存，交付和生命周期等信息

[>>TE Connectivity\(泰科\)](#)