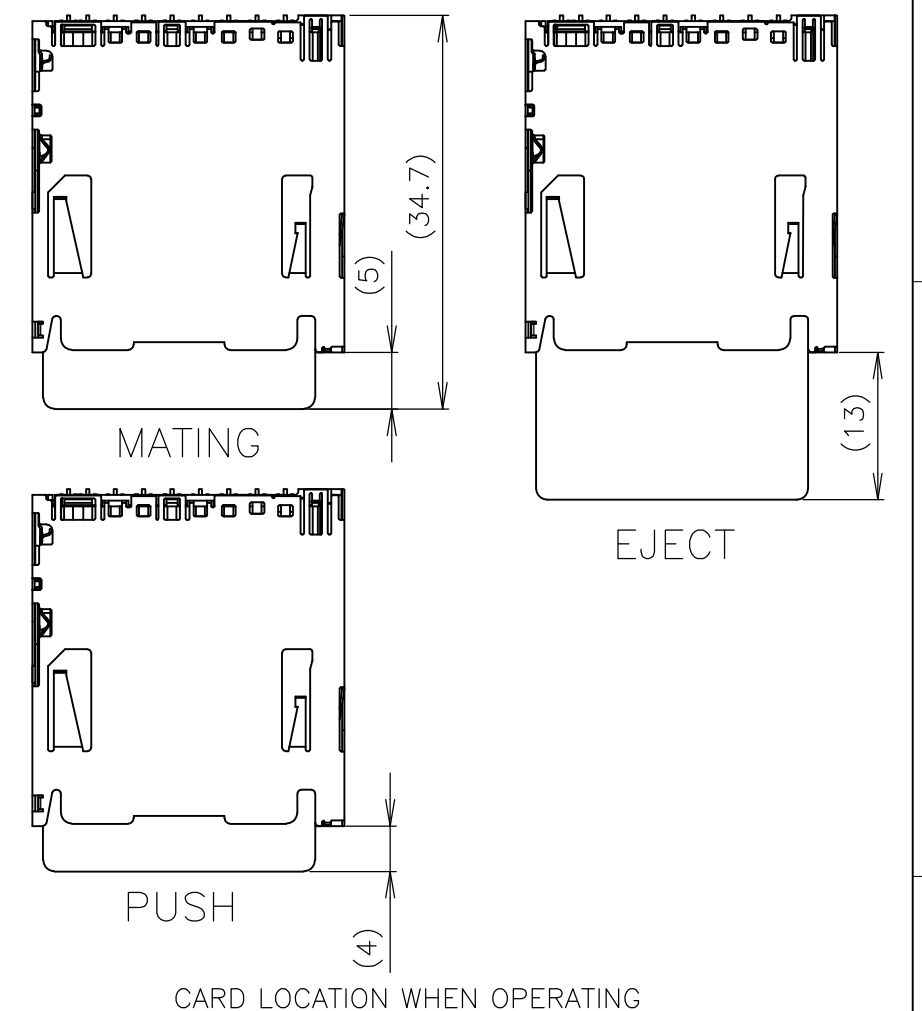
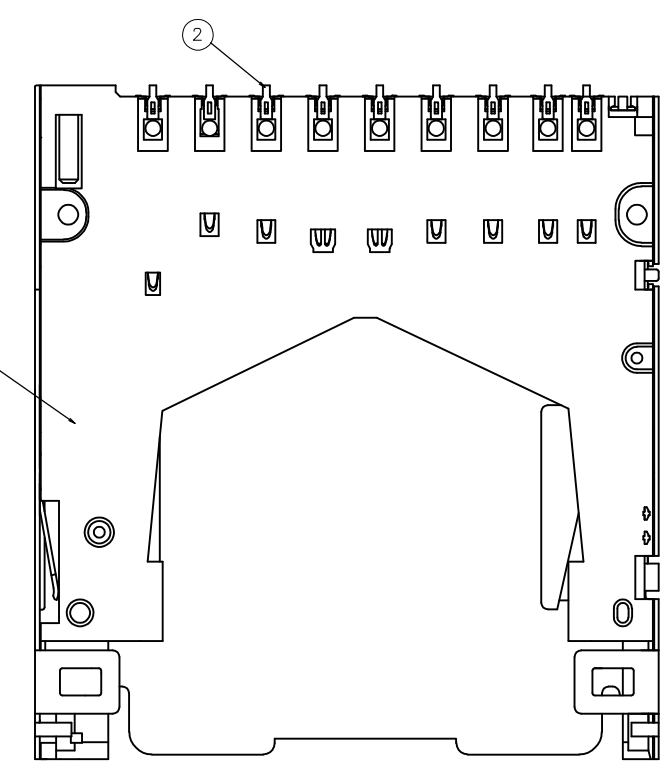
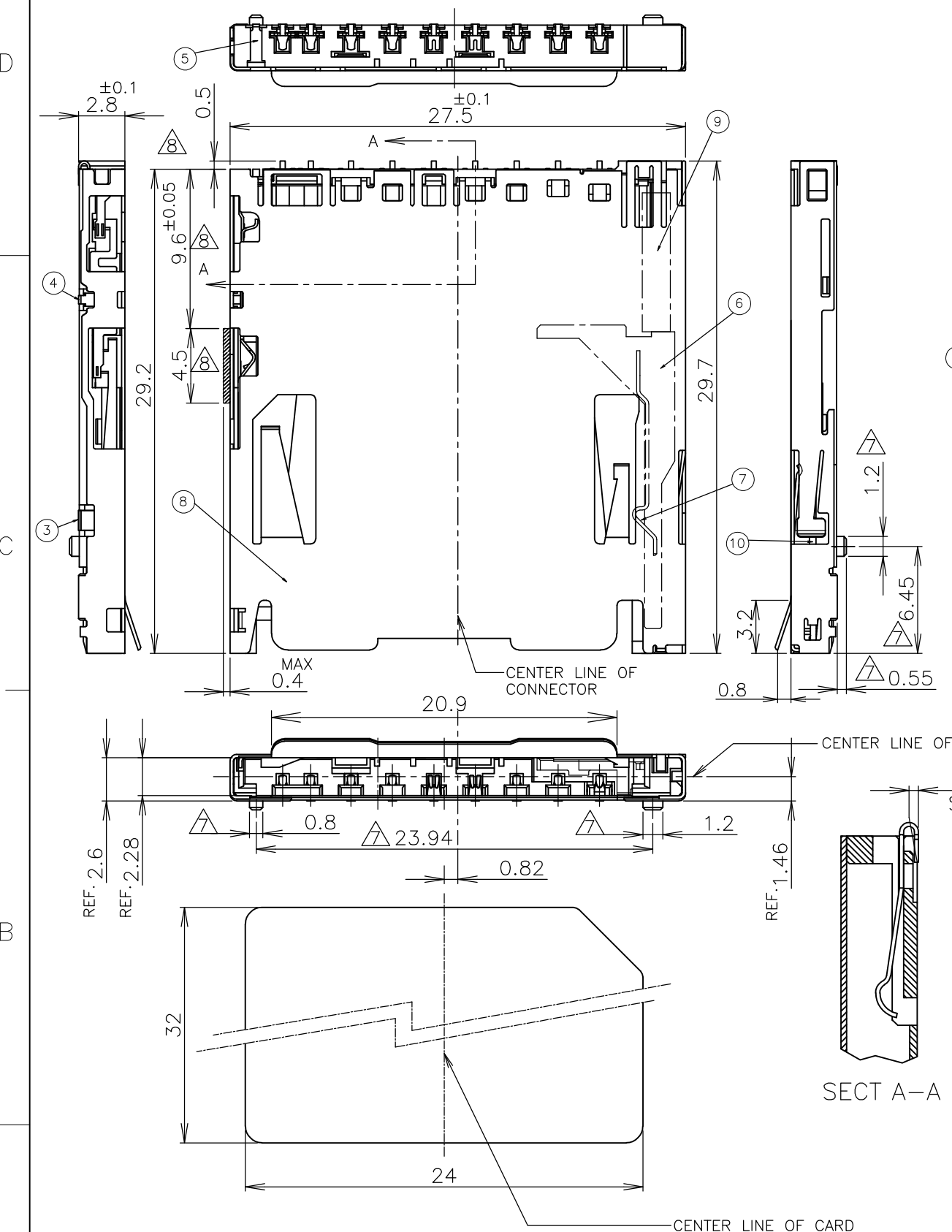
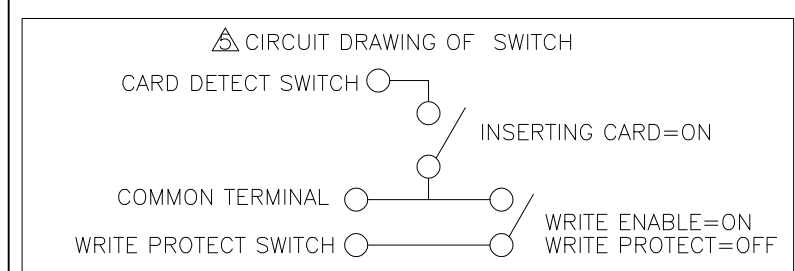


LOC		DIST		REVISIONS			DATE	DWN	APVD
J		/		P	LTR	DESCRIPTION			
				D		REVISED	04SEP2015	M.T	K.K



- ▲ カード認識スイッチ用パッド
- ▲ コモン端子用パッド
- ▲ ライトプロテクトスイッチ用パッド
- 4 カード挿入時の接触の順番
PIN #3,4 — PIN #2,5,6,7,8,9
カード認識スイッチ — PIN #1 ←
- ▲ スイッチの回路図
- 6 本製品は浸漬による洗浄は行わないこと。
- ▲ ボス無しタイプには、適用なし。
- ▲ スイッチ可動エリア
- ▲ 材料 & 仕上げはテーブルを参照のこと。
- 10 コプラナリティは、0.1mm以下。
- ▲ PAD FOR CARD DETECT SWITCH
- ▲ PAD FOR COMMON TERMINAL
- ▲ PAD FOR WRITE PROTECT SWITCH
- 4 THE SEQUENCE OF CONTACT DURING CARD INSERTION
PIN #3,4 — PIN #2,5,6,7,8,9
CARD DETECT SWITCH — PIN #1 ←
- ▲ CIRCUIT DRAWING OF SWITCH
- 6 DON'T WASH BY IMMERSING THE CONNECTOR IN FLUID
- ▲ NO APPLIED TO WITHOUT BOSS TYPE.
- ▲ SWITCH MOVING AREA
- ▲ REFER TO THE TABLE FOR MATERIAL AND FINISH.
- 10 COPLANARITY IS 0.1MM MAX.

ITEM	DESCRIPTION	MATERIAL	FINISH	QTY
10	CAM ROD	SUS	-	1
9	COIL SPRING	SWP	-	1
8	SHELL	COPPER ALLOY	TIN PLATE	1
7	HOOK SPRING	SUS	-	1
6	SLIDER	THERMOPLASTIC	-	1
5	SWITCH C	COPPER ALLOY	Au ON CONTACT AREA OVER Ni AND Sn ON SOLDER TINE OVER Ni.	1
4	SWITCH B	COPPER ALLOY	Au ON CONTACT AREA AND SOLDER TINE OVER Ni.	1
3	SWITCH A	COPPER ALLOY	Au ON CONTACT AREA OVER Ni AND Sn ON SOLDER TINE OVER Ni.	1
2	CONTACT	COPPER ALLOY	Au ON CONTACT AREA OVER Ni AND Sn ON SOLDER TINE OVER Ni.	1
1	HOUSING	THERMOPLASTIC	-	1
ITEM	DESCRIPTION	▲ MATERIAL	▲ FINISH	QTY



-1, -2 : AS SHOWN

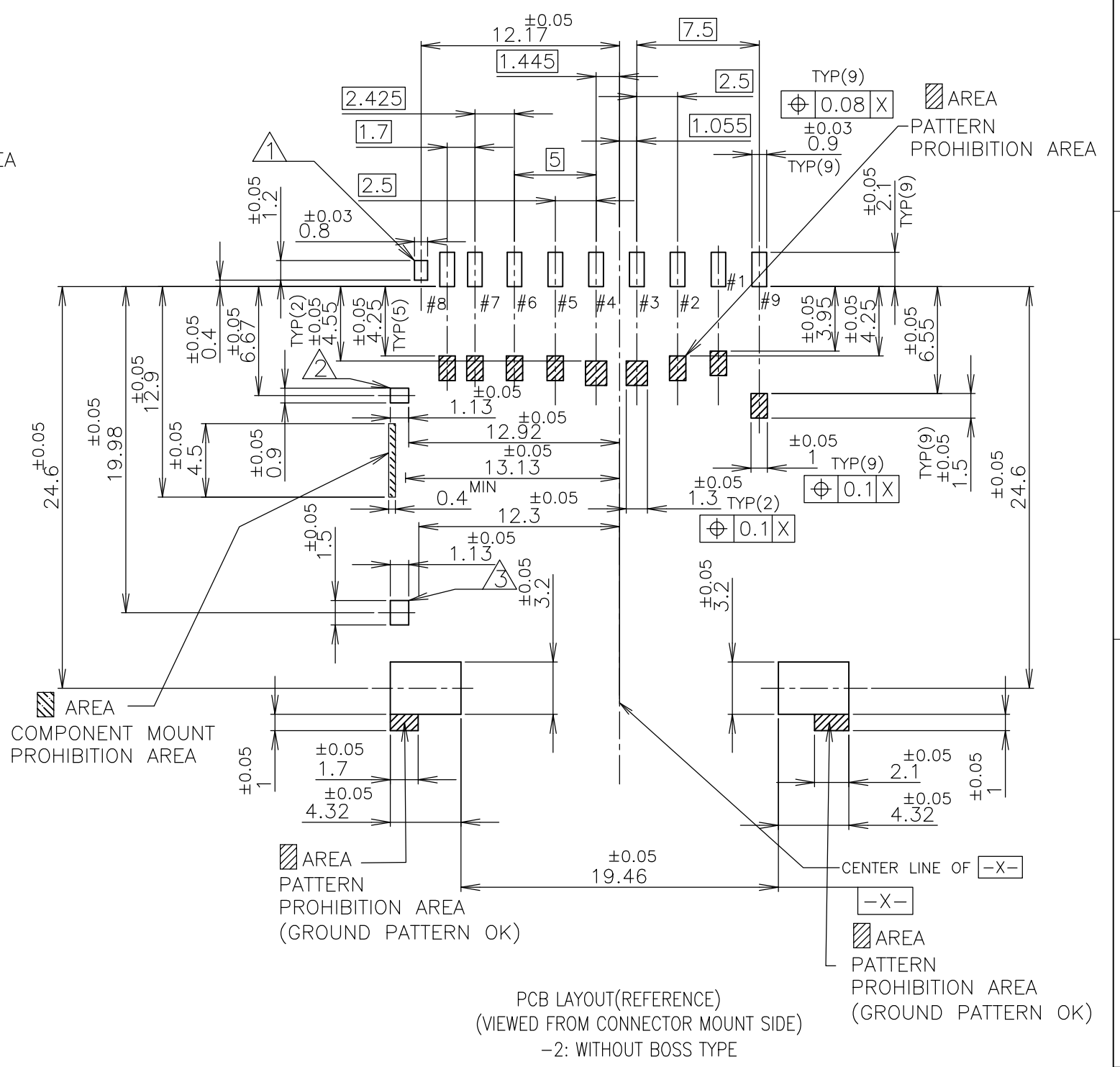
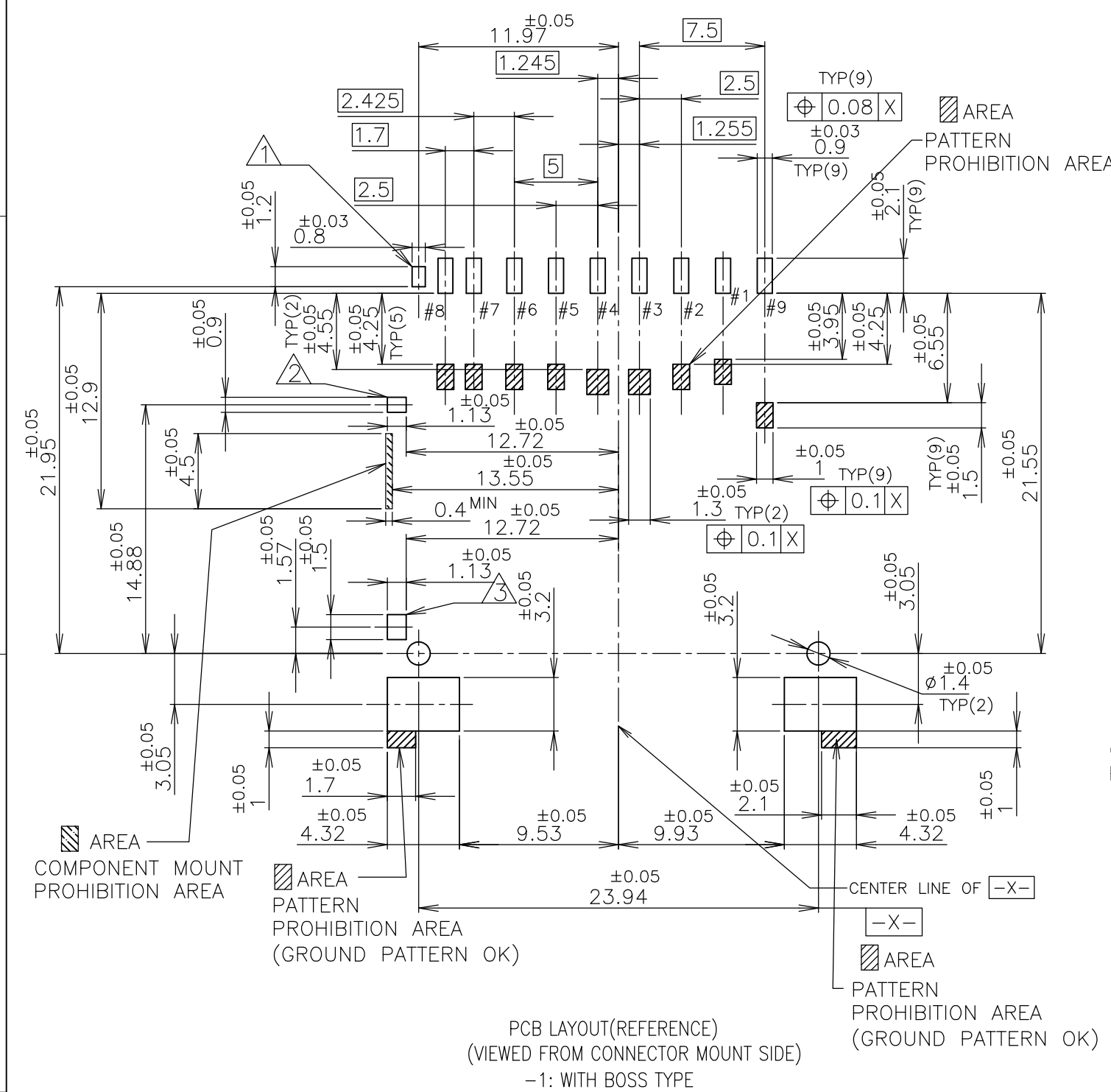
WITHOUT	1939870-2
WITH	1939870-1
BOSS	PART NUMBER

THIS DRAWING IS A CONTROLLED DOCUMENT.

DIMENSIONS: 単位: 耗 MM	TOLERANCES UNLESS OTHERWISE SPECIFIED: 一般公差	DWN Y.OKOSHI 05SEP06				
	0 PLC ± 0.3 1 PLC ± 0.3 2 PLC ± 0.3 3 PLC ± 0.3 4 PLC ± 0.3 ANGLES ± 3°	CHK Y.NAKAZAWA 05SEP06			NAME 名称	
		APVD Y.YAMAMOTO 05SEP06			PRODUCT SPEC 製品規格 108-78220	
		APPLICATION SPEC 取付適用規格				
MATERIAL 材料	FINISH 仕上	WEIGHT	SIZE A3	CAGE CODE 00779	DRAWING NO 番号 C-1939870	RESTRICTED TO
CUSTOMER DRAWING		SCALE 尺度 3:1	SHEET 1 OF 4	REV D		

THIS DRAWING IS UNPUBLISHED. RELEASED FOR PUBLICATION MAR , 2003.
 © COPYRIGHT 2004 By - ALL RIGHTS RESERVED.

LOC	DIST	REVISIONS		
		P	LTR	DESCRIPTION
J	/			SEE SHEET 1



THIS DRAWING IS A CONTROLLED DOCUMENT.		DWN	TE Connectivity				
DIMENSIONS: 單位: 耗 MM		CHK					
TOLERANCES UNLESS OTHERWISE SPECIFIED: 一般公差		APVD	NAME 名称				
0 PLC ± 0.3 1 PLC ± 0.3 2 PLC ± 0.3 3 PLC ± 0.3 4 PLC ± 0.3 ANGLES ± 3°		PRODUCT SPEC 製品規格	SD MEMORY CARD CONNECTOR PUSH PUSH TYPE STANDARD H0				
MATERIAL 材料		FINISH 仕上	APPLICATION SPEC 取付適用規格	SIZE	CAGE CODE	DRAWING NO 番号	RESTRICTED TO
			WEIGHT	A3	00779	G-1939870	
CUSTOMER DRAWING			SCALE 尺度 3:1	SHEET 2 OF 4	REV D		

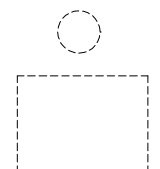
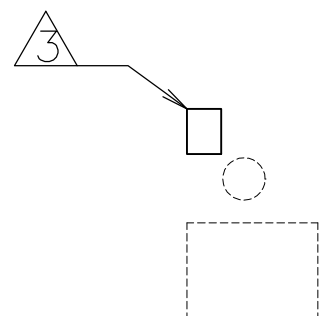
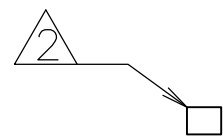
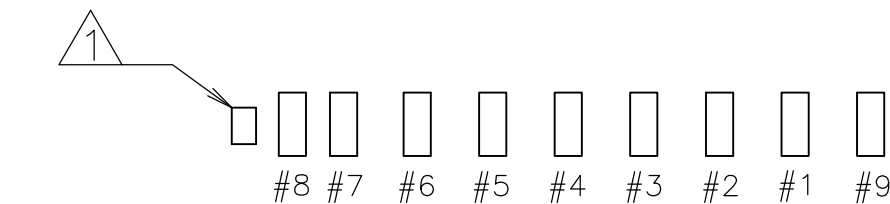
THIS DRAWING IS UNPUBLISHED.

RELEASED FOR PUBLICATION MAR , 2003.

© COPYRIGHT 2004 By -

ALL RIGHTS RESERVED.

LOC J	DIST -	REVISIONS 變更			DATE	DWN	APVD
P	LTR	DESCRIPTION					
	-	SEE SHEET 1		-	-	-	



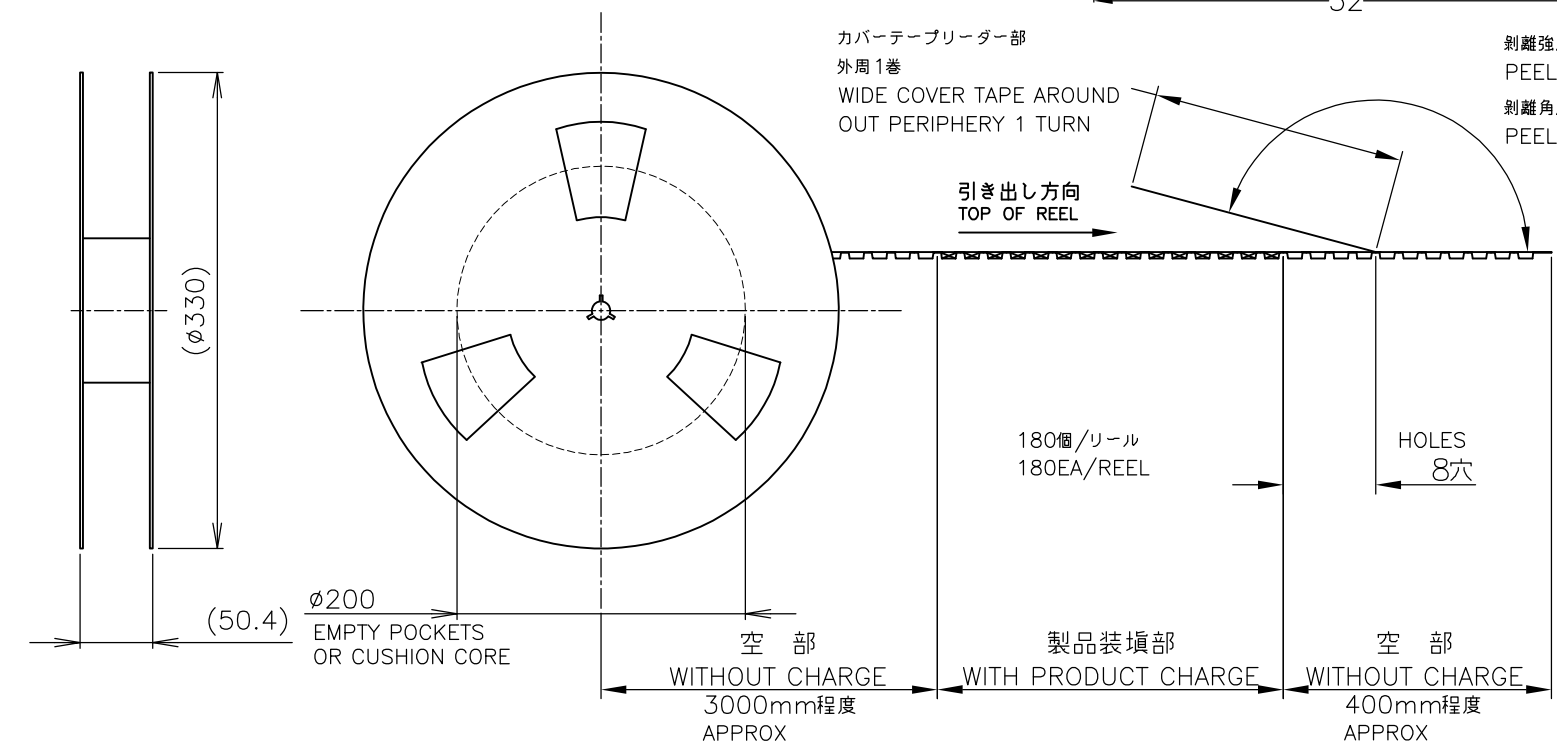
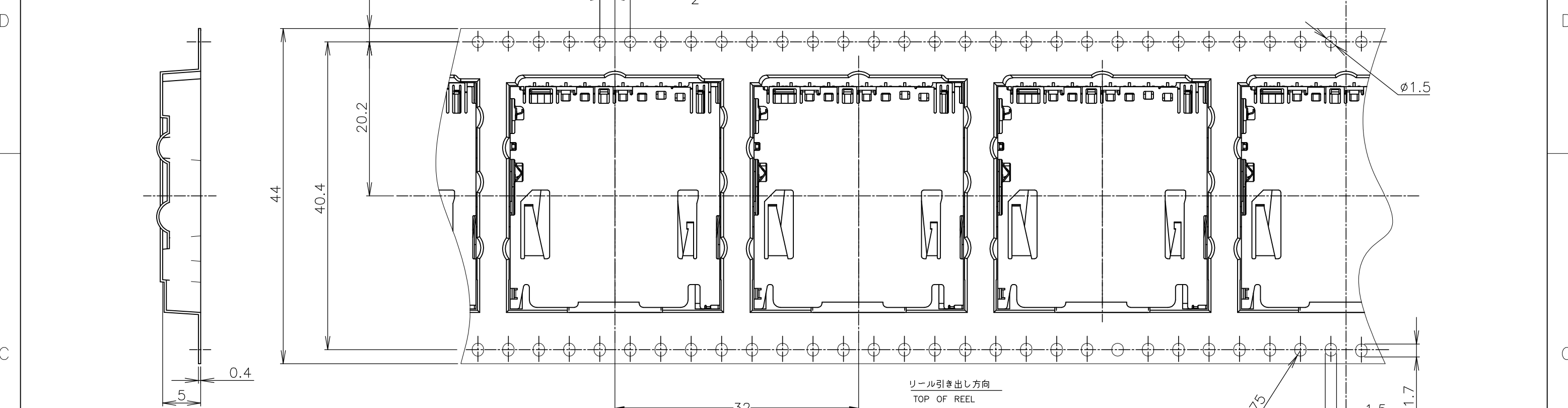
PIN ASSIGNMENT						
PIN#	SD MODE			SPI MODE		
	NAME	TYPE	DESCRIPTION	NAME	TYPE	DESCRIPTION
1	CD/DAT3	I/O/PP	CARD DETECT/ DATA LINE[BIT 3]	CS	I	CHIP SELECT(NEG TRUE)
2	CMD	PP	COMMAND/RESPONSE	DI	I	DATA IN
3	Vss1	S	SUPPLY VOLTAGE GROUND	VSS	S	SUPPLY VOLTAGE GROUND
4	Vdd	S	SUPPLY VOLTAGE	VDD	S	SUPPLY VOLTAGE
5	CLK	I	CLOCK	SCLK	I	CLOCK
6	Vss2	S	SUPPLY VOLTAGE GROUND	VSS2	S	SUPPLY VOLTAGE GROUND
7	DAT0	I/O/PP	DATA LINE[BIT 0]	DO	O/PP	DATA OUT
8	DAT1	I/O/PP	DATA LINE[BIT 1]	RSV		
9	DAT2	I/O/PP	DATA LINE[BIT 2]	RSV		

SWITCH PIN ASSIGNMENT	
△1	CARD DETECT SWITCH
△2	COMMON TERMINAL
△3	WRITE PROTECT SWITCH

THIS DRAWING IS A CONTROLLED DOCUMENT.		DWN -	TE Connectivity		
DIMENSIONS: 單位: 耗 MM		CHK -			
TOLERANCES UNLESS OTHERWISE SPECIFIED: 一般公差		APVD -	SD MEMORY CARD CONNECTOR PUSH PUSH TYPE STANDARD H0		
0 PLC ± 0.3 1 PLC ± 0.3 2 PLC ± 0.3 3 PLC ± 0.3 4 PLC ± 0.3 ANGLES ± 3°		PRODUCT SPEC 製品規格 -	SIZE A3	CAGE CODE 00779	DRAWING NO 番号 C-1939870
MATERIAL 材料		APPLICATION SPEC 取付適用規格	WEIGHT	RESTRICTED TO -	
FINISH 仕上		CUSTOMER DRAWING		SCALE 尺度 4:1	SHEET 3 OF 4

THIS DRAWING IS UNPUBLISHED. RELEASED FOR PUBLICATION MAR , 2003.
 © COPYRIGHT 2004 By - ALL RIGHTS RESERVED.

LOC	DIST	REVISIONS			
J		変更	DATE	DWN	APVD
P	LTR	DESCRIPTION			
	-	SEE SHEET 1	-	-	-



剥離強度 1N MAX(300mm/min)
PEELING STRENGTH
剥離角度 165~180°
PEELING ANGLE

THIS DRAWING IS A CONTROLLED DOCUMENT.		DWN	-	TE Connectivity SD MEMORY CARD CONNECTOR PUSH PUSH TYPE STANDARD H0			
DIMENSIONS: 単位: 概 MM		CHK	-			NAME	名称
TOLERANCES UNLESS OTHERWISE SPECIFIED: 一般公差		APVD	-			PRODUCT SPEC	製品規格
0 PLC ± 0.3 1 PLC ± 0.3 2 PLC ± 0.3 3 PLC ± 0.3 4 PLC ± 0.3 ANGLES ± 3°		APPLICATION SPEC	取付適用規格	SIZE	A3		
MATERIAL 材料	FINISH 仕上	WEIGHT	-	CAGE CODE	00779		
CUSTOMER DRAWING			SCALE 尺度	2:1	SHEET 4 OF 4		
			DRAWING NO 番号	G-1939870			
			RESTRICTED TO	-			
			REV	D			

单击下面可查看定价，库存，交付和生命周期等信息

[>>TE Connectivity\(泰科\)](#)