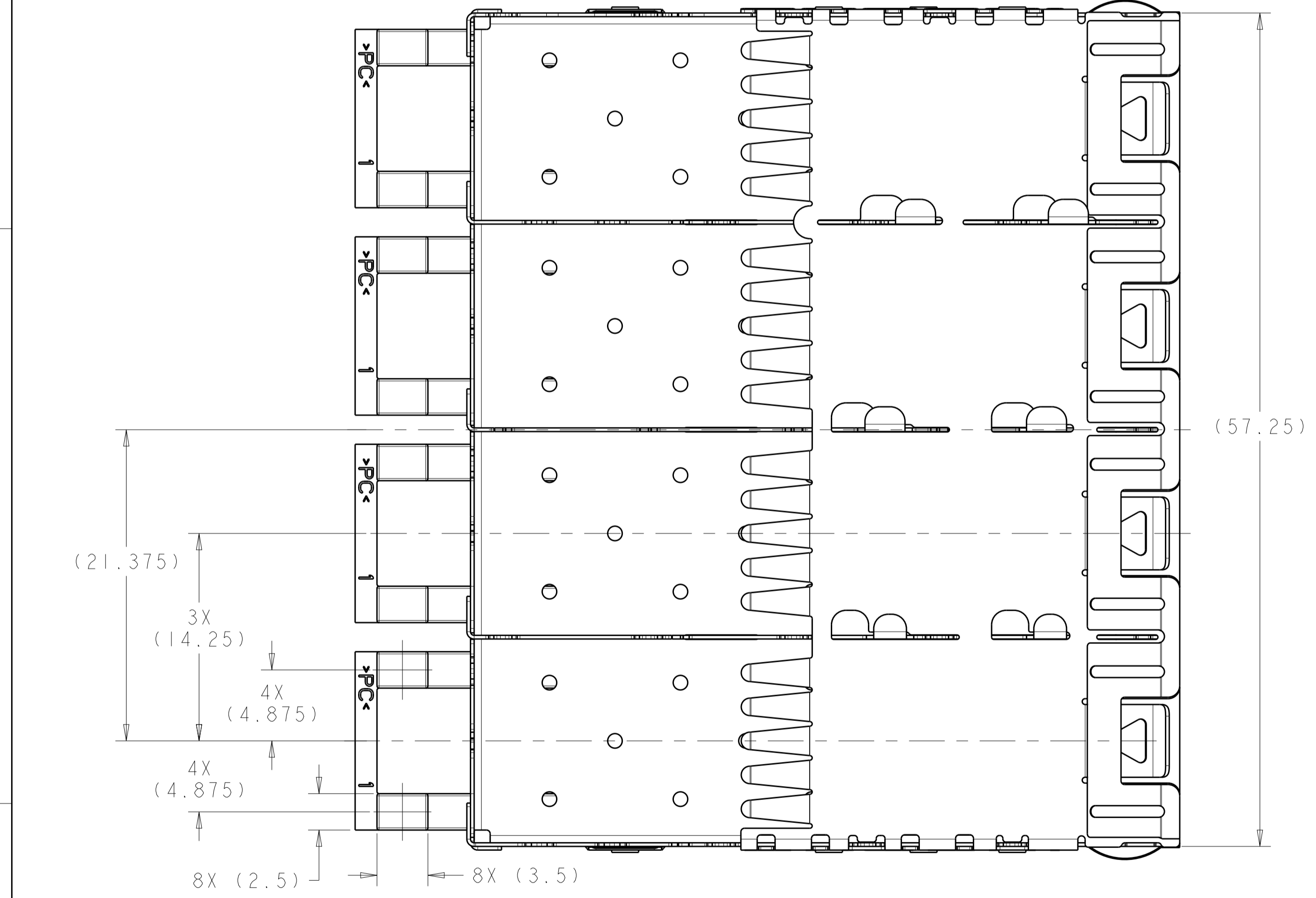
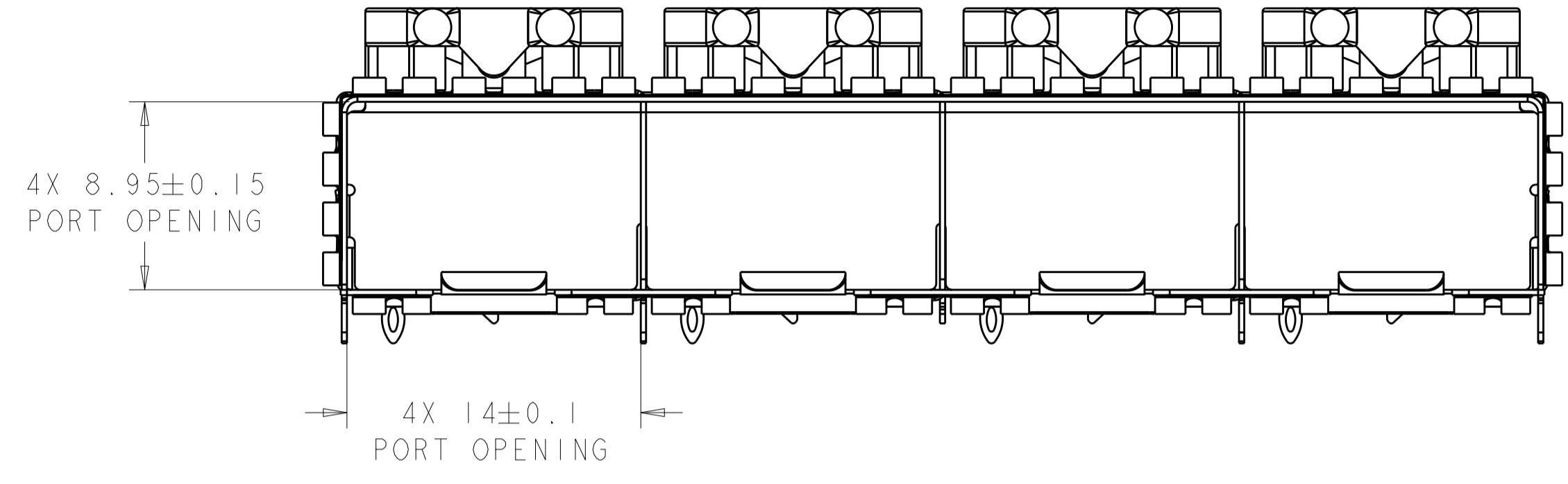
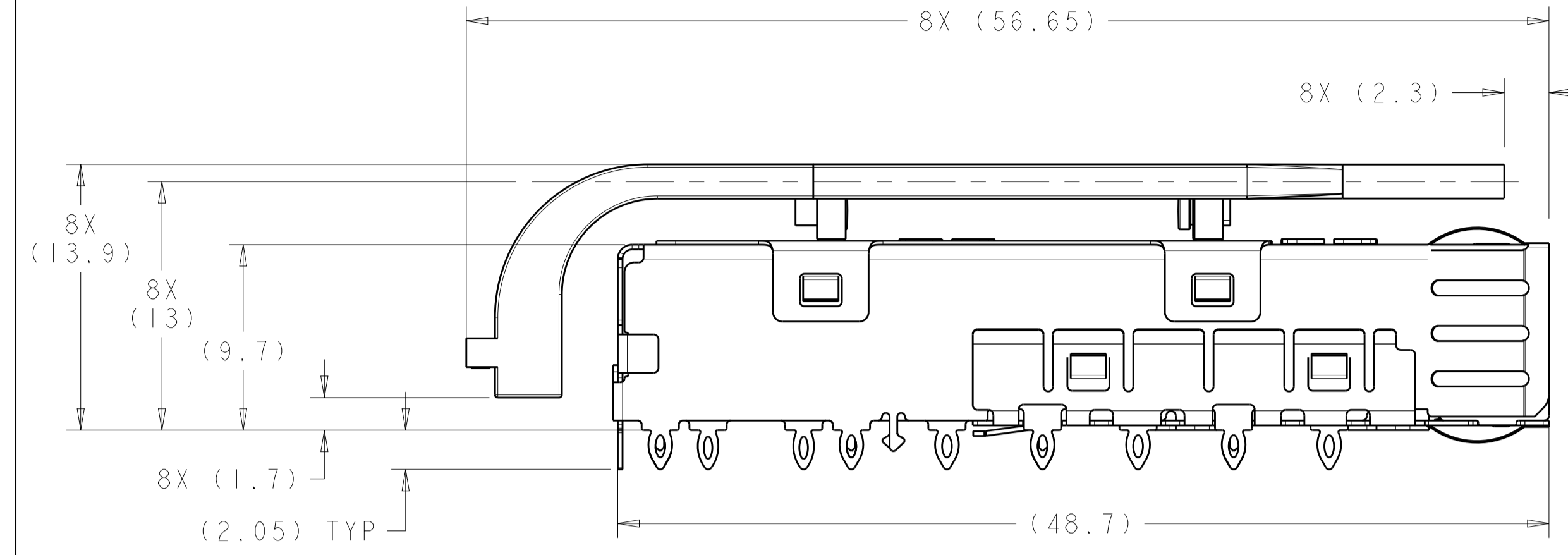
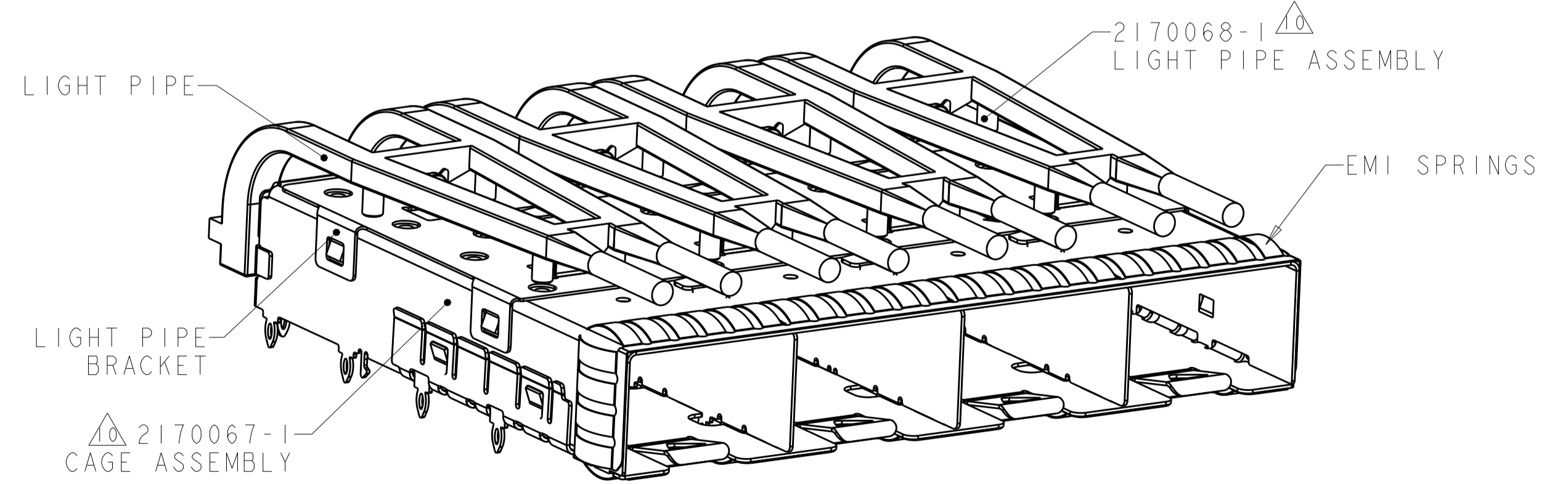


LOC		DIST		REVISIONS			
P	LTN	DATE	DMN	APVD			
1		09MAR2011	XT	WMO	PRELIMINARY RELEASE		



- △ MATERIAL:
 CAGE ASSEMBLY - 0.25mm THICK NICKEL SILVER ALLOY
 EMI SPRING - PHOSPHOR BRONZE
 LIGHT PIPE BRACKET - STAINLESS STEEL
 LIGHT PIPE - POLYCARBONATE, CLEAR
- △ MINIMUM PC BOARD THICKNESS = 1.50mm.
- △ PADS AND VIAS CHASSIS GROUND.
- △ DATUM AND BASIC DIMENSION ESTABLISHED BY CUSTOMER.
- 5. MATES WITH SFP MSA COMPLIANT TRANSCEIVERS.
- 6. INTERPRETATION OF DATUM REFERENCE FRAME IN ACCORDANCE WITH SECT 4.4.1.1 OF ASME Y14.5M-1994.
- △ REFERENCE APPLICATION SPEC. 114-13120, HOLE A, FOR RECOMMENDED DRILL HOLE DIAMETER AND PLATING THICKNESS.
- △ REFERENCE APPLICATION SPEC. 114-13120, HOLE B, FOR RECOMMENDED DRILL HOLE DIAMETER AND PLATING THICKNESS.
- △ HOLE PATTERN REPEATS FOR EACH PORT. SPACING BETWEEN PORTS IS 14.25mm.
- △ LIGHT PIPE ASSEMBLY SHIPPED UNASSEMBLED TO CAGE ASSEMBLY. CAGE ASSEMBLY TO BE PRESSED INTO THE PCB PRIOR TO ATTACHING THE LIGHT PIPE ASSEMBLY TO THE CAGE.
- 11. PRODUCT HAS NOT COMPLETED QUALIFICATION TESTING.

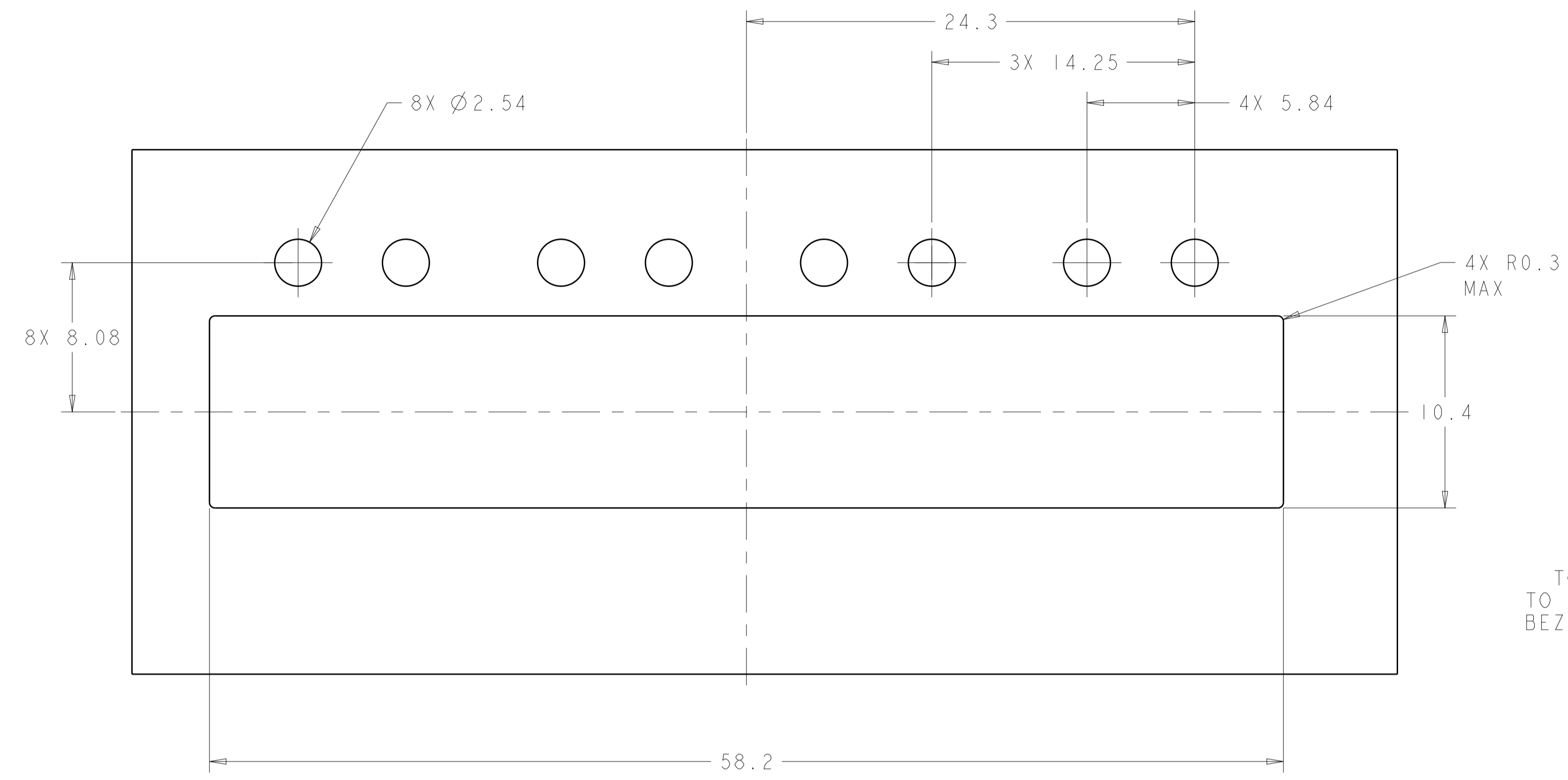


2170066-1
 FINISHED ASSEMBLY
 SCALE 3:1

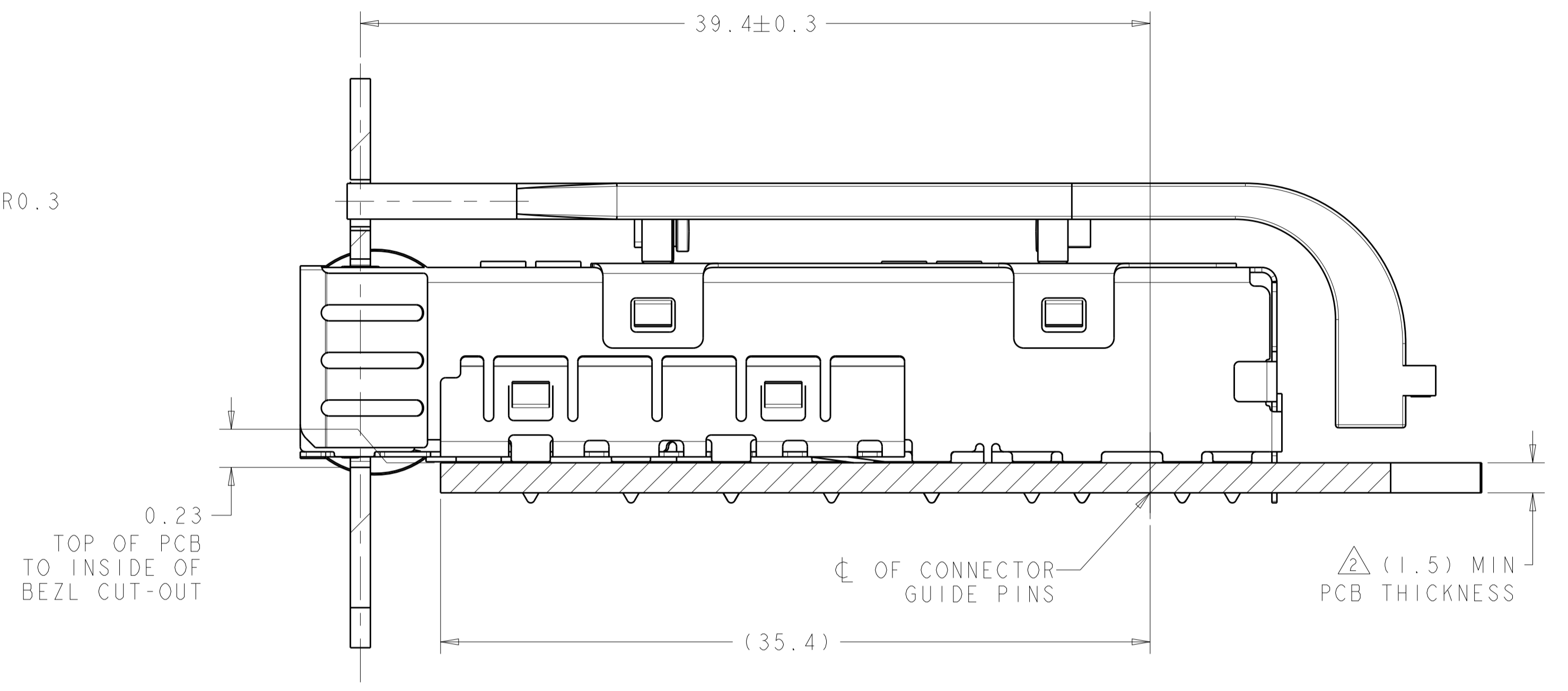
2170066-1
 PART
 NUMBER

<small>THIS DRAWING IS UNPUBLISHED. RELEASED FOR PUBLICATION BY TYCO ELECTRONICS CORPORATION. ALL RIGHTS RESERVED.</small>		DWN: TIM XUE 09MAR2011 CHK: MANOJAN WANG 09MAR2011 APVD: MANOJAN WANG 09MAR2011	Tyco Electronics Shanghai, PRC 200233
DIMENSIONS: mm 	TOLERANCES UNLESS OTHERWISE SPECIFIED: 0 PLC ±0.1 1 PLC ±0.1 2 PLC ±0.1 3 PLC ±0.1 4 PLC ±0.1 ANGLES ±1.0 FINISH:	NAME: SFP+ ENHANCED 1X4 CAGE ASSEMBLY, PRESS-FIT, EMI GASKET, LOW PROFILE LIGHT PIPES PRODUCT SPEC: 108-2364 APPLICATION SPEC: 114-13120 SIZE: CAGE CODE DRAWING NO: A100779C=2170066 WEIGHT:	RESTRICTED TO:
MATERIAL:		CUSTOMER DRAWING	SCALE: 2:1 SHEET 1 OF 3 REV A

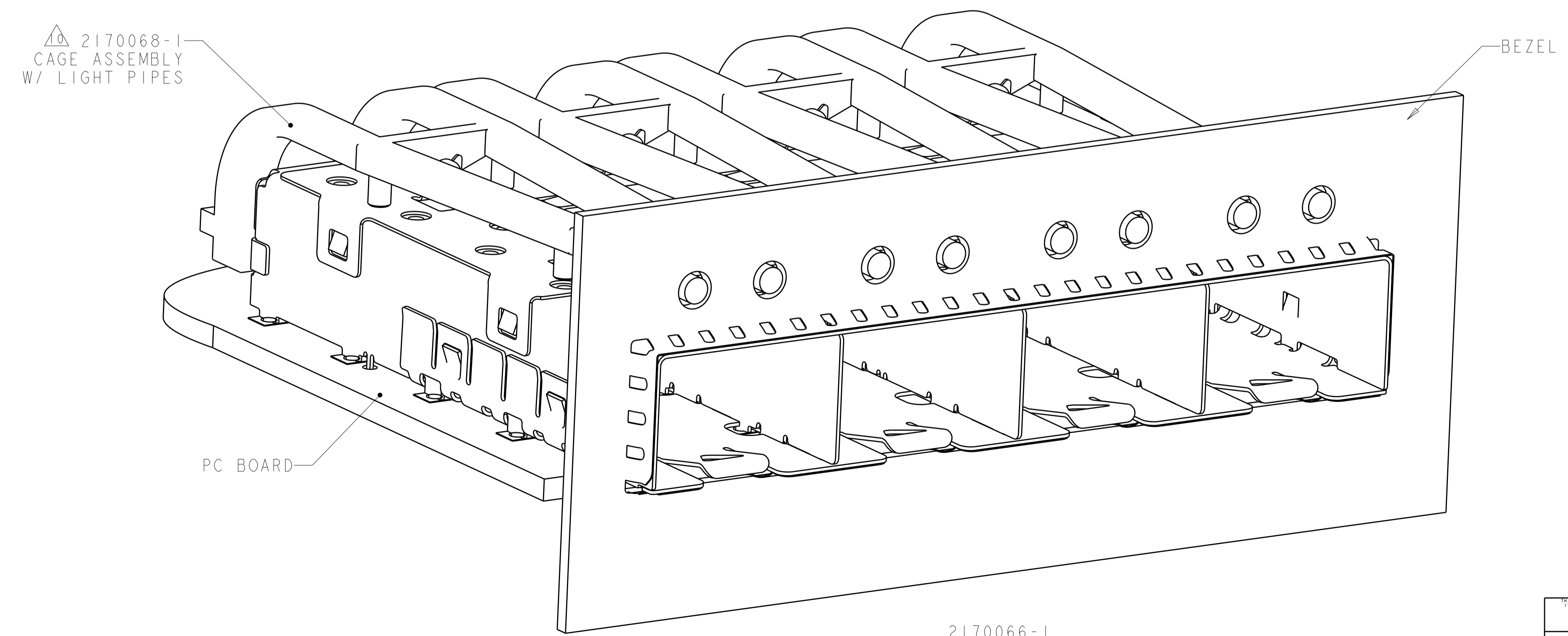
LOC		DIST		REVISONS			
GP	00	P	LTN	DESCRIPTION	DATE	DMN	APVD
		-		SEE SHEET 1			



RECOMMENDED BEZEL CUT-OUT
 SINGLE SIDIED APPLICATIONS



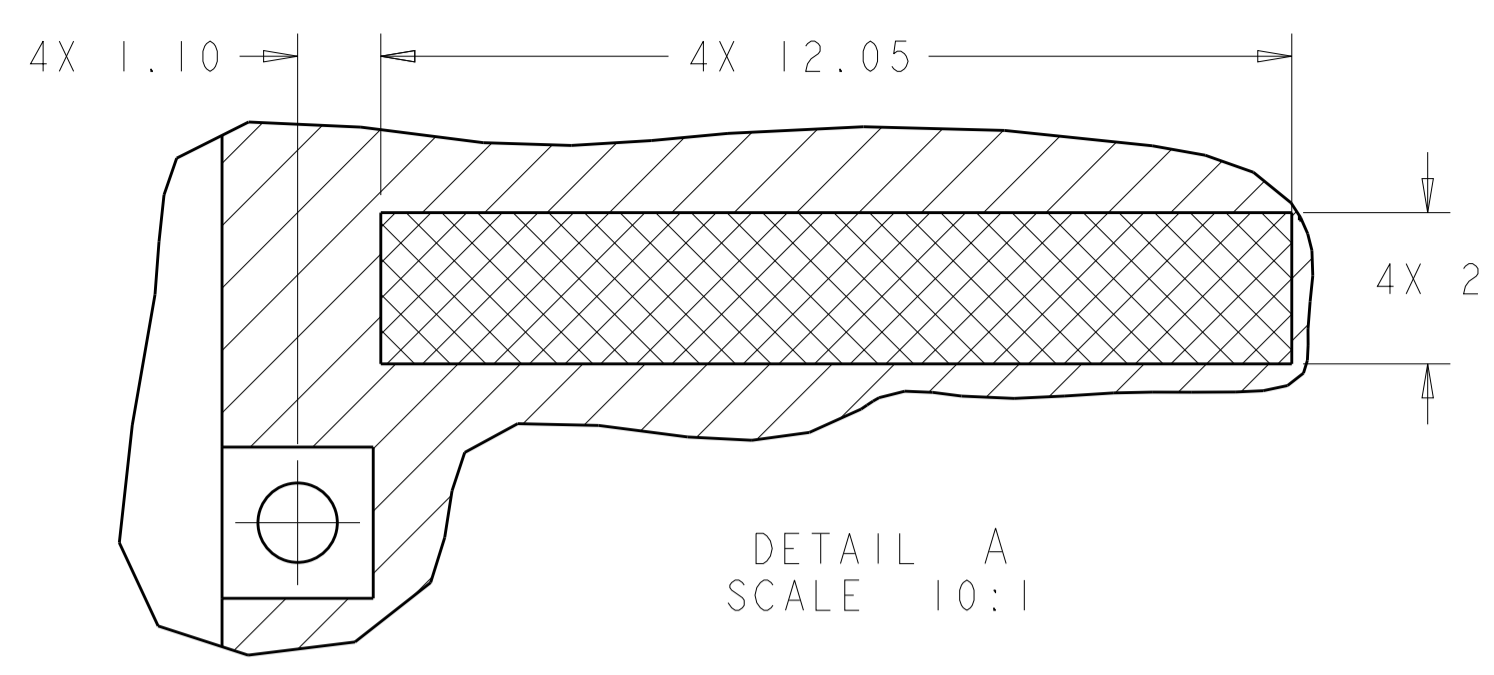
2170066-1
 MOUNTED ON PC BOARD
 SHOWN THRU RECOMMENDED BEZEL
 SECTION



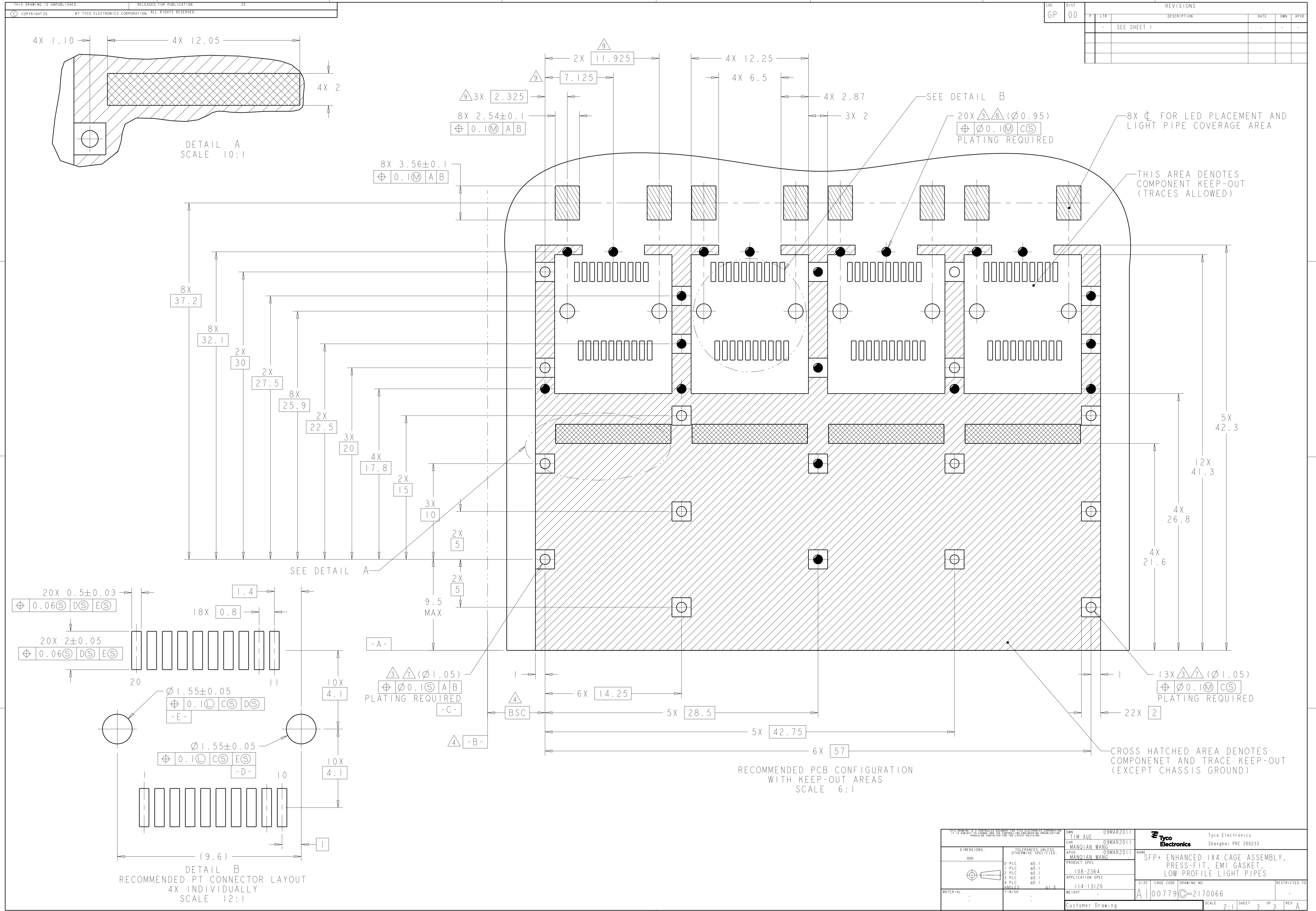
2170066-1
 MOUNTED ON PC BOARD, SHOWN
 THRU RECOMMENDED BEZEL

<small>THIS DRAWING IS UNPUBLISHED. RELEASED FOR PUBLICATION BY TYCO ELECTRONICS CORPORATION. ALL RIGHTS RESERVED.</small>		DWN: TIM XUE 09MAR2011 CHK: MANQIAN WANG 09MAR2011 APVD: MANQIAN WANG 09MAR2011	Tyco Electronics Shanghai, PRC 200233
DIMENSIONS: mm 	TOLERANCES UNLESS OTHERWISE SPECIFIED: 0 PLC ±0.1 1 PLC ±0.1 2 PLC ±0.1 3 PLC ±0.1 4 PLC ±0.1 ANGLES ±1.0 FINISH	NAME: SFP+ ENHANCED 1X4 CAGE ASSEMBLY, PRESS-FIT, EMI GASKET, LOW PROFILE LIGHT PIPES PRODUCT SPEC: 108-2364 APPLICATION SPEC: 114-13120 WEIGHT: - Customer Drawing	SIZE: A CAGE CODE: 00779 DRAWING NO: 2170066 RESTRICTED TO: - SCALE: 2:1 SHEET 2 OF 3 REV A

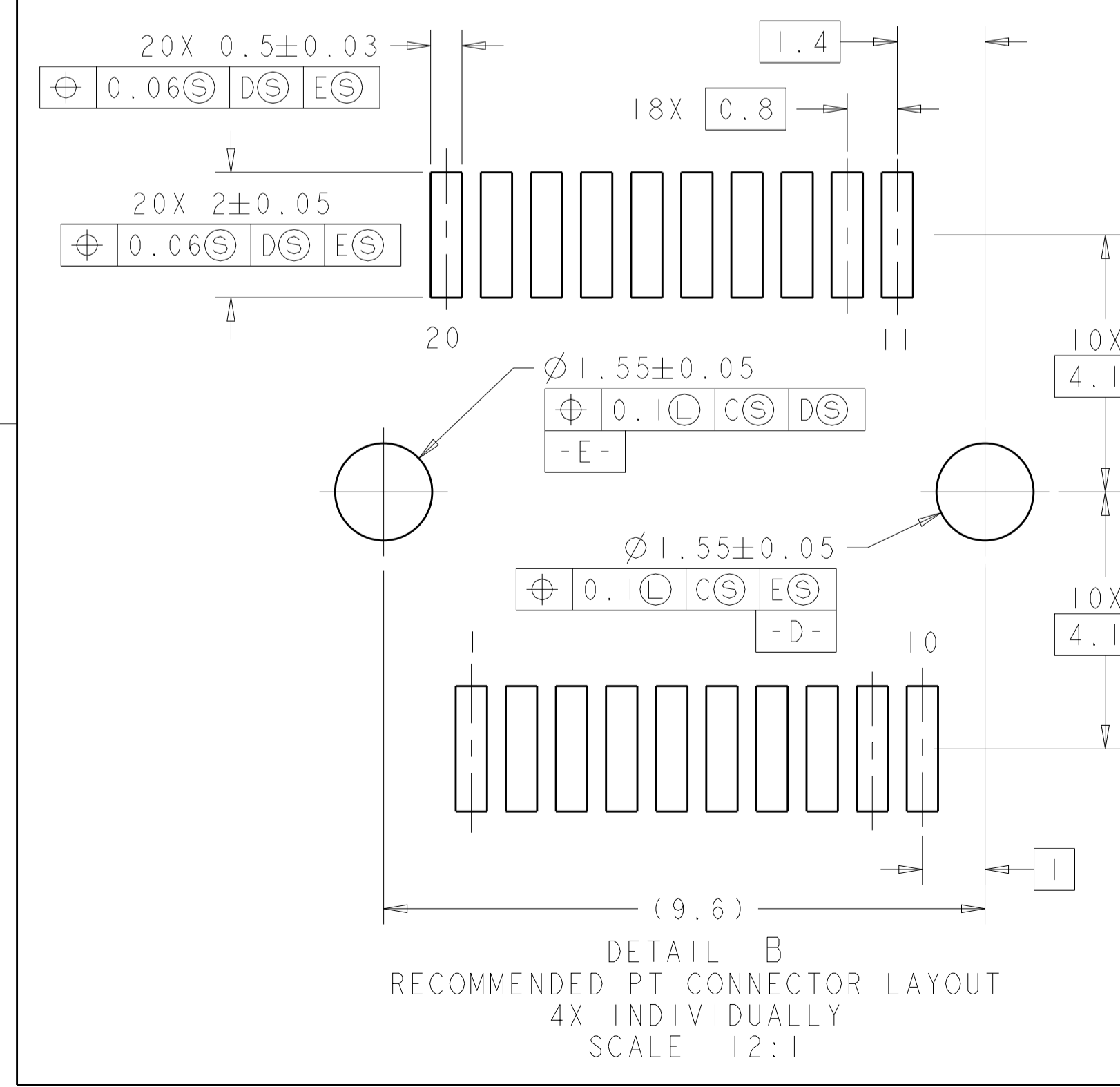
LOC	DIST	REV	DESCRIPTION	DATE	OWN	APVD
GP	00		SEE SHEET 1			



DETAIL A
SCALE 10:1



RECOMMENDED PCB CONFIGURATION
WITH KEEP-OUT AREAS
SCALE 6:1



DETAIL B
RECOMMENDED PT CONNECTOR LAYOUT
4X INDIVIDUALLY
SCALE 12:1

DIMENSIONS:		TOLERANCES UNLESS OTHERWISE SPECIFIED:		MATERIAL:		FINISH:		WEIGHT:		Customer Drawing	
mm	0 PLC	±0.1									
	1 PLC	±0.1									
	2 PLC	±0.1									
	3 PLC	±0.1									
	4 PLC	±0.1									
	5 PLC	±0.1									
	ANGLES	±1.0									

OWN	TIM XUE	09MAR2011	Tyco Electronics Shanghai, PRC 200233
CHK	MANOJAN WANG	09MAR2011	
APVD	MANOJAN WANG	09MAR2011	NAME SFP+ ENHANCED 1X4 CAGE ASSEMBLY, PRESS-FIT, EMI GASKET, LOW PROFILE LIGHT PIPES
PRODUCT SPEC			
APPLICATION SPEC			SIZE 108-2364
SIZE	114-13120		RESTRICTED TO A 00779C=2170066
WEIGHT			
SCALE	2:1	SHEET 3 OF 3	REV A

单击下面可查看定价，库存，交付和生命周期等信息

[>>TE Connectivity\(泰科\)](#)