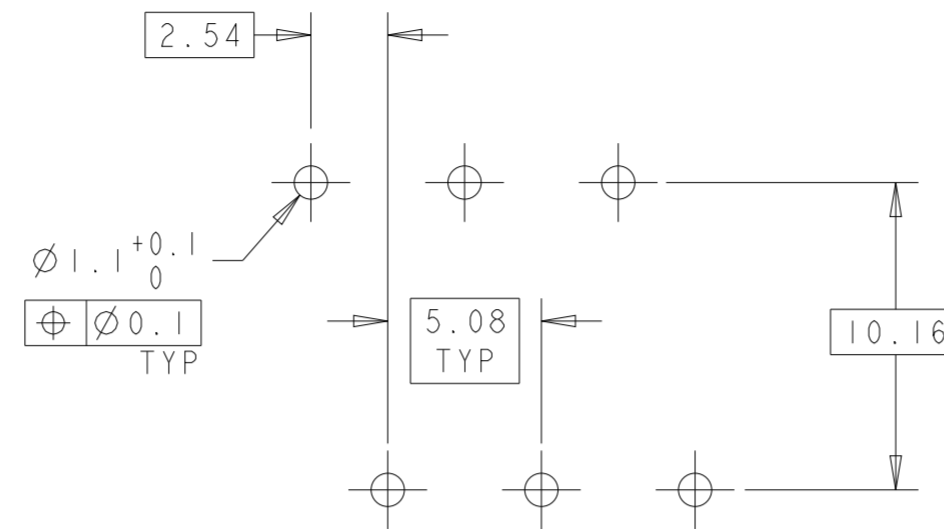
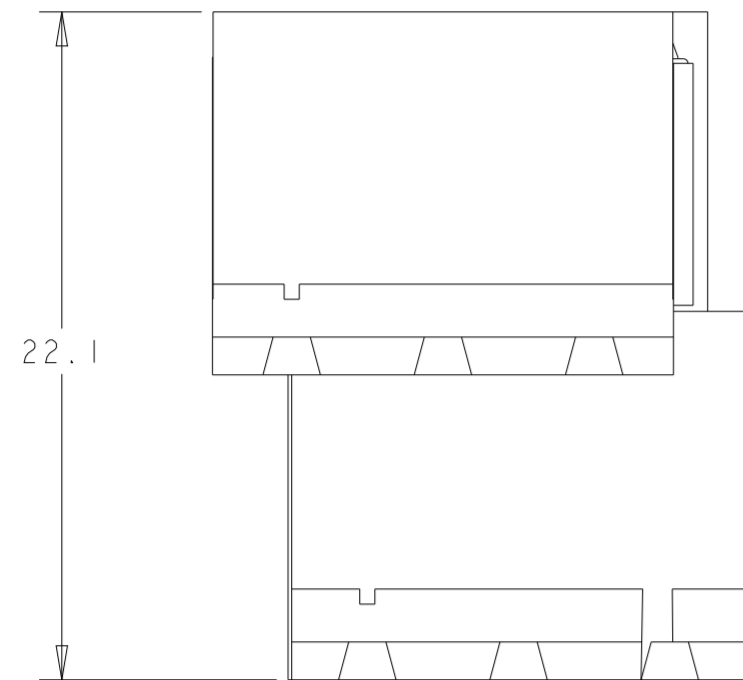
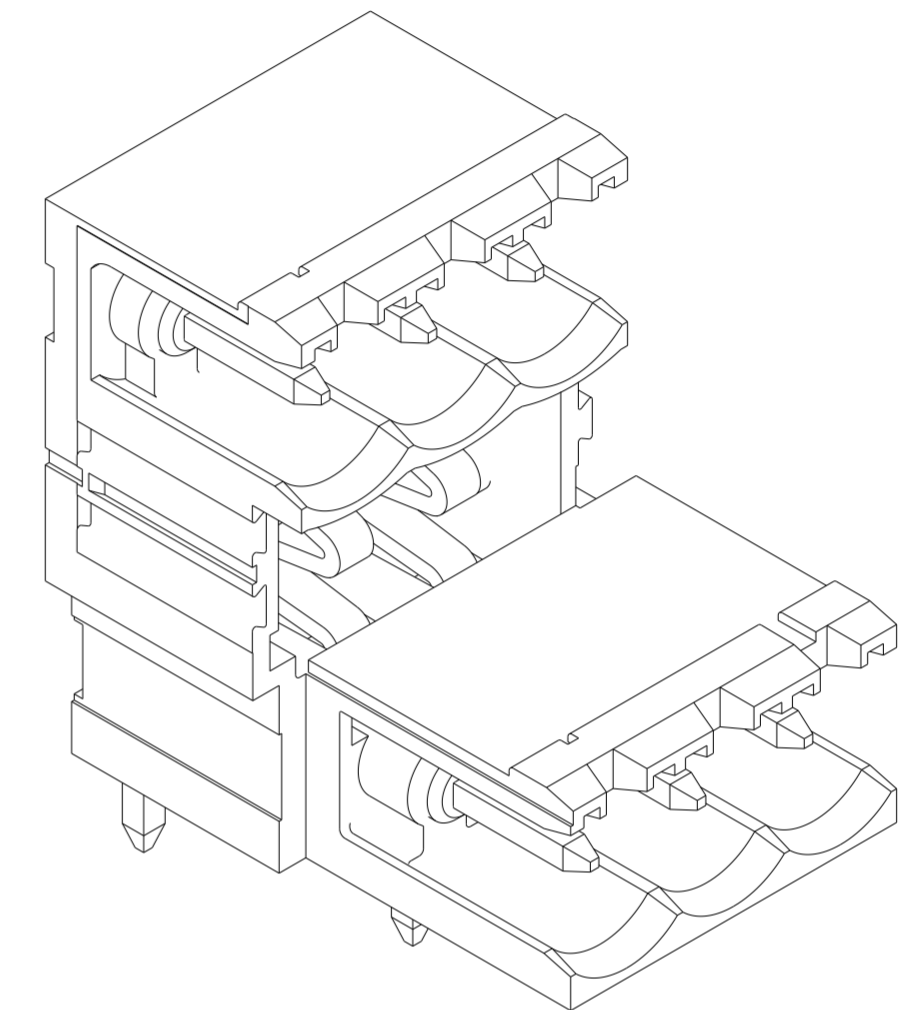


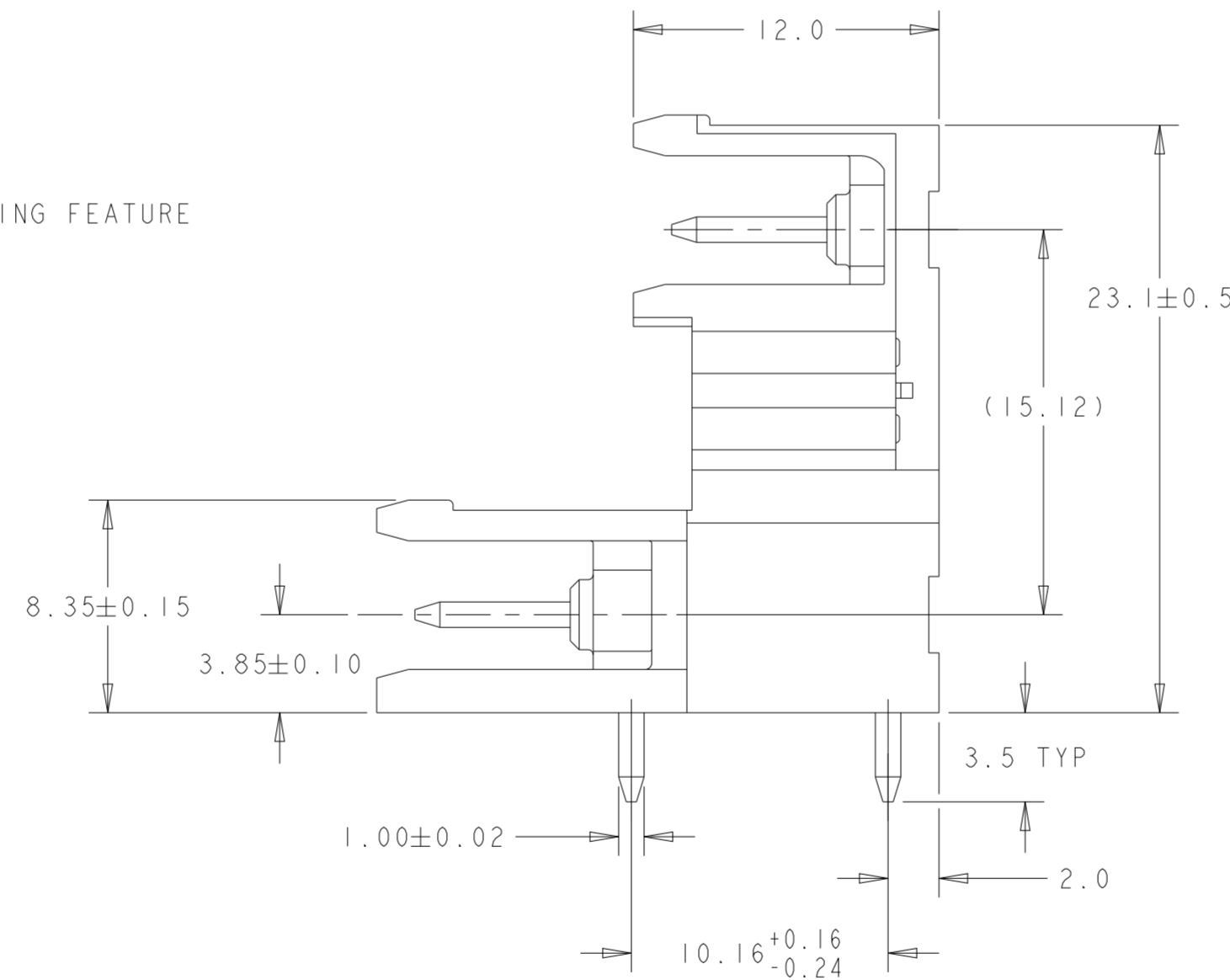
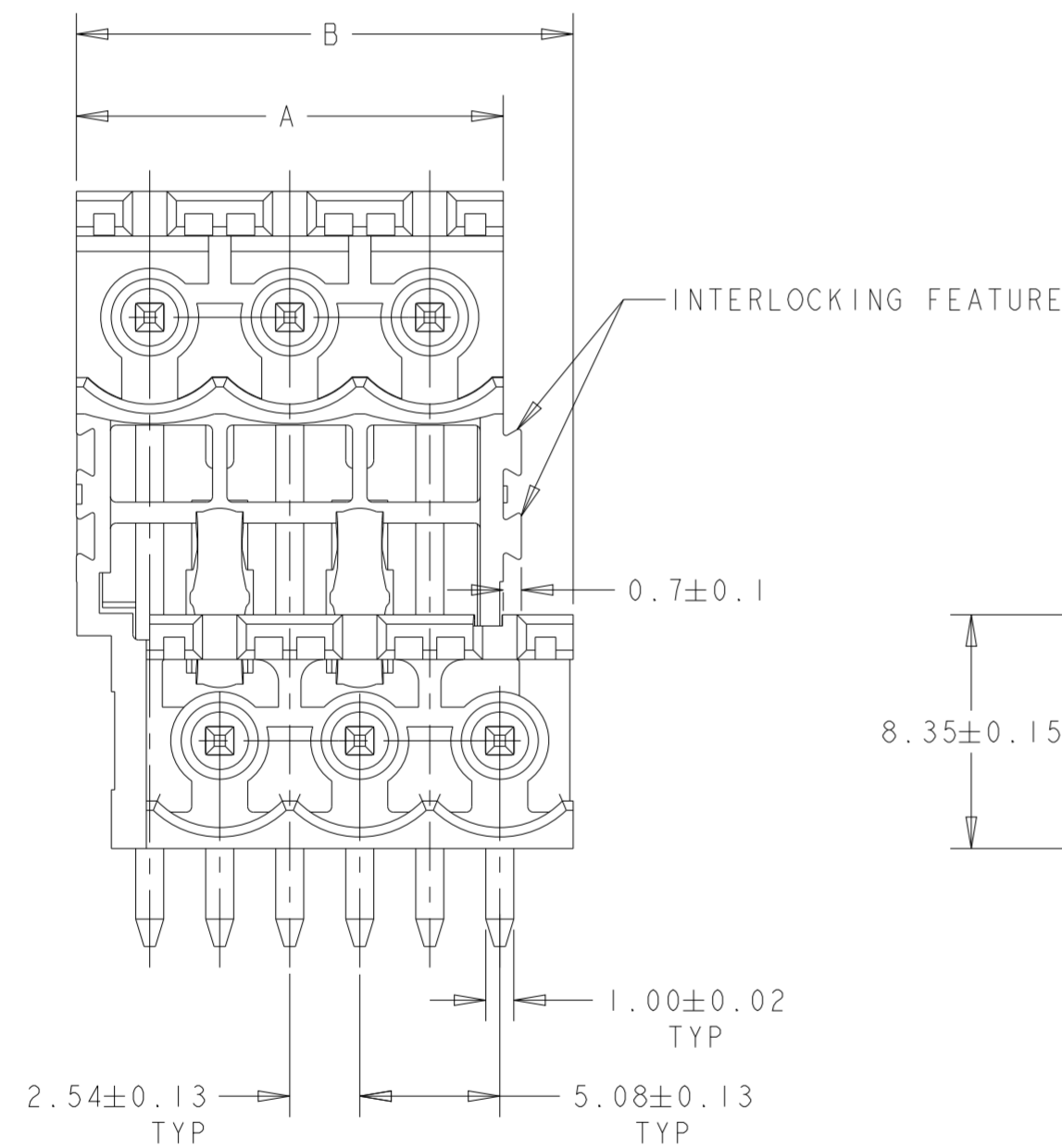
P	LTR	DESCRIPTION	DATE	DWN	APVD
G		DESIGN IMPROVEMENT IN NEW MOLD	12MAY2020	DV	PS
H		REVISED AS PER PCN: E-20-012940	12OCT2021	SCB	SS



RECOMMENDED PC BOARD LAYOUT



284053-3 AS SHOWN



SEE DETAIL G	71.12	60.96	12	2-284053-2	5
SEE DETAIL F	71.12	60.96	12	2-284053-1	5
SEE DETAIL E	71.12	60.96	12	2-284053-0	5
SEE DETAIL D	71.12	60.96	12	1-284053-9	5
SEE DETAIL C	71.12	60.96	12	1-284053-8	5
-	73.66	71.12	14	1-284053-4	
-	58.42	55.88	11	1-284053-1	
-	43.18	40.64	8	284053-8	5
-	33.02	30.48	6	284053-6	
-	27.94	25.40	5	284053-5	
-	17.78	15.24	3	284053-3	
-	12.70	10.16	2	284053-2	
MARKING	B	A	NO OF POSN	PART NUMBER	

- 1 MATERIALS AND FINISH
HOUSING: PA 6-6, UL 94-V0, COLOR GREEN.
TERMINAL: COPPER ALLOY, TIN PLATED.
- 2. SUITABLE FOR 1,6-2,4mm PC BOARD THICKNESS.
- 3. END-TO-END STACKABLE WITHOUT LOSS OF CENTERLINE SPACING.
- 4 INK MARKED WITH BLACK PERMANENT INK.
- 5 THIS PART NUMBER IS PRELIMINARY PRIOR TO CUSTOMER ORDER.
CONTACT PRODUCT ENGINEERING BEFORE USING THIS PART.

THIS DRAWING IS A CONTROLLED DOCUMENT.

DIMENSIONS:	TOLERANCES UNLESS OTHERWISE SPECIFIED:	DWN	03JUN2003
mm	0 PLC ±3	CHK	03JUN2003
	1 PLC ±.25	APVD	03JUN2003
	2 PLC ±.	PRODUCT SPEC	
	3 PLC ±.	APPLICATION SPEC	114-20079
	4 PLC ±.	WEIGHT	-
	ANGLES ±2	CUSTOMER DRAWING	
	FINISH	SCALE	4:1

MATERIAL:

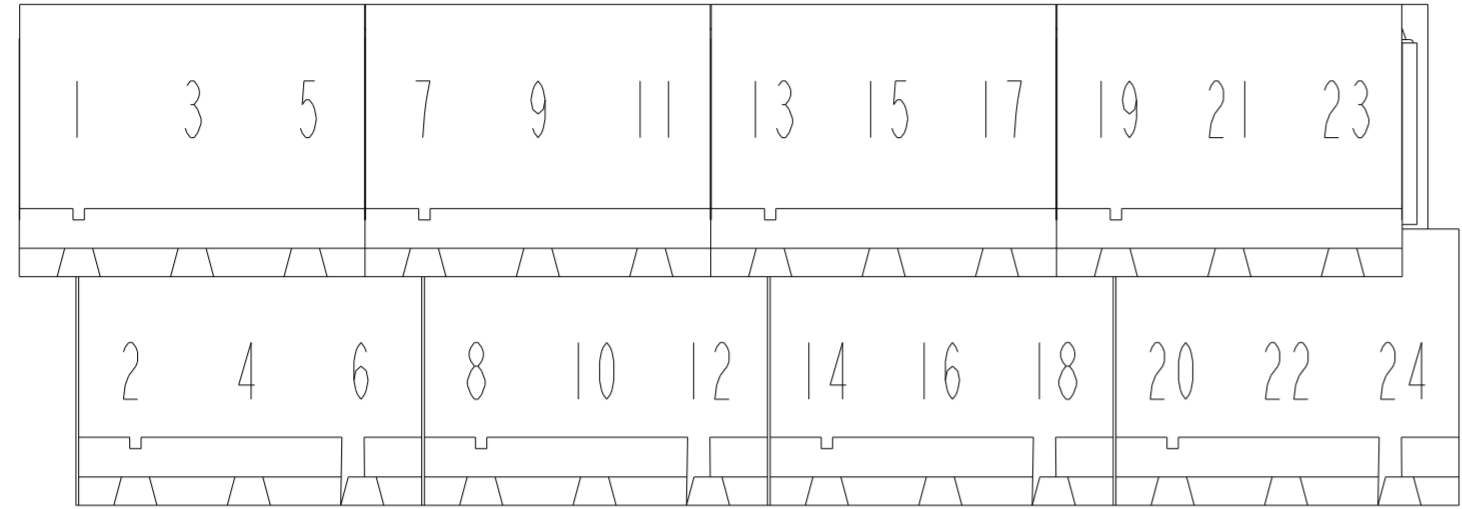
TE Connectivity

NAME: TERMINAL BLOCK, MULTIPLE HEADER ASSEMBLY, 90 DEGREE STACKING W/INTERLOCK, 5.08mm PITCH

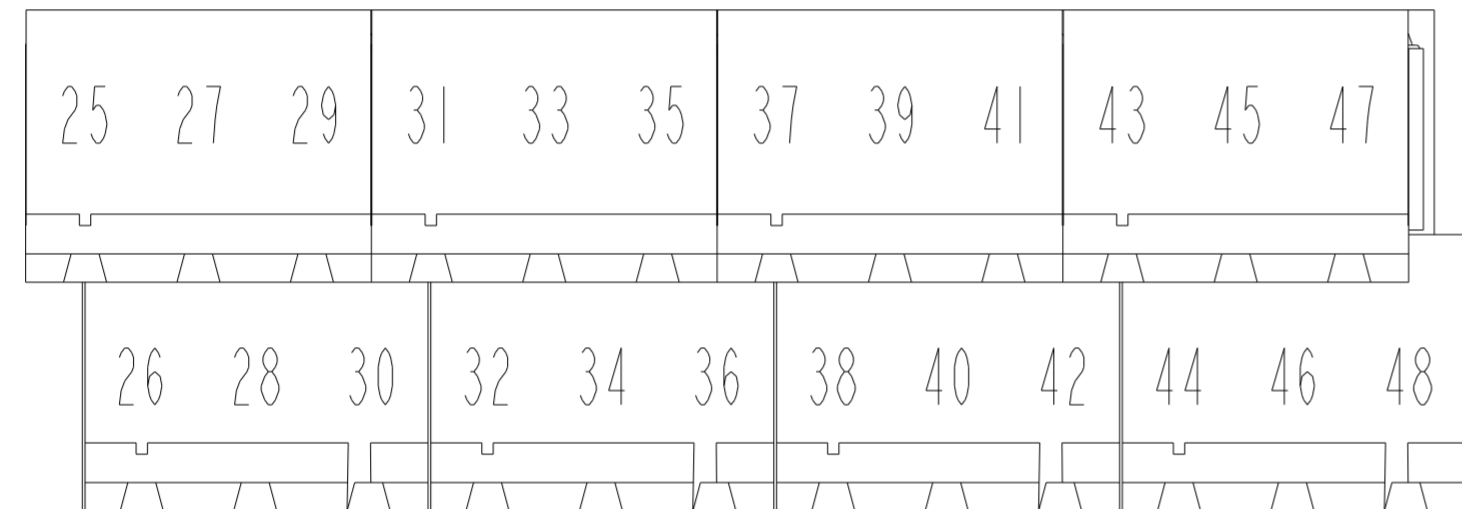
SIZE: A2 | CAGE CODE: 00779 | DRAWING NO: C-284053 | RESTRICTED TO: -

SHEET 1 OF 2 | REV H

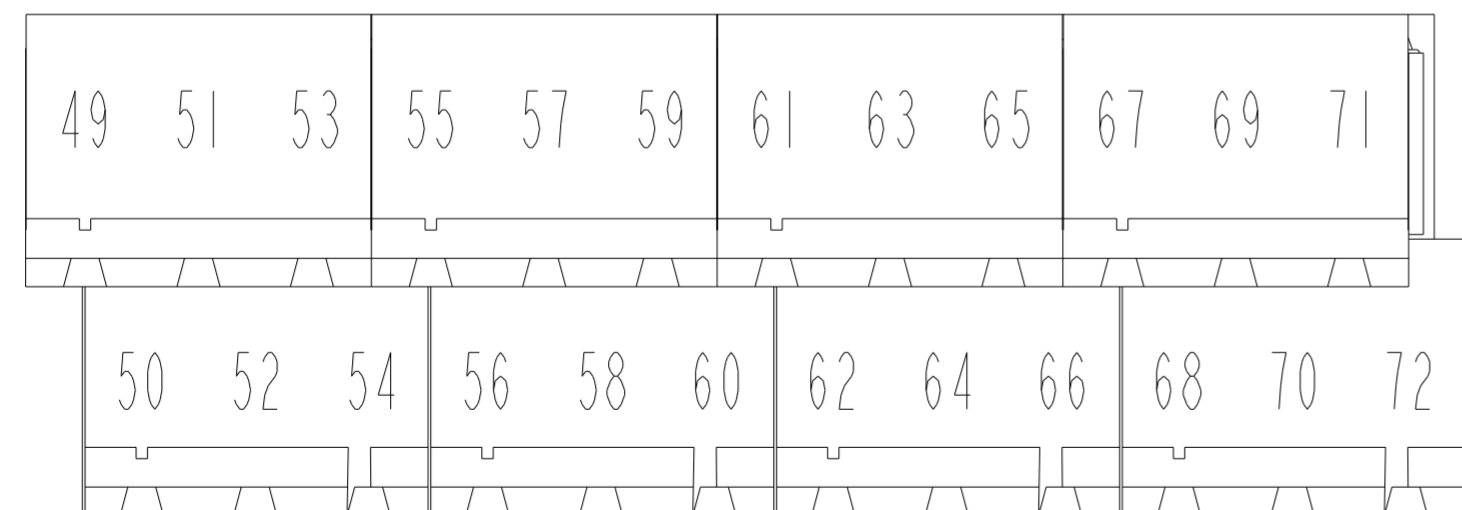
REVISIONS				
P	LTR	DESCRIPTION	DATE	APVD
-	-	SEE SHEET 1	-	-



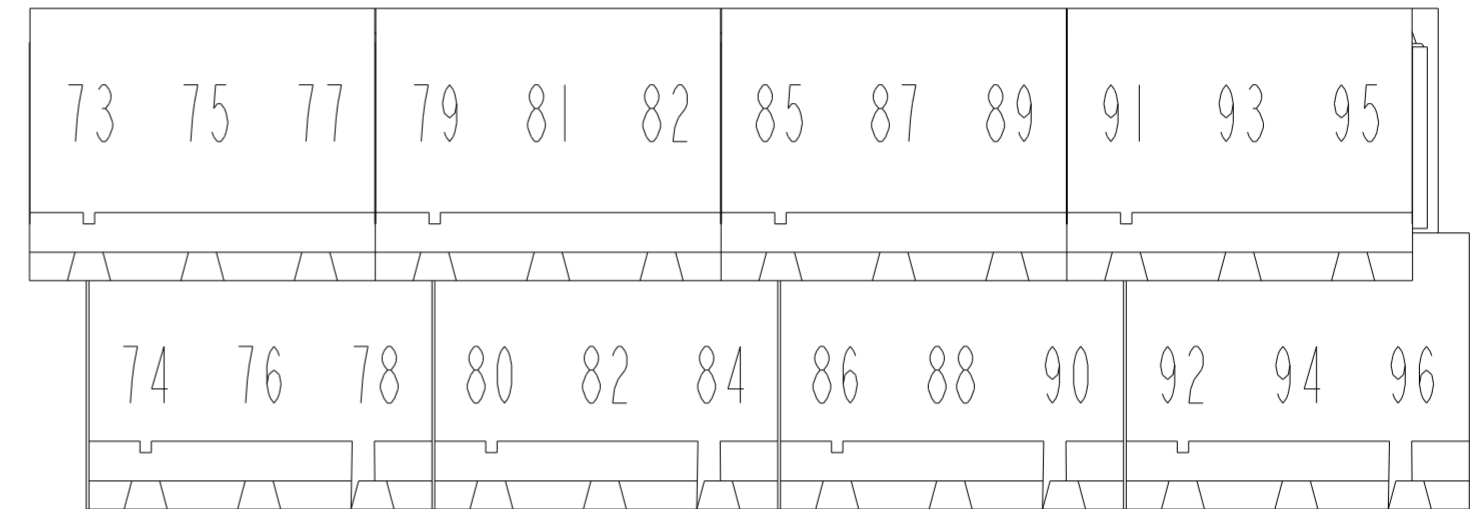
5
DETAIL C
SCALE 3:1



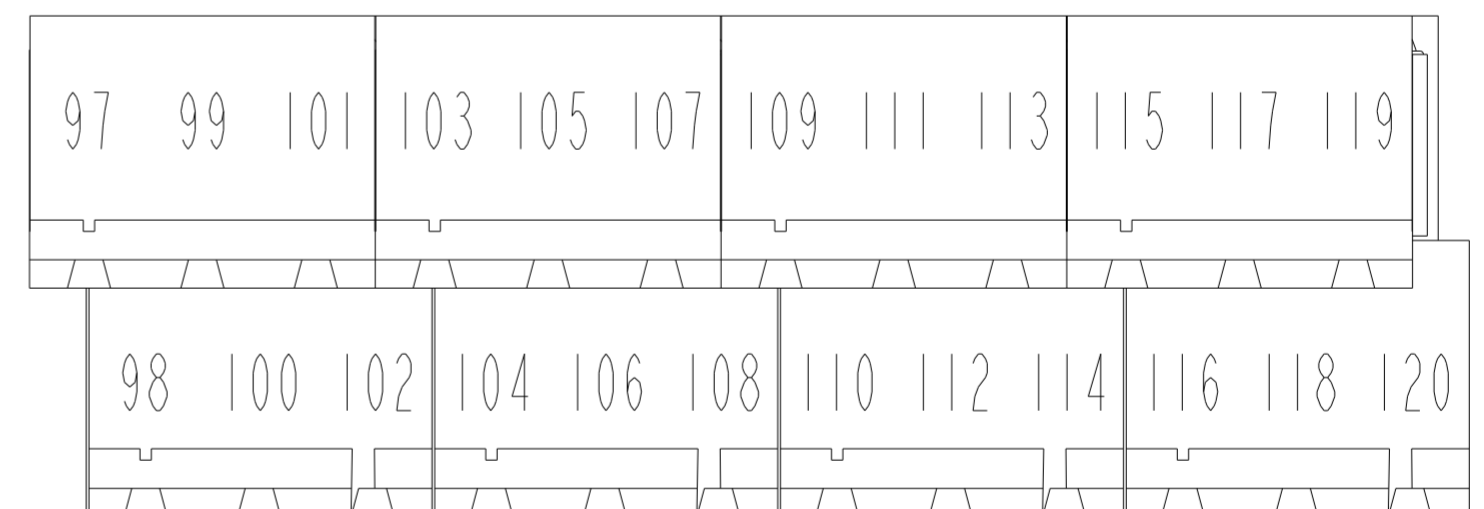
5
DETAIL D
SCALE 3:1




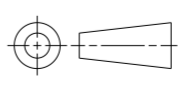
5
DETAIL E
SCALE 3:1



5
DETAIL F
SCALE 3:1



5
DETAIL G
SCALE 3:1

THIS DRAWING IS A CONTROLLED DOCUMENT.		DWN S. WELDON 03JUN2003	 TE Connectivity	
DIMENSIONS: mm		CHK C. RICHARD 03JUN2003		
TOLERANCES UNLESS OTHERWISE SPECIFIED:		APVD C. RICHARD 03JUN2003	NAME TERMINAL BLOCK, MULTIPLE HEADER ASSEMBLY, 90 DEGREE STACKING W/INTERLOCK, 5.08mm PITCH	
		PRODUCT SPEC -	SIZE 114-20079	CAGE CODE A200779
MATERIAL		APPLICATION SPEC -	DRAWING NO C-284053	RESTRICTED TO -
FINISH		WEIGHT -	SCALE 4:1	SHEET 2 OF 2
0 PLC ±- 1 PLC ±.3 2 PLC ±.25 3 PLC ±- 4 PLC ±- ANGLES ±2 FINISH		CUSTOMER DRAWING	REV H	

单击下面可查看定价，库存，交付和生命周期等信息

[>>TE Connectivity\(泰科\)](#)