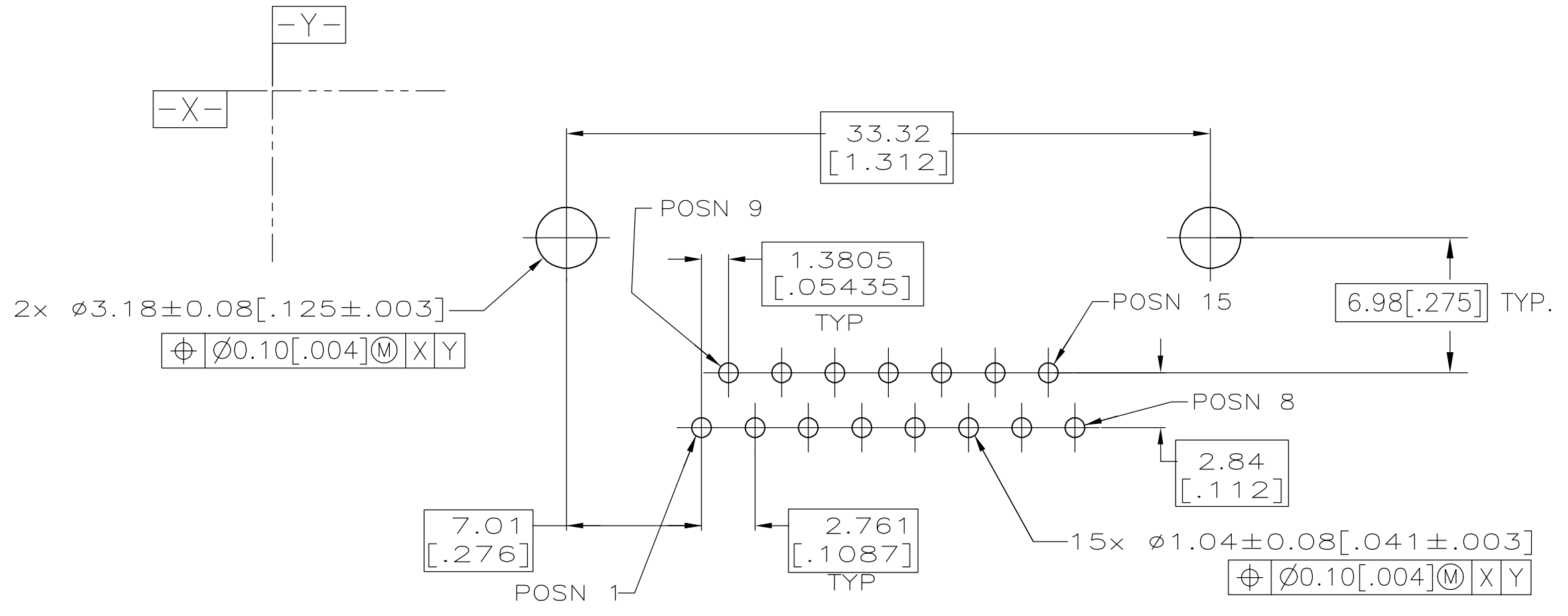
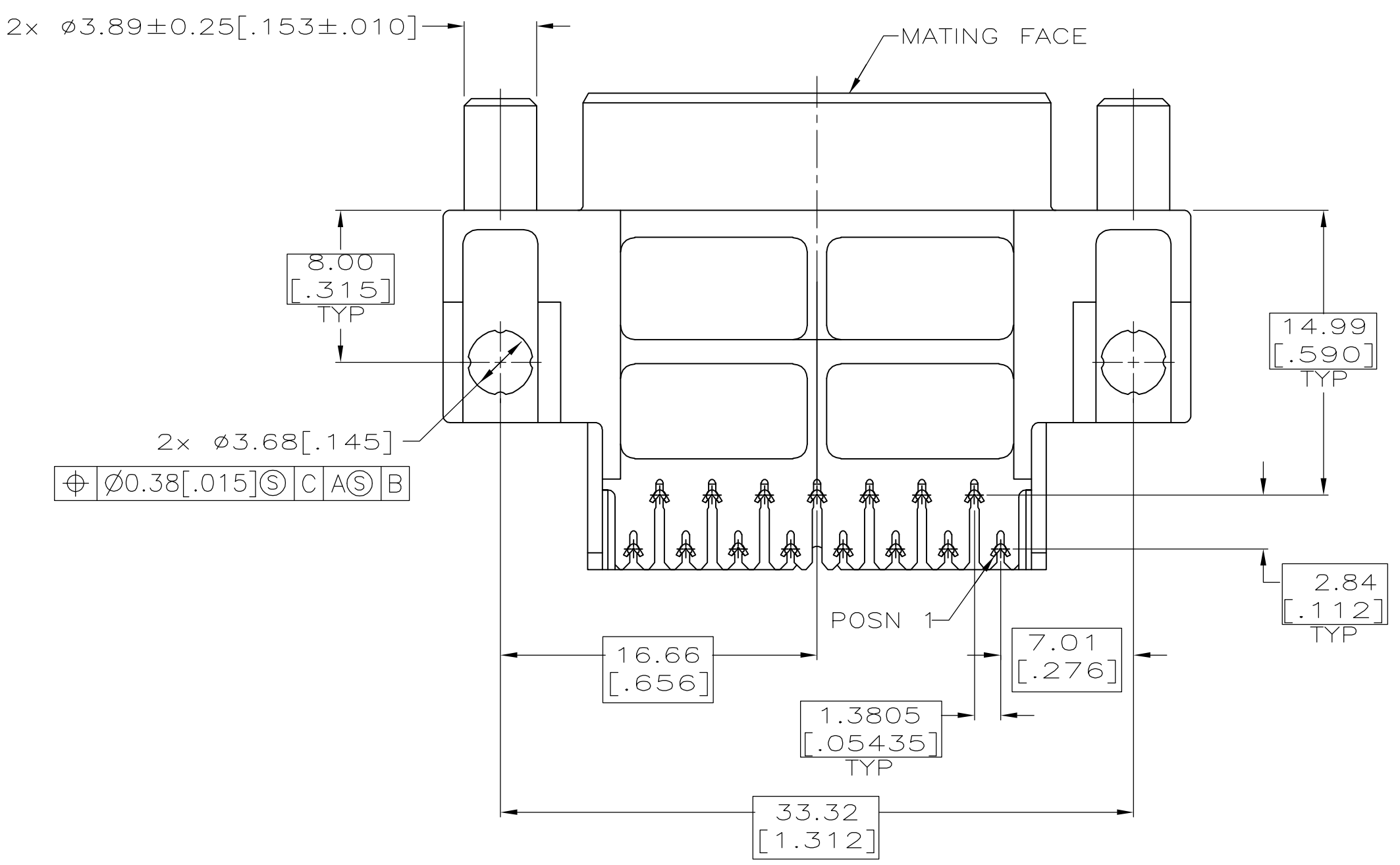
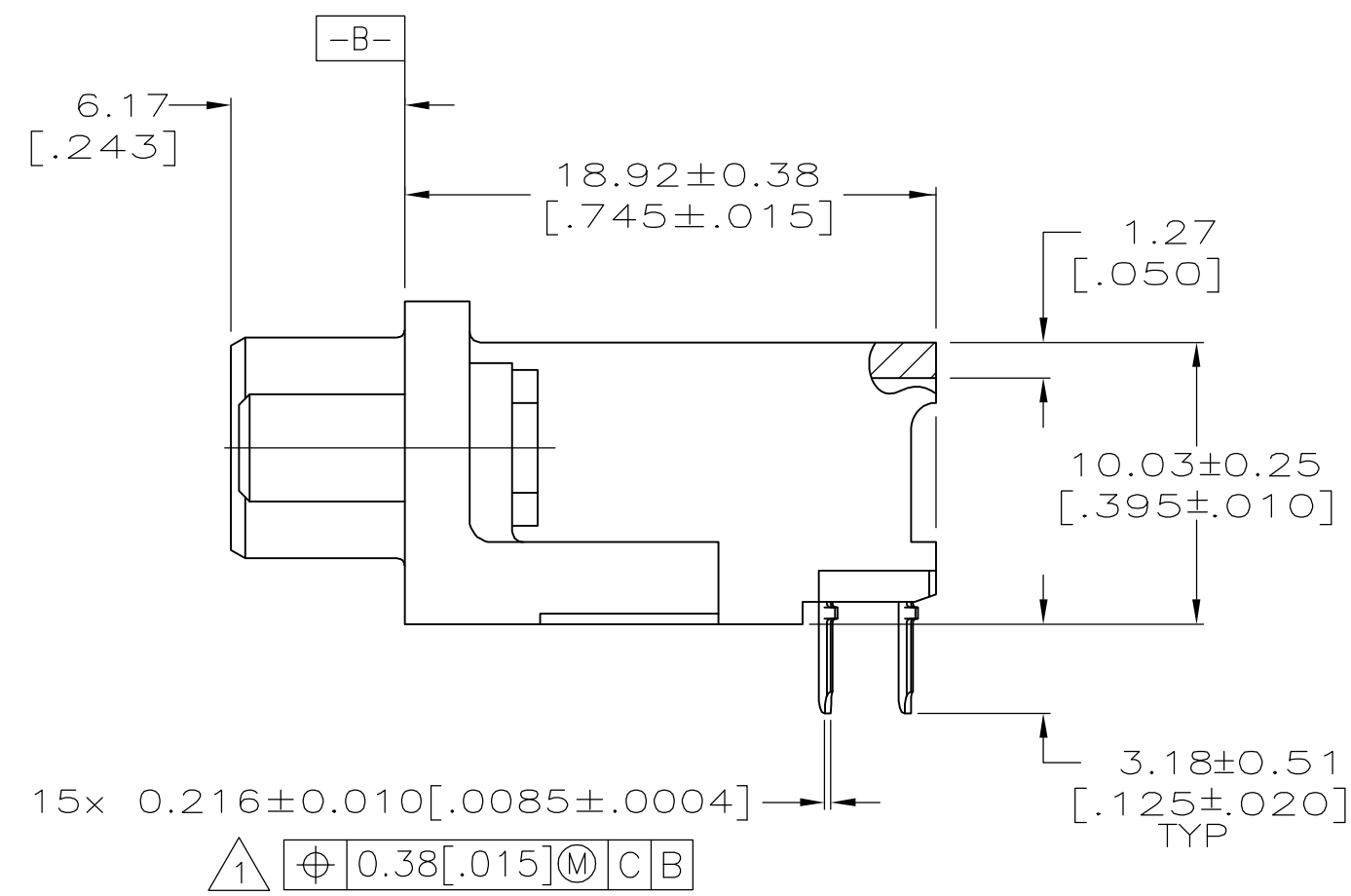
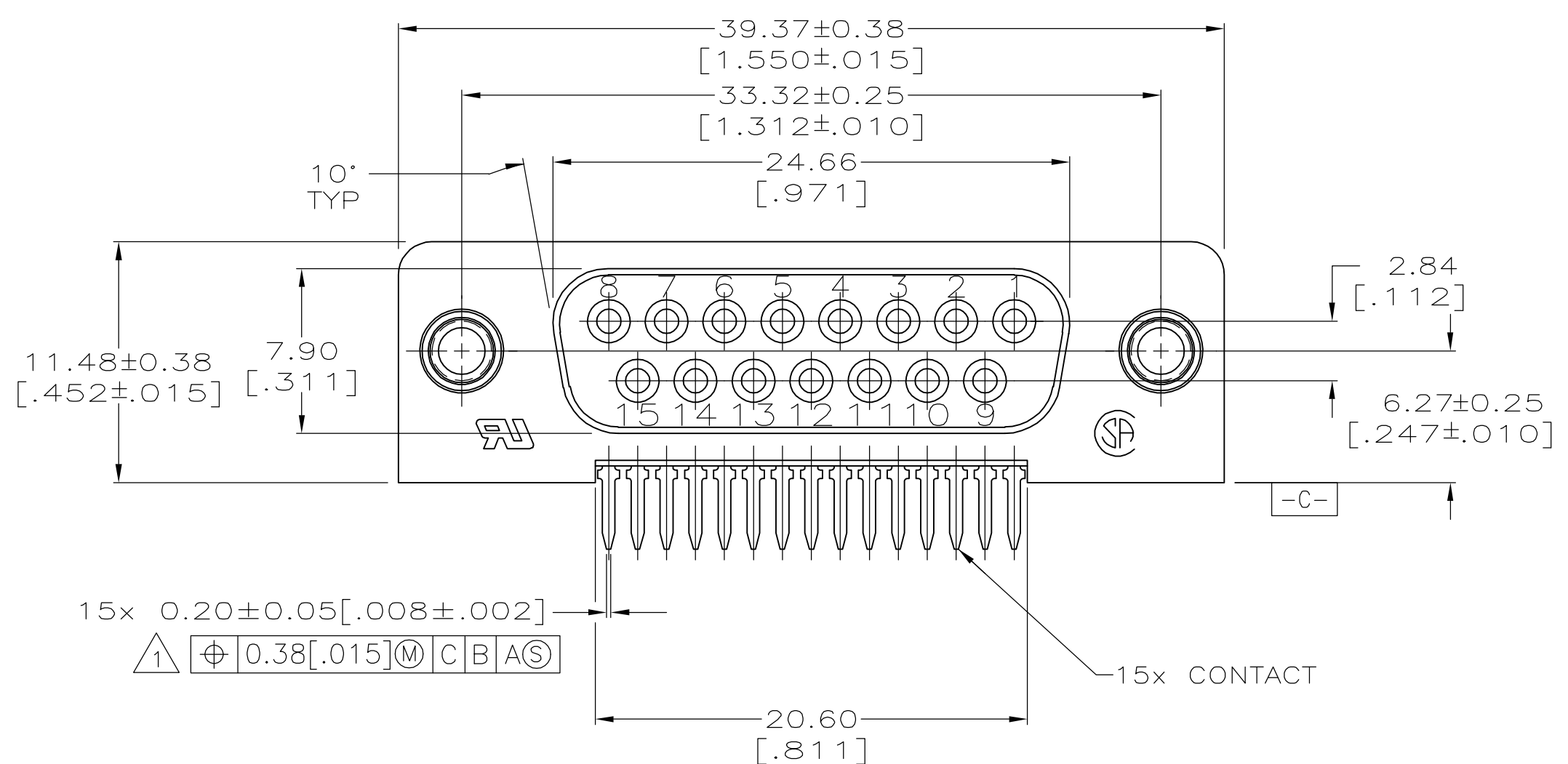


TYCO, PART NO & DATE CODE, MARKED IN AREA INDICATED



PC BOARD MOUNTING DIMENSIONS

- ⚠ POSITION TOLERANCE APPLIES AT TIP ONLY.
- ⚠ HOUSING: FLAME RETARDANT UL94V-0 RATED, GLASS FILLED NYLON OR POLYESTER, COLOR BLACK. CONTACTS: PHOSPHOR BRONZE. SCREWLOCKS: ZINC
- ⚠ CONTACTS: 0.76 μm [0.00030] MIN GOLD FOR A LENGTH OF 1.52 [0.060] MIN FROM MATING END, 2.54 μm [0.001] MIN TIN FOR A LENGTH OF 3.68 [0.145] MIN FROM OPPOSITE END, BOTH OVER 1.27 μm [0.00050] MIN NICKEL. SCREWLOCKS: CLEAR CHROMATE COATING.



5748948-1
PART NO

**COPYRIGHT 2005
 TYCO ELECTRONICS CORP
 ALL RIGHTS RESERVED**

THIS DRAWING IS A CONTROLLED DOCUMENT.		DWN G.PETERS 21SEP05	Tyco Electronics Corporation Harrisburg, PA 17105-3608
DIMENSIONS: mm [INCHES]		CHK S.BOLASH 21SEP05	
TOLERANCES UNLESS OTHERWISE SPECIFIED:		APVD M.WALMSLEY 21SEP05	NAME RECEPTACLE ASSEMBLY, SIZE 2, 15 POSN, ALL PLASTIC, RIGHT ANGLE, .590 SERIES, AMPLIMITE III
0 PLC ± - 1 PLC ± - 2 PLC ± 0.13 [0.005] 3 PLC ± - 4 PLC ± - ANGLES ± 2		PRODUCT SPEC 108-1226 APPLICATION SPEC 114-40027	
MATERIAL	FINISH	WEIGHT	SIZE CAGE CODE DRAWING NO A1 00779 C=5748948
CUSTOMER DRAWING		SCALE 4:1	RESTRICTED TO SHEET 1 OF 1 REV 0

单击下面可查看定价，库存，交付和生命周期等信息

[>>TE Connectivity\(泰科\)](#)