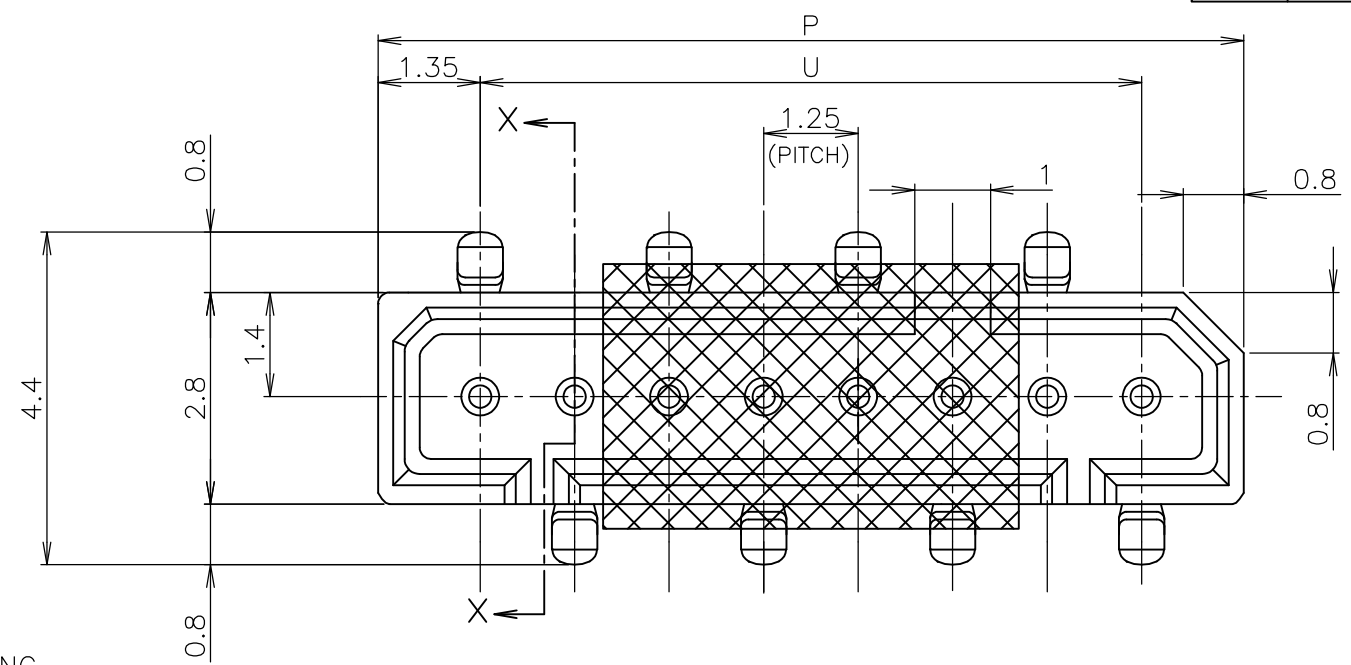
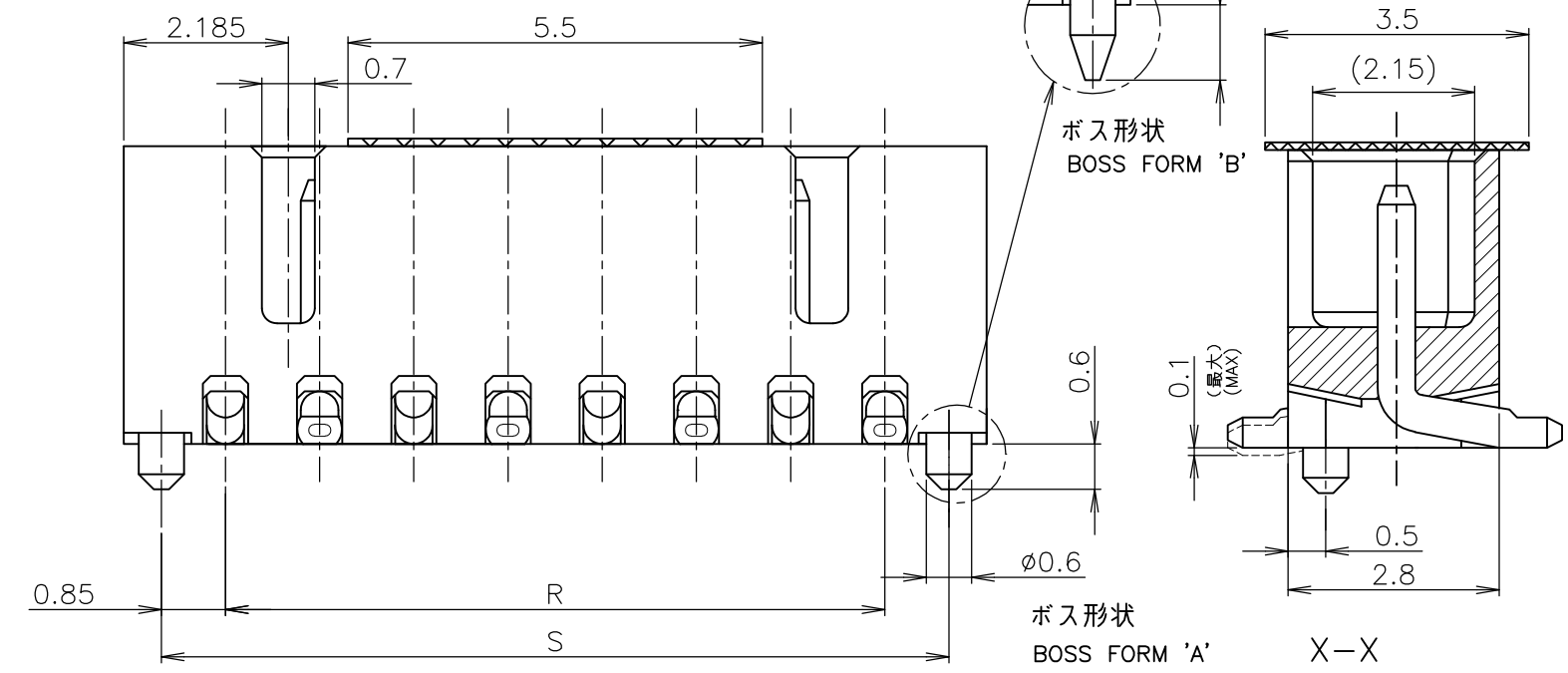
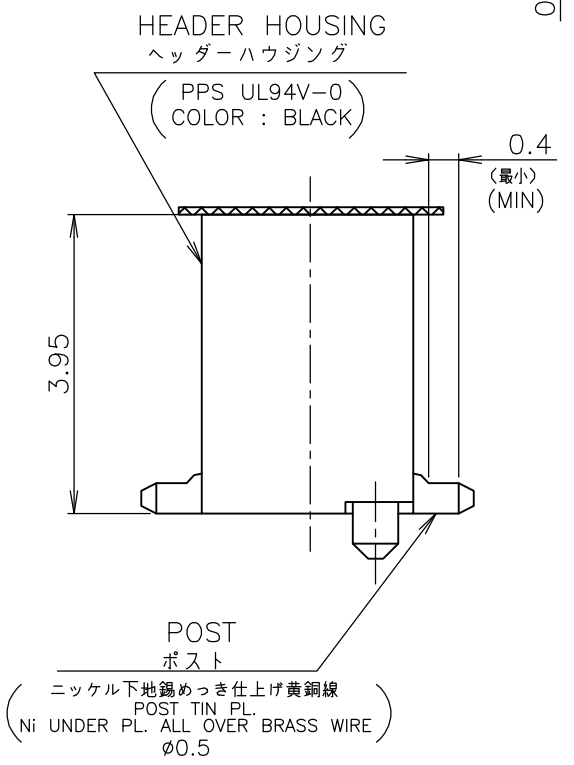


THIS DRAWING IS UNPUBLISHED. RELEASED FOR PUBLICATION
 © COPYRIGHT By - ALL RIGHTS RESERVED.

LOC	DIST	REVISIONS					
J		P	LTR	DESCRIPTION	DATE	DWN	APVD
		D		REVISED ECR-12-017462	11APR13	I.T	S.Y

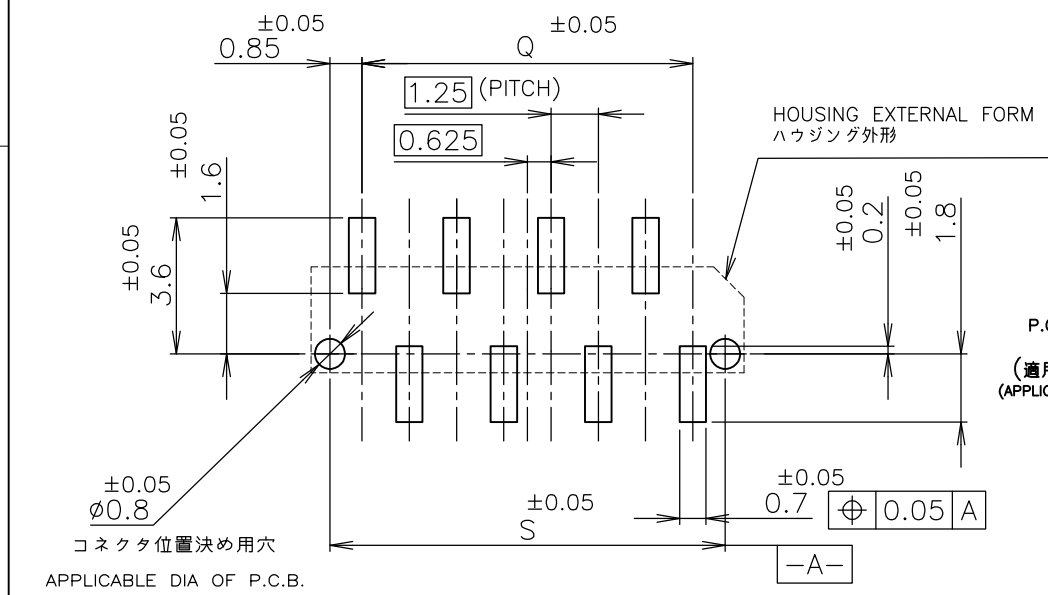


AS SHOWN : 3-1827158-8



吸着テープ付
WITH POLYIMIDE TAPE

OBSELETE	'B'	7.95	6.25	6.25	8.95	6	3-1827158-6
	'A'	10.45	8.75	8.75	11.45	8	3-1827158-8
	ボス形状 BOSS TYPE	S	R	U	P	極数 Pos.	型番 P/N



P.C.B MOUNTING LAYOUT
基板加工寸法
(適用基板厚 : 0.6mm 最小)
(APPLICABLE P.C.B THK : 0.6mm MIN)

THIS DRAWING IS A CONTROLLED DOCUMENT.

DIMENSIONS: 単位: 概 mm	TOLERANCES UNLESS OTHERWISE SPECIFIED: 一般公差
0 PLC ± 0.3	1 PLC ± 0.3
2 PLC ± 0.3	3 PLC ± 0.3
4 PLC ± 0.3	ANGLES ± 3°
MATERIAL 材料	FINISH 仕上
AS SHOWN 図中参照	AS SHOWN 図中参照

DWN Y.SHINO	17DEC2004
CHK T.KUSUHARA	17DEC2004
APVD H.MURAMATSU	17DEC2004
PRODUCT SPEC 製品規格	108-5246
APPLICATION SPEC 取付適用規格	
WEIGHT	

STE TE Connectivity

1.25 FP CONNECTOR B-TO-B
SINGLE ROW POST HDR ASS'Y SMT TYPE
WITH BOSS, WITH POLYIMID TAPE

SIZE	CAGE CODE	DRAWING NO	RESTRICTED TO
A3	00779	C-1827158	

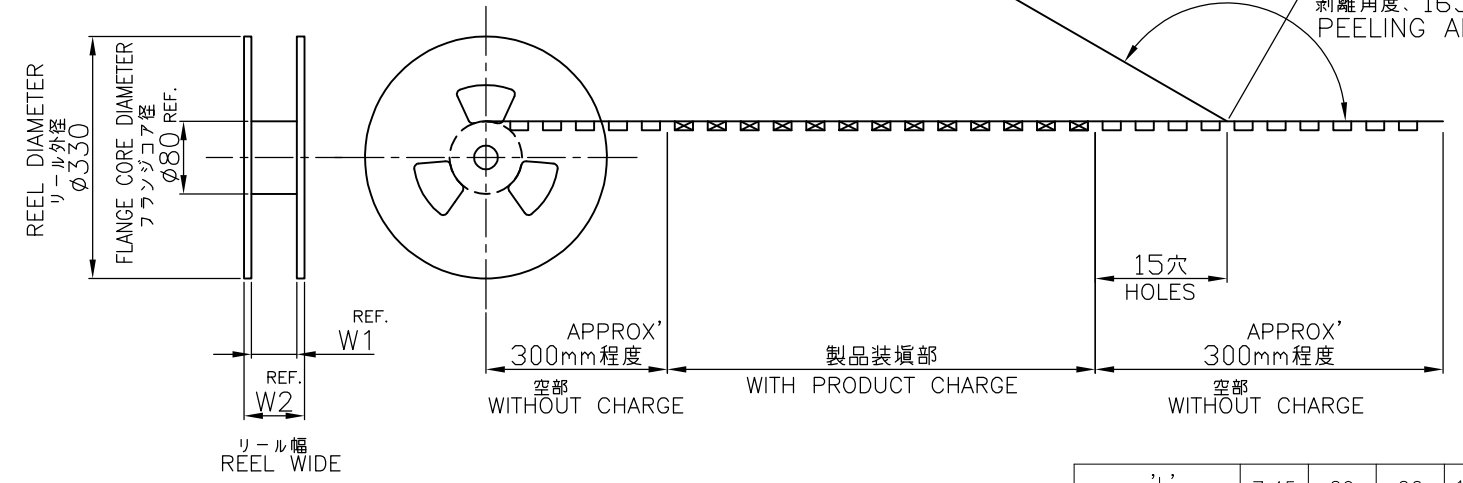
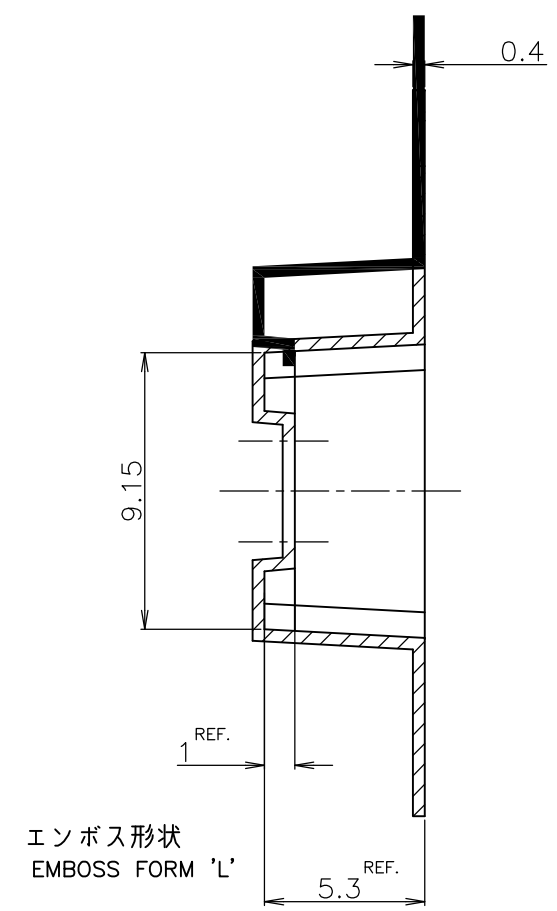
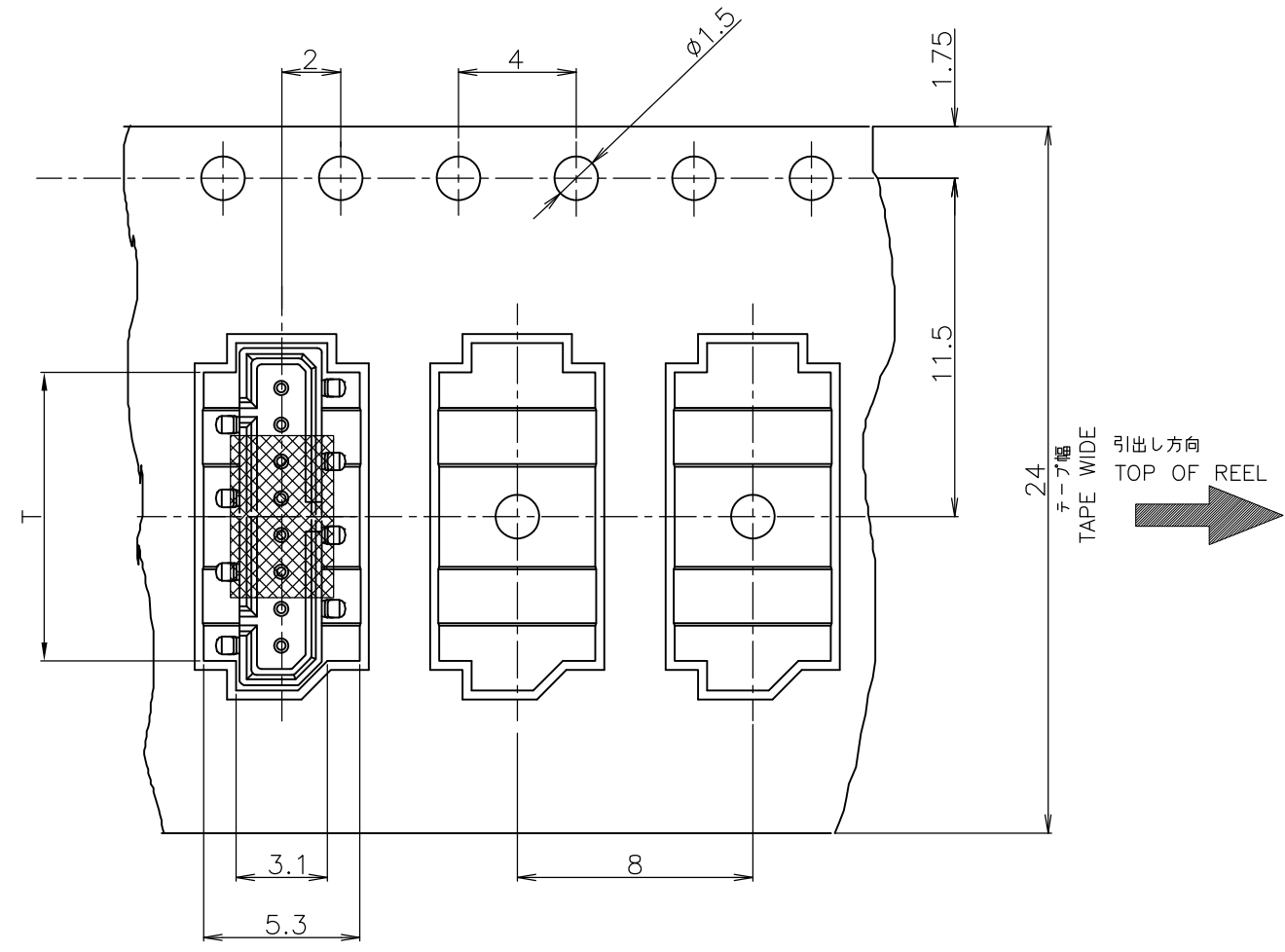
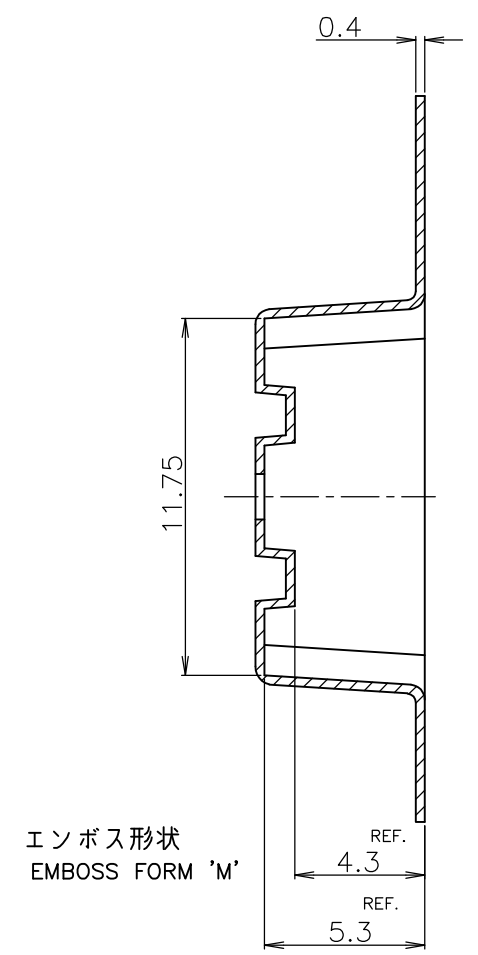
CUSTOMER DRAWING

SCALE 10:1 SHEET 1 OF 2 REV D

THIS DRAWING IS UNPUBLISHED. RELEASED FOR PUBLICATION
 © COPYRIGHT By - ALL RIGHTS RESERVED.

LOC	DIST	REVISIONS					
J		P	LTR	DESCRIPTION	DATE	DWN	APVD
		-		SEE SHEET 1	-	-	-

吸着テープ付
WITH POLYIMIDE TAPE



AS SHOWN : 3-1827158-8
3-1827158-6

'L'	7.45	29	26	1400	6
'M'	9.8	29	26	1400	8
エンボス形状 EMBOSS TYPE	T	W2	W1	数量 (枚) QTY/REEL	位置 Pos.

THIS DRAWING IS A CONTROLLED DOCUMENT.

DWN	Y.SHINO	17DEC2004	 TE Connectivity	1.25 FP CONNECTOR B-TO-B SINGLE ROW POST HDR ASS'Y SMT TYPE WITH BOSS, WITH POLYIMID TAPE
CHK	T.KUSUHARA	17DEC2004		
APVD	H.MURAMATSU	17DEC2004		
NAME	名称			
PRODUCT SPEC	製品規格		SIZE	A3
APPLICATION SPEC	取付適用規格		CAGE CODE	00779
WEIGHT			DRAWING NO	G-1827158
MATERIAL	AS SHOWN	材	FINISH	仕上
AS SHOWN	図中参照		CUSTOMER DRAWING	SCALE 10:1
AS SHOWN	図中参照		SHEET 2 OF 2	REV D

单击下面可查看定价，库存，交付和生命周期等信息

[>>TE Connectivity\(泰科\)](#)