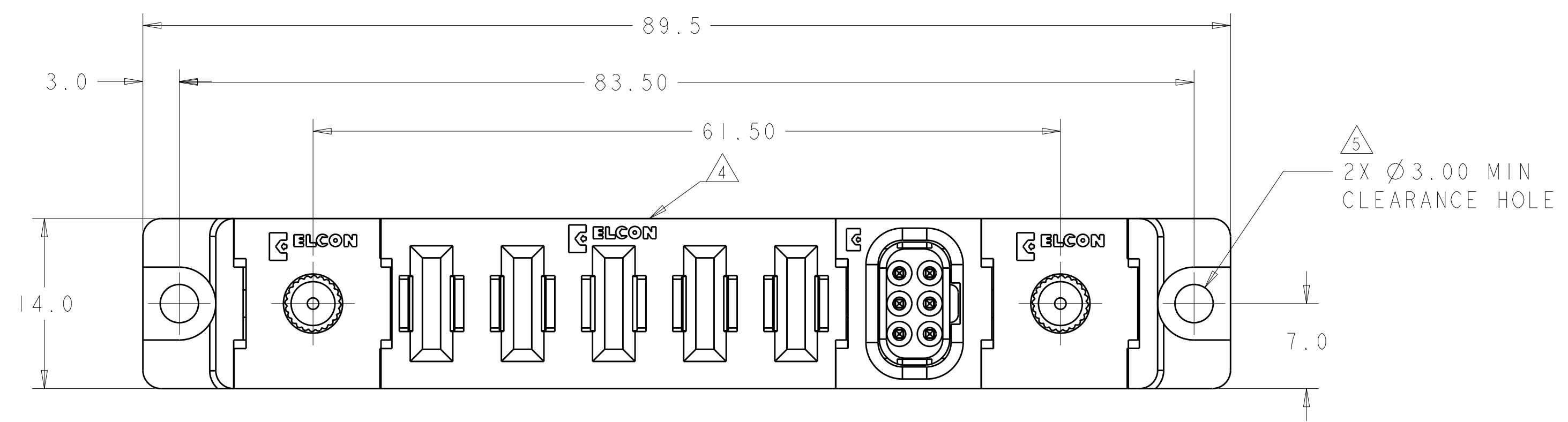


LOC	DIST	REVISIONS			
GP	00	REV	DATE	BY	APPD
		A	07AUG2007	RG	PD
		B	14SEP2011	RG	MS



1. PART NUMBER CHANGES AND OR DESIGN CHANGES AFFECTING ITEM INTERCHANGEABILITY REQUIRE PRIOR TYCO ELECTRONICS APPROVAL AND AUTHORIZATION BY REVISION TO THIS DRAWING.

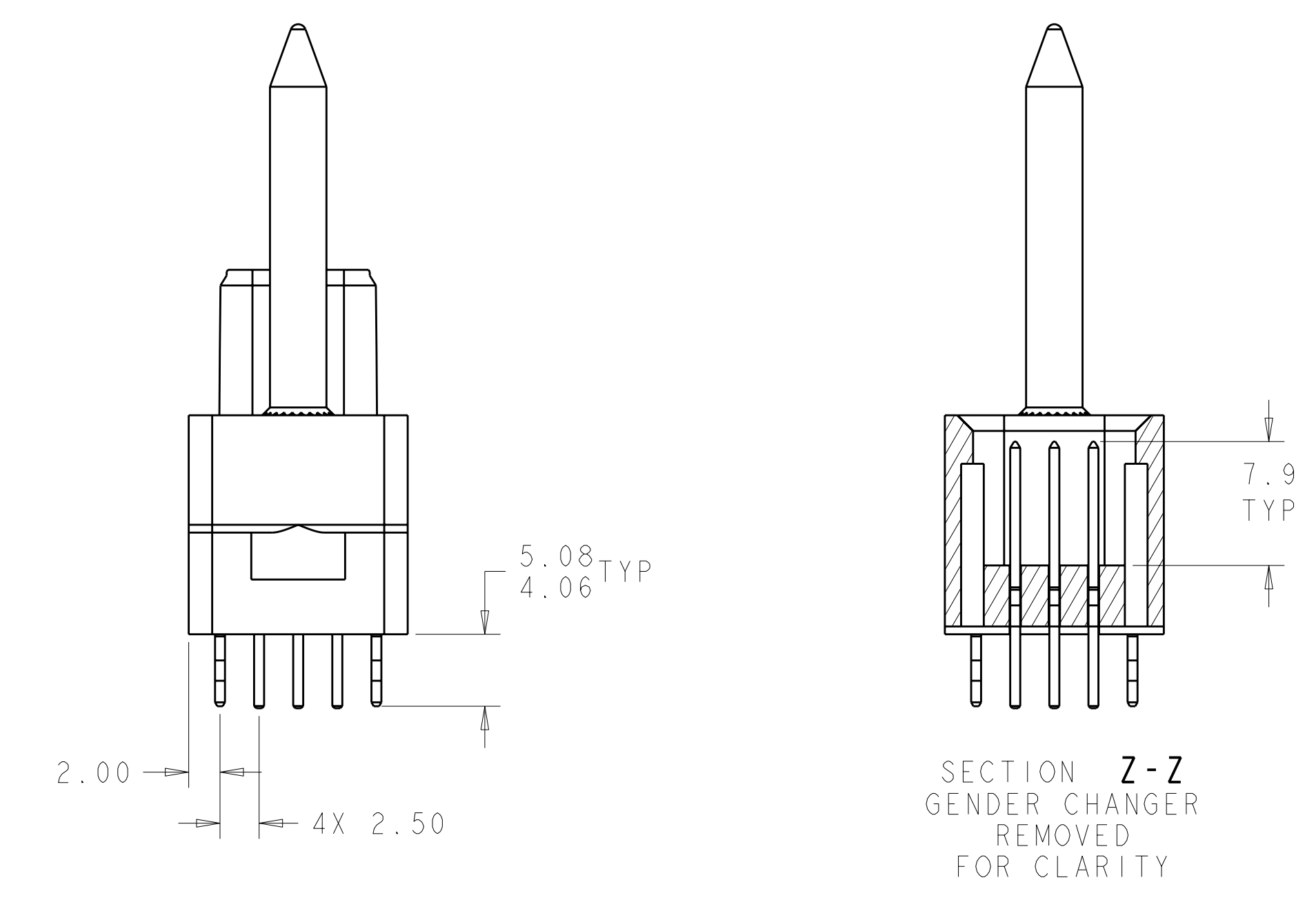
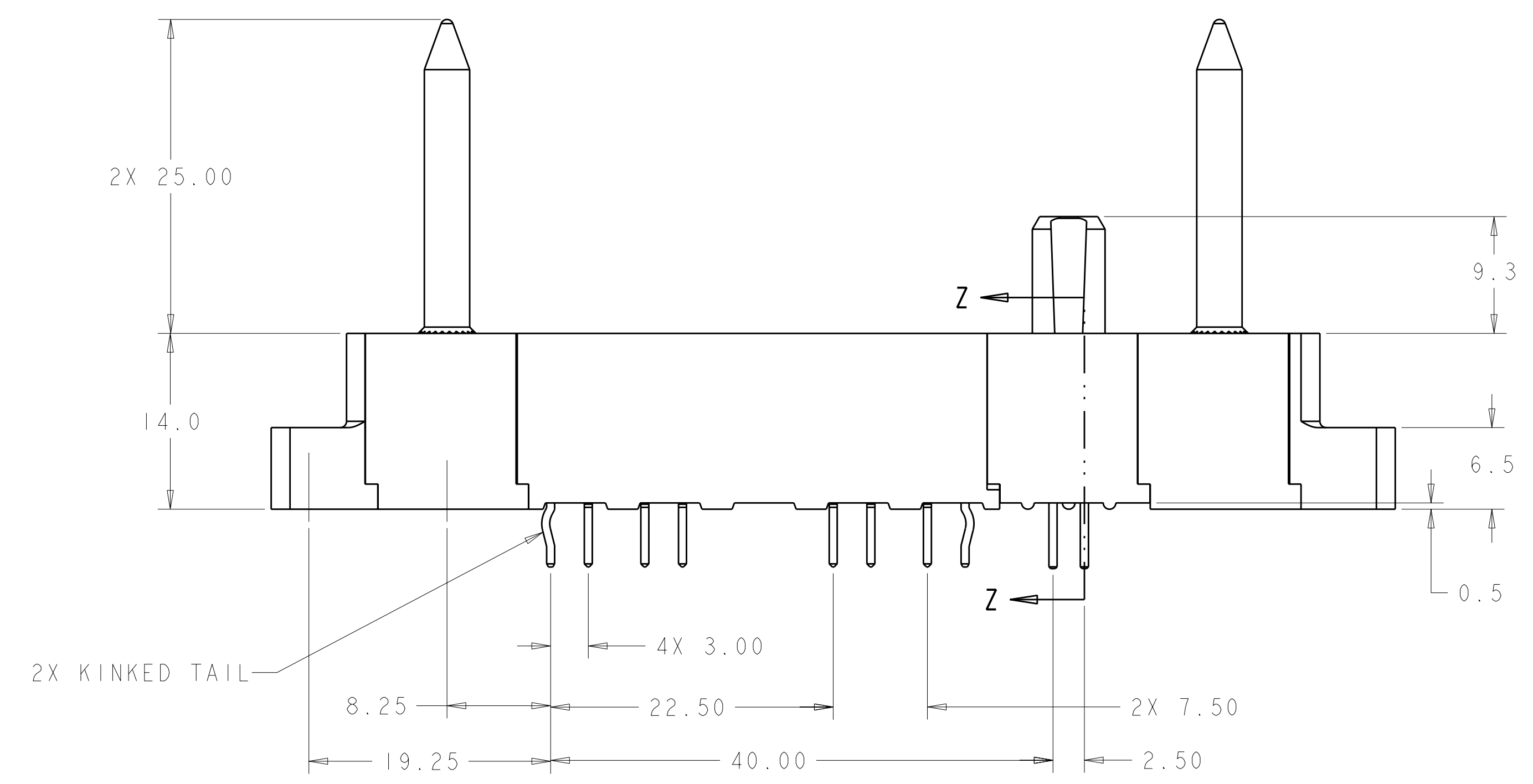
2 MATERIAL: INSULATORS - THERMOPLASTIC, GLASS REINFORCED, COLOR: BLACK UL94V-0 FLAMMABILITY RATED.
 POWER CONTACTS - PHOSPHOR BRONZE ALLOY, COPPER ALLOY
 SOLDER SIGNAL PIN - BRASS ALLOY
 CROWN BAND-BERYLLIUM COPPER ALLOY
 GUIDE PIN-BRASS ALLOY

3 FINISH: CONTACTS - GOLD PLATE 0.76µm MIN. THK., OVER NICKEL 1.27µm MIN. THK.
 SOLDER TAILS, TIN 3.05µm MIN. THK. OVER NICKEL 1.27µm MIN. THK.
 GUIDE PIN - NICKEL PLATE 1.27µm MIN THK.

4 ITEMS PROVIDED TO THIS SPECIFICATION TO BE PERMANENTLY IDENTIFIED PER THE FOLLOWING IDENTIFIER LABEL

TYCO ELECTRONICS P/N DATE CODE (e.g. 0106)
 XXXXXXXX-X XXXX
 YEAR WEEK

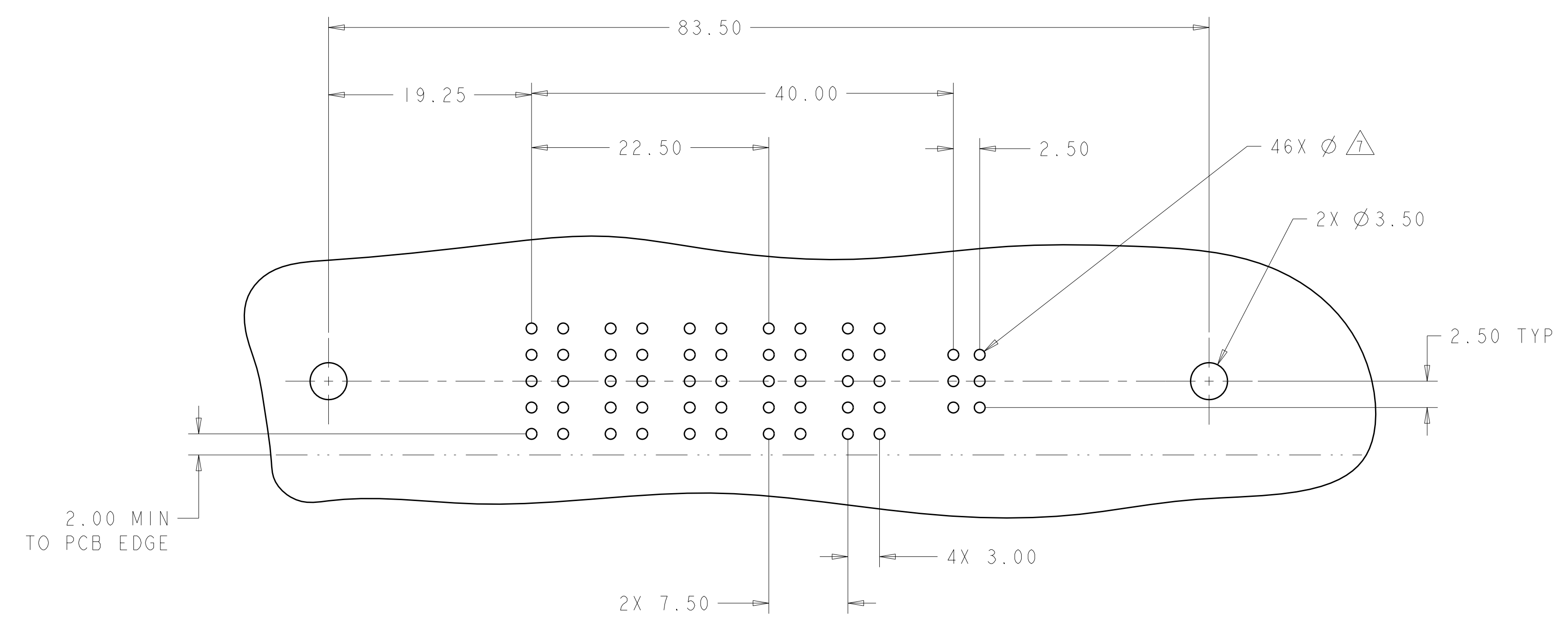
5 MOUNTING FLANGES ACCEPT M3 OR 4-40 SCREWS (USER SUPPLIED).



ELCON FLATPAQ

DIMENSIONS:		TOLERANCES UNLESS OTHERWISE SPECIFIED:		DWN R. GRZYBOWSKI 07AUG2007		AS SHOWN 6646410-1	
mm	0 PLC ±.5	1 PLC ±.5	2 PLC ±.25	CHK P. DAMATO 07AUG2007	Tyco Electronics Harrisburg, PA 17105-3608		DESCRIPTION PART NUMBER
	3 PLC ±.5	4 PLC ±.5	ANGLES ±.3	APVD S. FLICKINGER 07AUG2007	NAME		SOCKET CONNECTOR, STRAIGHT SOLDER TAILS W/ KINKED FLATPAQ
MATERIAL	FINISH	WEIGHT	CUSTOMER DRAWING	SIZE CAGE CODE DRAWING NO. RESTRICTED TO		A 100779 C=6646410	
				SCALE 3:1		SHEET 1 OF 3 REV B	

LOC	DIST	REV	DATE	BY	APPD
GP	00				
REVISIONS					

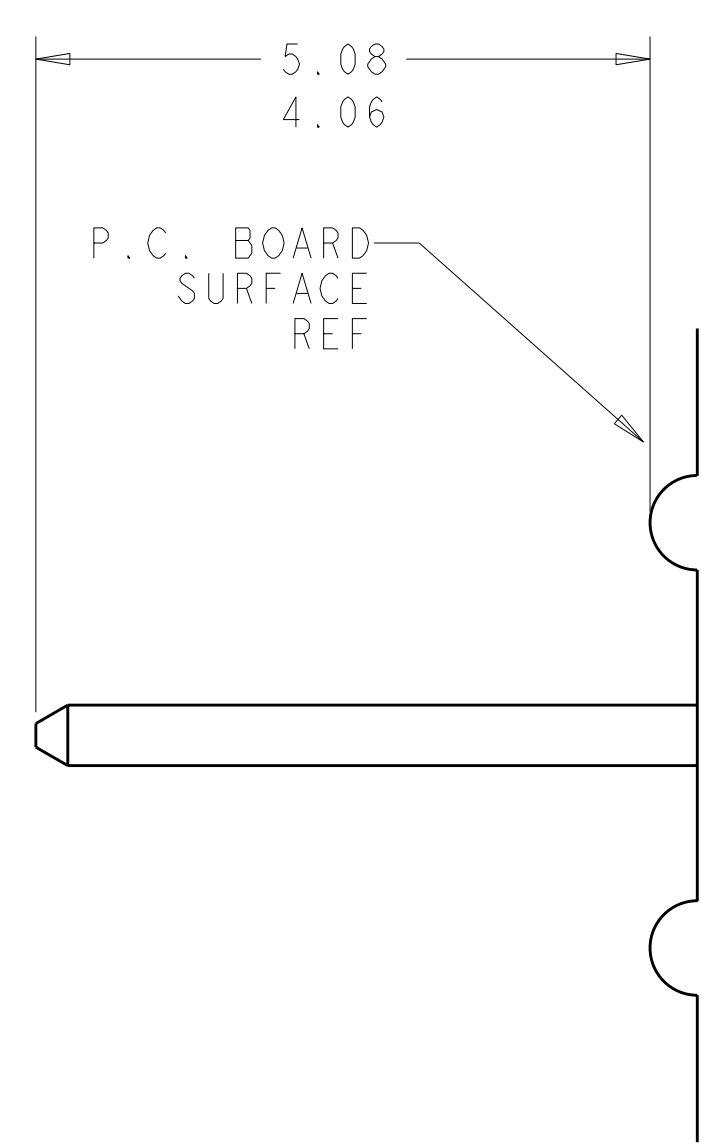


PRINTED CIRCUIT LAYOUT
 COMPONENT SIDE

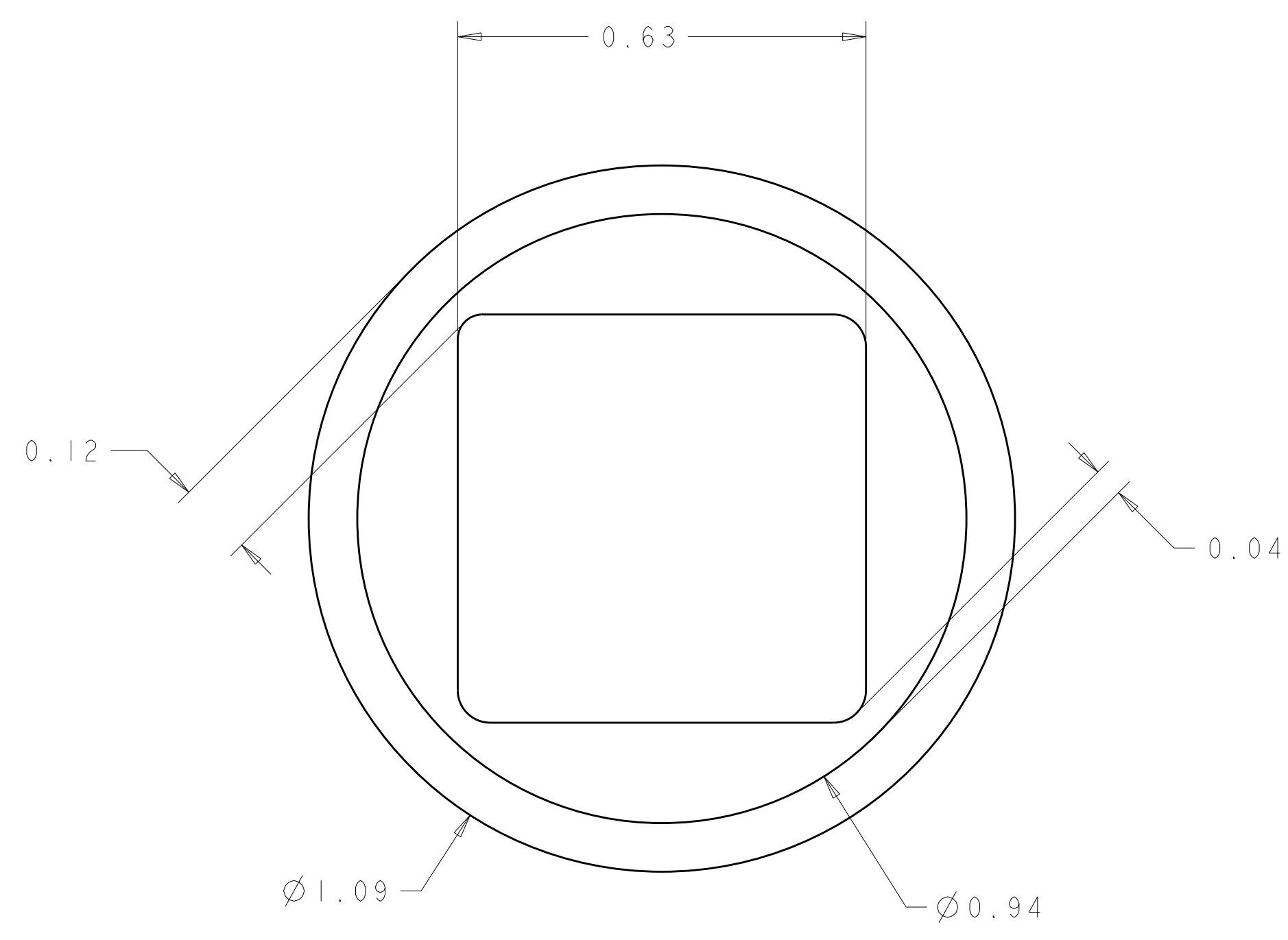
CONNECTOR	CATALOG MODULE #	QTY	SIZE NO.	CONTACT QTY	MATING PIN	MAX. CURRENT (PER CONTACT)	CONTACT SPACING	VOLTAGE RATING
SOCKET	FP100	4	8	4	1.25 X 7.00 [.049 X .276]	35 amps	7.50 [.2953]	250 VOLTS
	FP313	1	8	6	.64 [.025] SQ.	3 amps	2.50 [.0984]	125 VOLTS
	FP511	1	SPACER					
	FP503	2	GUIDE PIN, PASSIVE					
	FP500	1	MOUNTING FLANGE, LEFT					
	FP501	1	MOUNTING FLANGE, RIGHT					

DIMENSIONS: mm 		TOLERANCES UNLESS OTHERWISE SPECIFIED: 0 PLC ±.5 1 PLC ±.5 2 PLC ±.25 3 PLC ±.25 4 PLC ±.25 ANGLES ±.3 FINISH -		DWN R. GRZYBOWSKI 07AUG2007 CHK P. DAMATO 07AUG2007 APVD S. FLICKINGER 07AUG2007 PRODUCT SPEC - APPLICATION SPEC - WEIGHT - CUSTOMER DRAWING		Tyco Electronics Harrisburg, PA 17105-3608 NAME SOCKET CONNECTOR, STRAIGHT SOLDER TAILS W/ KINKED FLATPAQ SIZE CAGE CODE DRAWING NO. RESTRICTED TO A100779C-6646410 -	
MATERIAL - FINISH -		SCALE 3:1 SHEET 2 OF 3 REV B		DATE 07AUG2007		BY S. FLICKINGER	

LOC	DIST	REVISIONS					
		P	LTR	DESCRIPTION	DATE	DWN	APVD
GP	00	-	-	SEE SHEET 1	-	-	-



6. SOLDER PIN DETAIL
SCALE 10 : 1



△ SOLDER TERMINATION AREA
 SCALE 40:1
 RECOMMENDED PRINTED CIRCUIT SOLDER HOLE
 FINISHED HOLE: Ø1.02 [.040] ±.08 [.003]
 DRILLED HOLE: Ø1.15 [.0453] ±.013 [.0005]
 COPPER PLATE: .025 [.0010] MIN
 TIN PLATE: .008 [.0003] MIN. (PER SURFACE)

ELCON FLATPAQ

<small>THIS DRAWING IS UNPUBLISHED. RELEASED FOR PUBLICATION BY TYCO ELECTRONICS CORPORATION. ALL RIGHTS RESERVED.</small>		DWN: R. GRZYBOWSKI CHK: P. DAMATO APVD: S. FLICKINGER	Tyco Electronics Harrisburg, PA 17105-3608
DIMENSIONS: mm 	TOLERANCES UNLESS OTHERWISE SPECIFIED: 0 PLC ±.5 1 PLC ±.5 2 PLC ±.25 3 PLC ±.25 4 PLC ±.25 ANGLES ±.3 FINISH -	NAME: SOCKET CONNECTOR, STRAIGHT SOLDER TAILS W/ KINKED FLATPAQ PRODUCT SPEC: - APPLICATION SPEC: - WEIGHT: - MATERIAL: -	SIZE: A 00779 C=6646410 SCALE: 3:1 SHEET: 3 OF 3 REV: B
CUSTOMER DRAWING		RESTRICTED TO: -	

单击下面可查看定价，库存，交付和生命周期等信息

[>>TE Connectivity\(泰科\)](#)