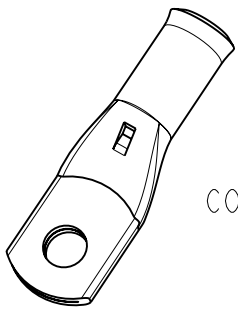
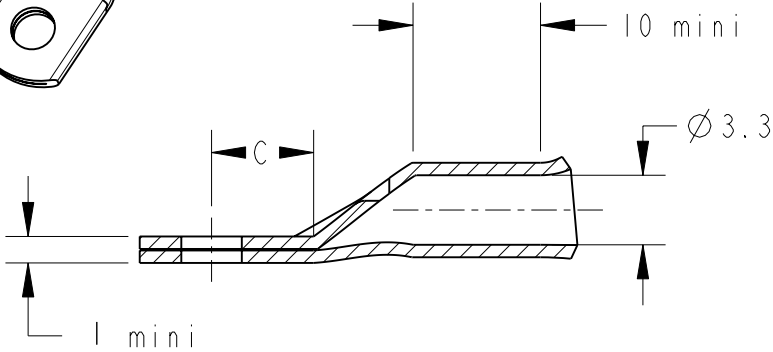


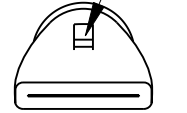
LOC		DIST		REVISIONS				
P	LTR REV	DESCRIPTION MODIFICATIONS		DATE	DWN DESS.	APVD APP.		
	D1	REVISED PER ECO-11-005150		28MAR2011	RK	HMR		
	E	ECR-11-018538		07SEP2011	LP	NA		



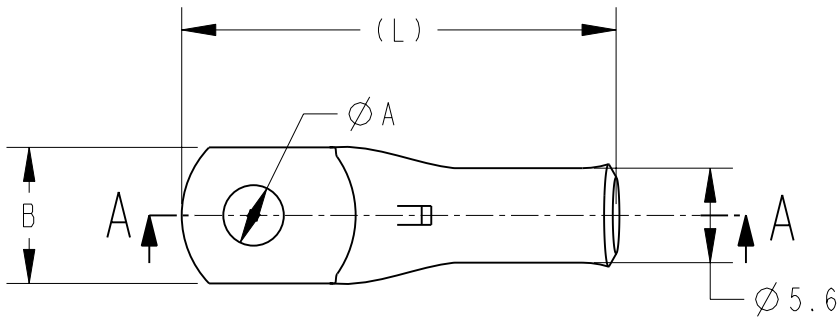
COUPE A-A



Inspection hole



Ces produits répondent à la norme NFC 20-130.
 These products are NFC 20-130 compliant.



(L)	C	B	Ø A	DESCRIPTION	PART NUMBER
31	7	10	4,2	XCT 6-4	710032-1
31	7	10	5,2	XCT 6-5	710032-2
31	7	13	6,4	XCT 6-6	710032-4
35	9	13	8,3	XCT 6-8	710032-6

- 1 - MATERIAL = TINNED COPPER
- 2 - Marking in depth: logo-section-hole-Made in France +
- 3 - CABLE SECTION = 10AWG or 6 mm²
- 4 - GROOVE E6Cu

20

RELEASED FOR PUBLICATION
 LIBRE A LA DIFFUSION

ALL RIGHTS RESERVED.
 TOUS DROITS RESERVES.

THIS DRAWING IS UNPUBLISHED.
 DIFFUSION RESTREINTE

© COPYRIGHT 20

TOLERANCES UNLESS OTHERWISE SPECIFIED: -
 TOLERANCES NON SPECIFIEES: -

DIMENSIONS: mm		DWN/DESSINE D. LEGUY	15DEC00	MATERIAL MATIERE	CUIVRE	FINISH FINITION	ETAME		
TOLERANCES UNLESS OTHERWISE SPECIFIED: TOLERANCES NON SPECIFIEES (SUIV NB DE DECIMALES): 0 PLC/DEC: ±0 1 PLC/DEC: ±0 2 PLC/DEC: ±0 3 PLC/DEC: ±0 4 PLC/DEC: ±0 ANGLES ±-		CHK/VERIFIE E. DEREY	-	TE Connectivity					
		APVD/APPROUVE N. ALMEIDA	-						
		PRODUCT SPEC SPEC. PRODUIT	-	NAME TITRE	XCT 6-..				
		APPLICATION SPEC SPEC. APPLICATION	-	SIZE FORMAT	CAGE CODE	DRAWING NO No PLAN	RESTRICTED TO RESERVE A		
		WEIGHT MASSE APPROX.	A4	00779	©=710032				
CUSTOMER DRAWING		/PLAN CLIENT		UNIQUEMENT POUR REFERENCE	SCALE ECHELLE - / -	SHEET FEUILLE	OF DE	REV E	

单击下面可查看定价，库存，交付和生命周期等信息

[>>TE Connectivity\(泰科\)](#)