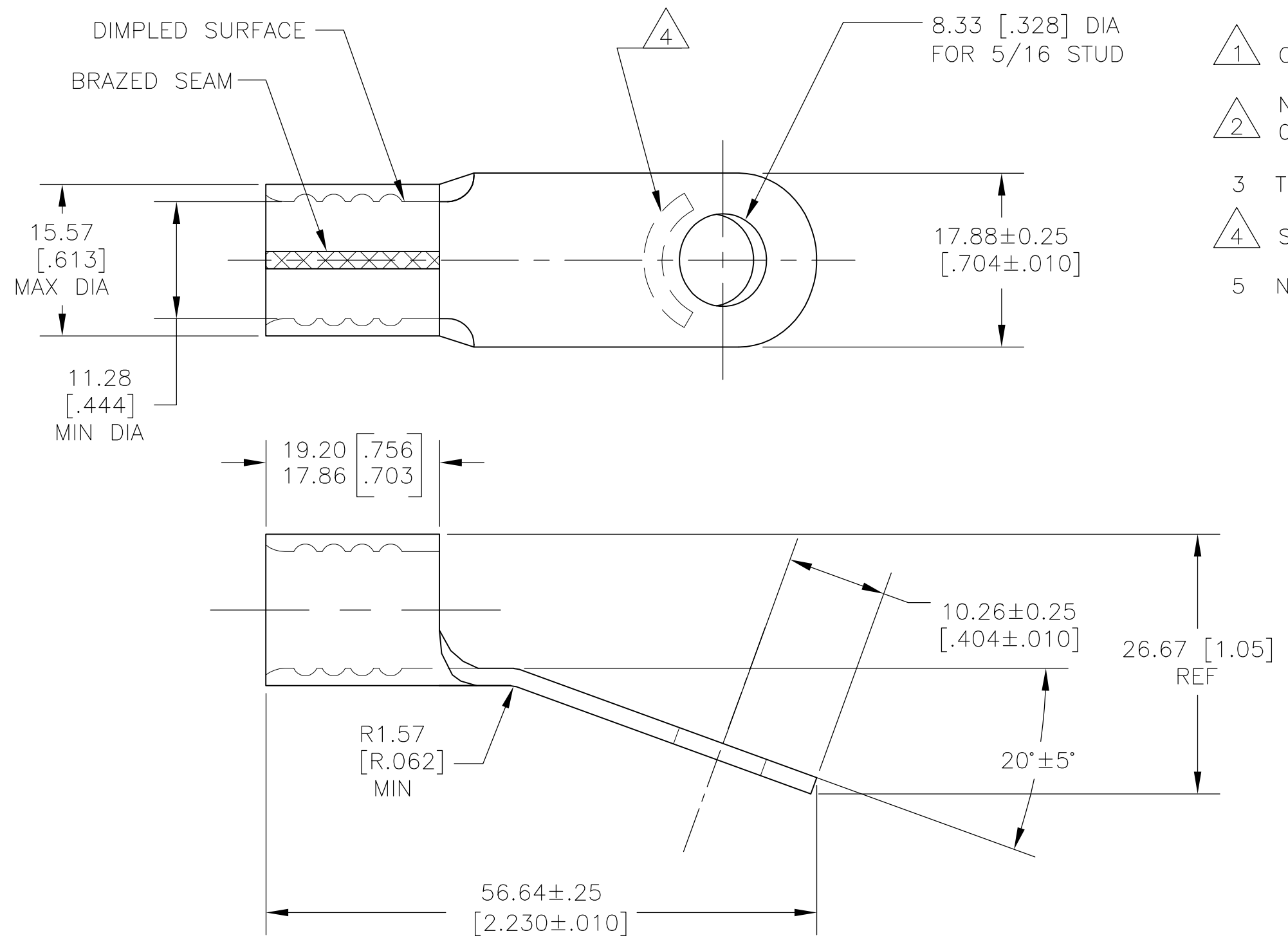


THIS DRAWING IS UNPUBLISHED. RELEASED FOR PUBLICATION  
 © COPYRIGHT BY TYCO ELECTRONICS CORPORATION. ALL RIGHTS RESERVED.

LOC	DIST	REVISIONS			
P	LTR	DESCRIPTION	DATE	DWN	APVD
G	14	A1	REVISED PER ECO-10-020397	09OCT10	HMR DR



- 1 COPPER PER ASTM B-152, ANNEALED
- 2 NICKEL PLATE PER QQ-N-290, 0.00762 [.000300] MIN THK.
- 3 TONGUE MATERIAL THK IS 1.78±0.08 [.070±.003]
- 4 STAMP "AMP 1/0W\*", APPROX AS SHOWN.
- 5 NOTE DELETED

1958245-1  
 PART NO

THIS DRAWING IS A CONTROLLED DOCUMENT.		DWN	jr_ruth	21JUL08	 Tyco Electronics Corporation Harrisburg, PA 17105-3608
DIMENSIONS: MM [ INCHES ] 		CHK	RAY LANDON	21JUL08	
TOLERANCES UNLESS OTHERWISE SPECIFIED: 0 PLC ± - 1 PLC ± - 2 PLC ± 0.20 [.008] 3 PLC ± - 4 PLC ± - ANGLES ± 5°		APVD	RAY LANDON	21JUL08	NAME
MATERIAL		PRODUCT SPEC			TERMINAL, RING TONGUE, STRATOTHERM, 1/0
FINISH		APPLICATION SPEC			
		WEIGHT			RESTRICTED TO
		SIZE CAGE CODE DRAWING NO A3 00779 C-1958245			—
CUSTOMER DRAWING				SCALE	2:1
				SHEET	1 OF 1
				REV	A1

单击下面可查看定价，库存，交付和生命周期等信息

[>>TE Connectivity\(泰科\)](#)