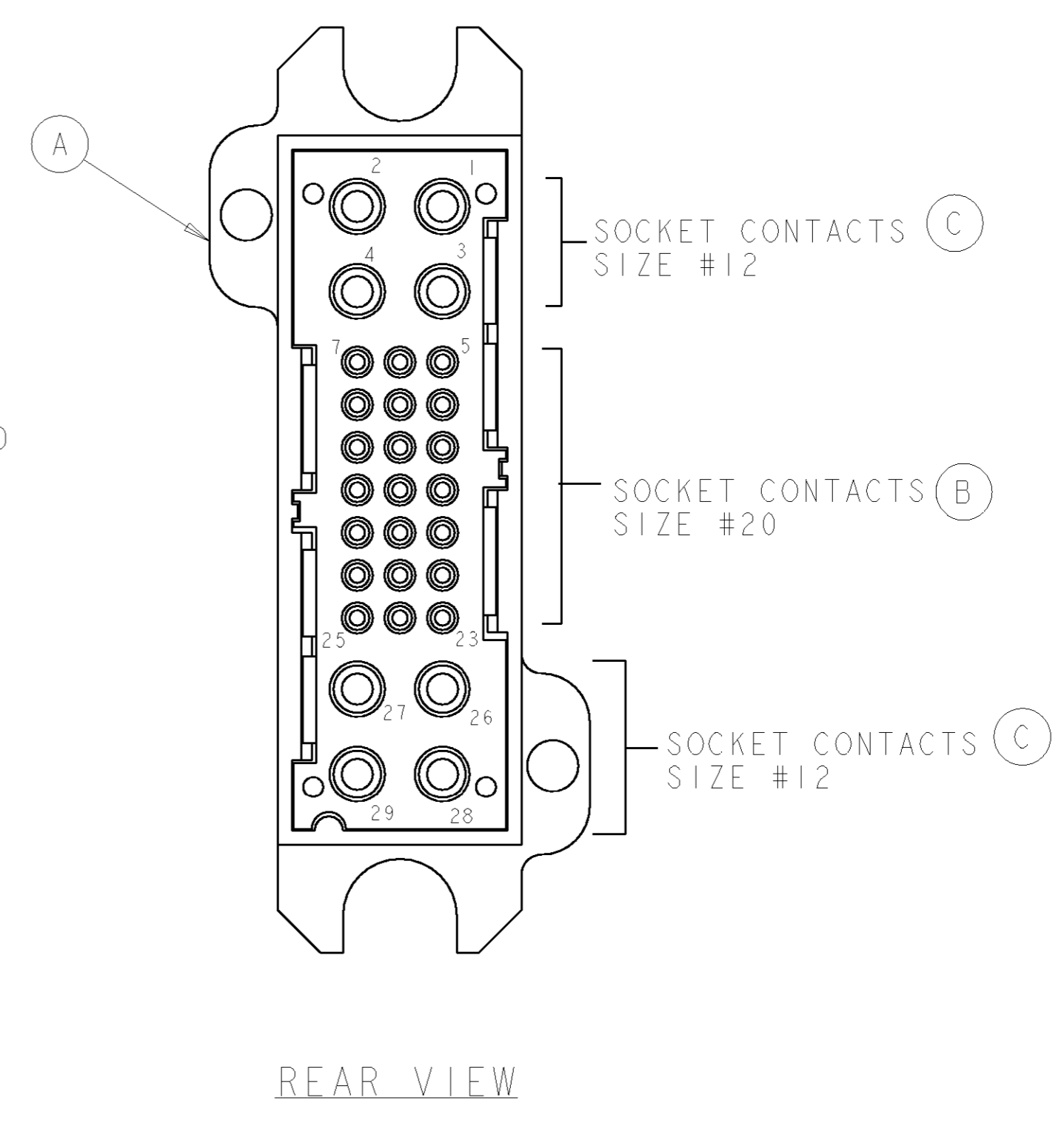
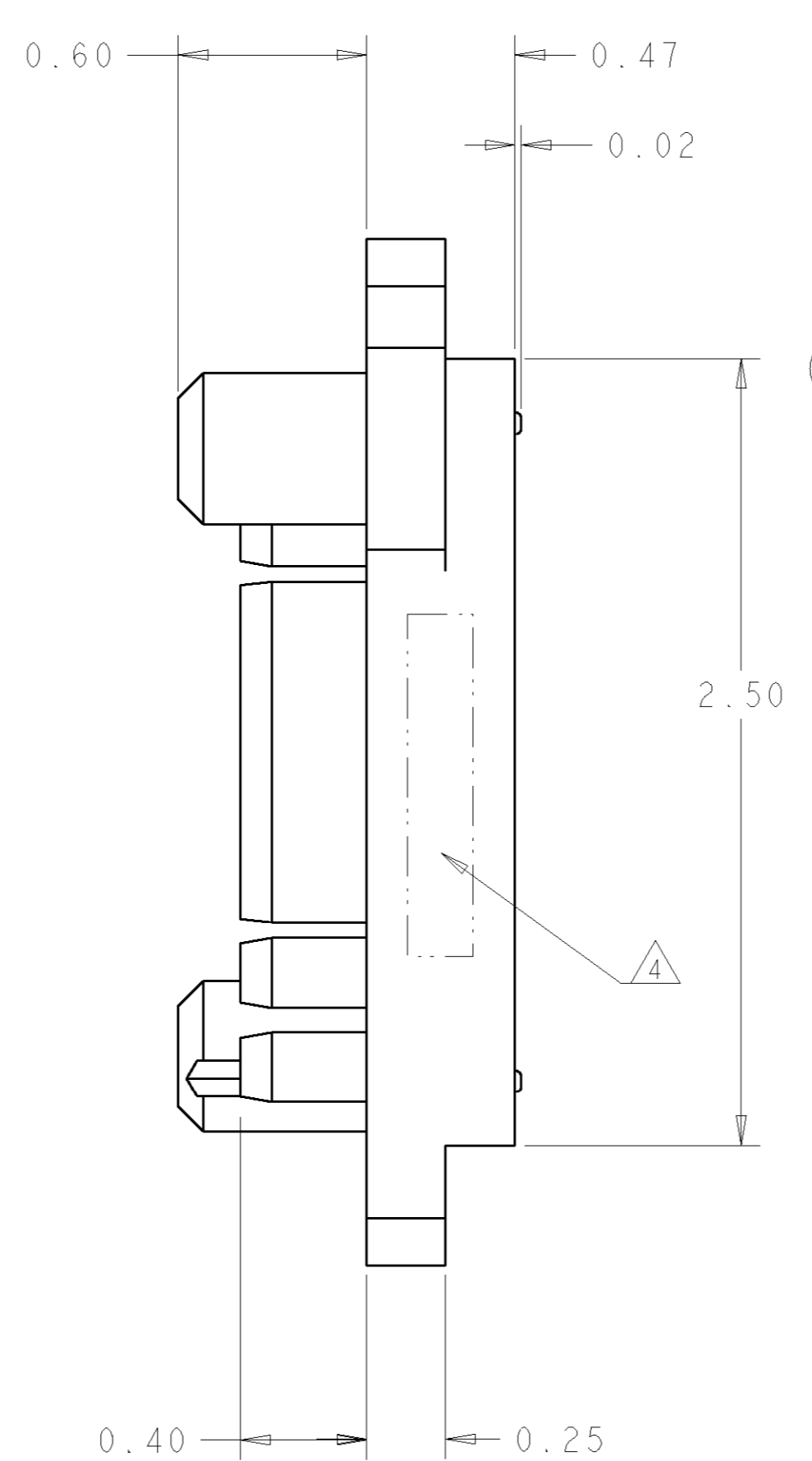
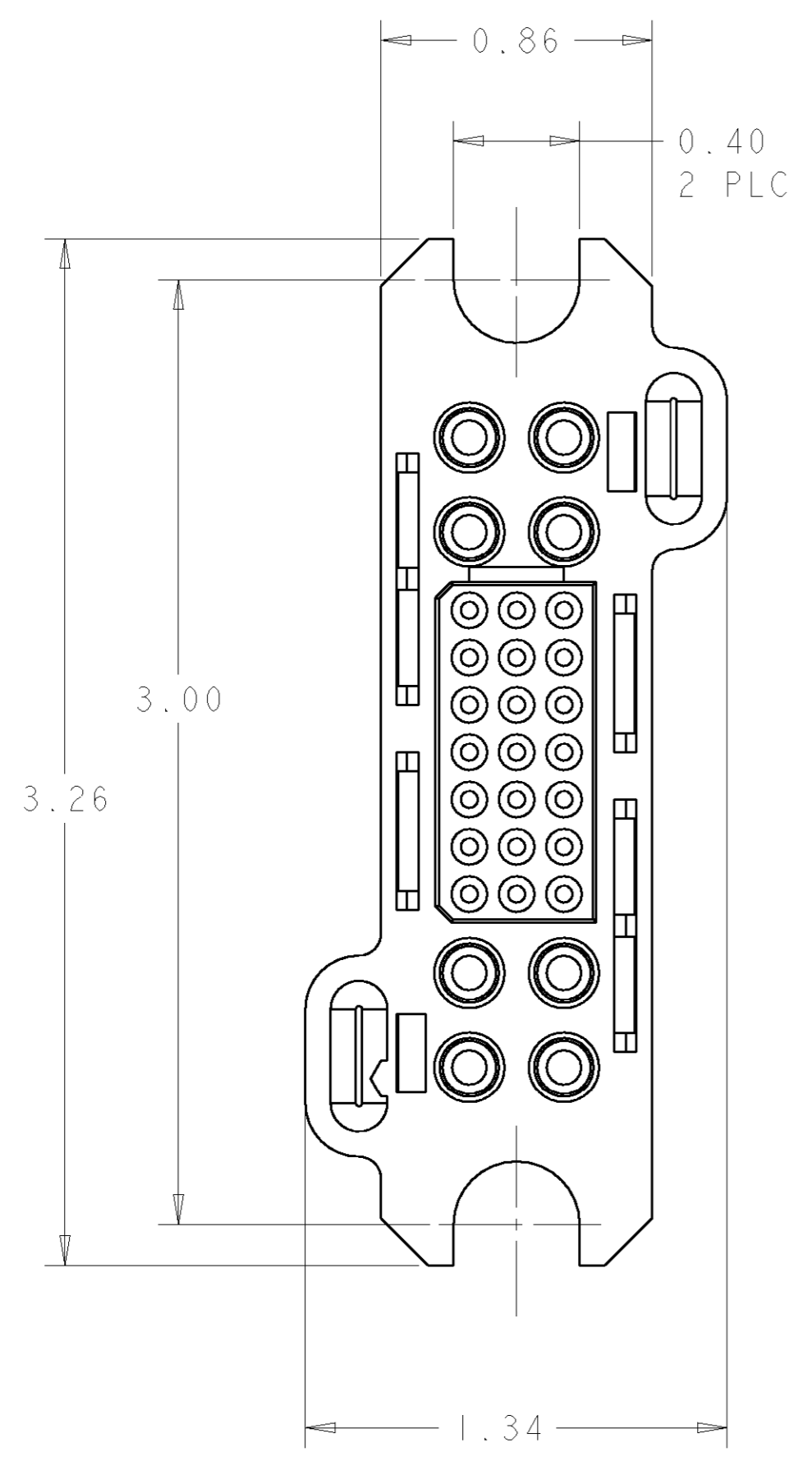


| LOC | DIST | REVISIONS | | | |
|-----|------|-------------|----------|-----------|-------|
| P | LTR | DESCRIPTION | DATE | DWN | APVD |
| GP | 00 | A | RELEASED | 24JUL2006 | RG SF |



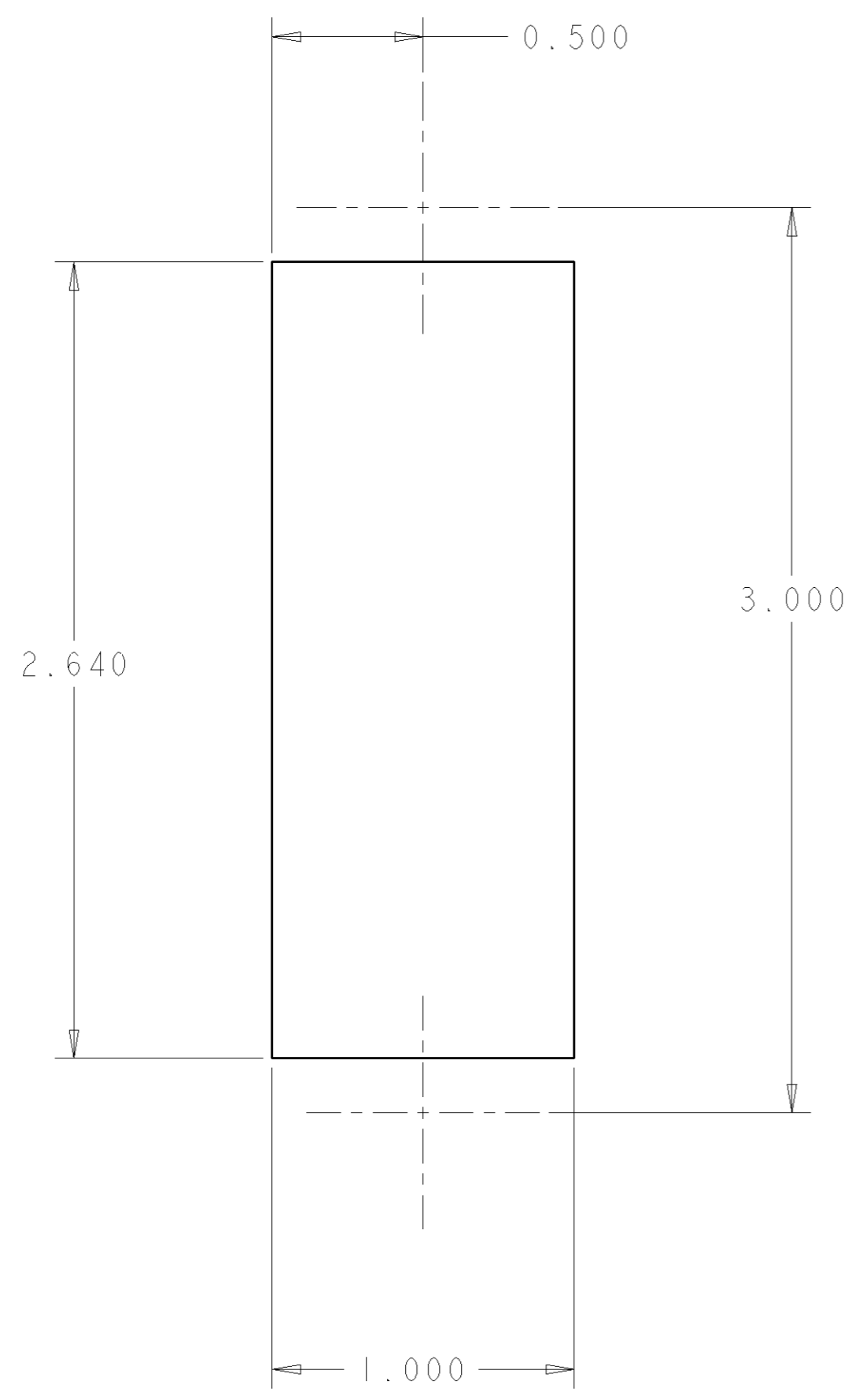
| | |
|-------------|-------------|
| AS SHOWN | 1926160-1 |
| DESCRIPTION | PART NUMBER |

| | | | |
|---|---|--|--|
| THIS DRAWING IS A CONTROLLED DOCUMENT FOR TYCO ELECTRONICS CORPORATION. IT IS SUBJECT TO CHANGE AND THE CONTROLLING ENGINEERING ORGANIZATION SHOULD BE CONTACTED FOR THE LATEST REVISION. | | DWN R. GRZYBOWSKI 15 JUN 06 | Tyco Electronics Harrisburg, PA 17105-3608 |
| DIMENSIONS: INCHES | | CHK S. FLICKINGER 15 JUN 06 | |
| TOLERANCES UNLESS OTHERWISE SPECIFIED: | | APVD S. FLICKINGER 15 JUN 06 | NAME CONNECTOR ASSEMBLY SOCKET 75 AMP, LOWER DRAWER |
| 0 PLC ± 1 PLC ± 2 PLC ±.02 3 PLC ±.010 4 PLC ± ANGLES ±.5 FINISH | | PRODUCT SPEC - APPLICATION SPEC - | SIZE A2 |
| MATERIAL | - | WEIGHT - | CAGE CODE 00779 |
| CUSTOMER DRAWING | | DRAWING NO. 1926160 | RESTRICTED TO - |
| | | SCALE 3:1 | SHEET 1 OF 2 REV A |

ELCON LOWER DRAWER

THIS DRAWING IS UNPUBLISHED. RELEASED FOR PUBLICATION 20
 © COPYRIGHT 20 BY TYCO ELECTRONICS CORPORATION. ALL RIGHTS RESERVED.

| LOC | DIST | REVISIONS | | | |
|-----|------|-------------|-------------|-----|------|
| P | LTR | DESCRIPTION | DATE | DWN | APVD |
| GP | 00 | - | SEE SHEET 1 | - | - |
| | | | | | |
| | | | | | |



SUGGESTED PANEL CUT-OUT
 VIEW FROM CONNECTOR MOUNTING SIDE

- PART NUMBER CHANGES AND OR DESIGN CHANGES AFFECTING THE INTERCHANGEABILITY REQUIRE PRIOR TYCO APPROVAL AND AUTHORIZATION BY REVISION TO THIS DRAWING.
- MATERIAL:
 INSULATOR: THERMOPLASTIC, GLASS REINFORCED, UL 94V-0
 FLAMMABILITY RATED, COLOR: BLACK
 CONTACT: COPPER ALLOY
 CROWN BAND: BERYLLIUM COPPER
 RETENTION CLIP: BERYLLIUM COPPER OR STAINLESS STEEL
 SHOULDER SCREWS: STAINLESS STEEL
- FINISH:
 CONTACTS SIZE #12 : SILVER .000200 MIN THK.
 OVER NICKEL .00040 MIN THK.
 CONTACTS SIZE #20 : GOLD .000010 MIN THK.
 OVER NICKEL .00040 MIN THK.
 CROWN BAND: GOLD .000030 MIN THK.
 OVER NICKEL .00040 MIN THK.

△4 ITEMS PROVIDED TO THIS SPECIFICATION TO BE PERMANENTLY IDENTIFIED PER THE FOLLOWING IDENTIFIER:

YEAR WEEK

TYCO PART NUMBER DATE CODE (e.g. 0216)

XXXXXXXX-X XXXX

△5 CRIMP CONTACTS AND SHOULDER SCREWS (ITEMS B THRU D) SHALL BE PACKAGED SEPARATELY AND PLACED IN THE BOX WITH CONN. ASSEMBLY.

| | | | | |
|----|----|-------------|------------------------------|------|
| △5 | 2 | 1650589-1 | SHOULDER SCREW, M4 X 0.7 | D |
| △5 | 4 | 6648318-1 | CONTACT, SOCKET, #12, CRIMP | C |
| △5 | 7 | 1648325-1 | CONTACT, SOCKET, #20, CRIMP | B |
| | 1 | 1648206-1 | HOUSING, SOCKET, FLOAT MOUNT | A |
| | -1 | PART NUMBER | DESCRIPTION | ITEM |

| | | | |
|---|-----------|--|---|
| <small>THIS DRAWING IS A CONTROLLED DOCUMENT FOR TYCO ELECTRONICS CORPORATION IT IS SUBJECT TO CHANGE AND THE CONTROLLING ENGINEERING ORGANIZATION SHOULD BE CONTACTED FOR THE LATEST REVISION.</small> | | DWN R. GRZYBOWSKI 15 JUN 06 CHK S. FLICKINGER 15 JUN 06 APVD S. FLICKINGER 15 JUN 06 | tyco Electronics Tyco Electronics Harrisburg, PA 17105-3608 |
| DIMENSIONS: INCHES | | TOLERANCES UNLESS OTHERWISE SPECIFIED: 0 PLC ± 1 PLC ± 2 PLC ±.02 3 PLC ±.010 4 PLC ± ANGLES ±.5 FINISH | NAME: CONNECTOR ASSEMBLY SOCKET 75 AMP, LOWER DRAWER SIZE: A2 CAGE CODE: 00779 DRAWING NO: 1926160 RESTRICTED TO: |
| MATERIAL: - | FINISH: - | WEIGHT: - | CUSTOMER DRAWING SCALE: 3:1 SHEET 2 OF 2 REV A |

ELCON LOWER DRAWER

单击下面可查看定价，库存，交付和生命周期等信息

[>>TE Connectivity\(泰科\)](#)