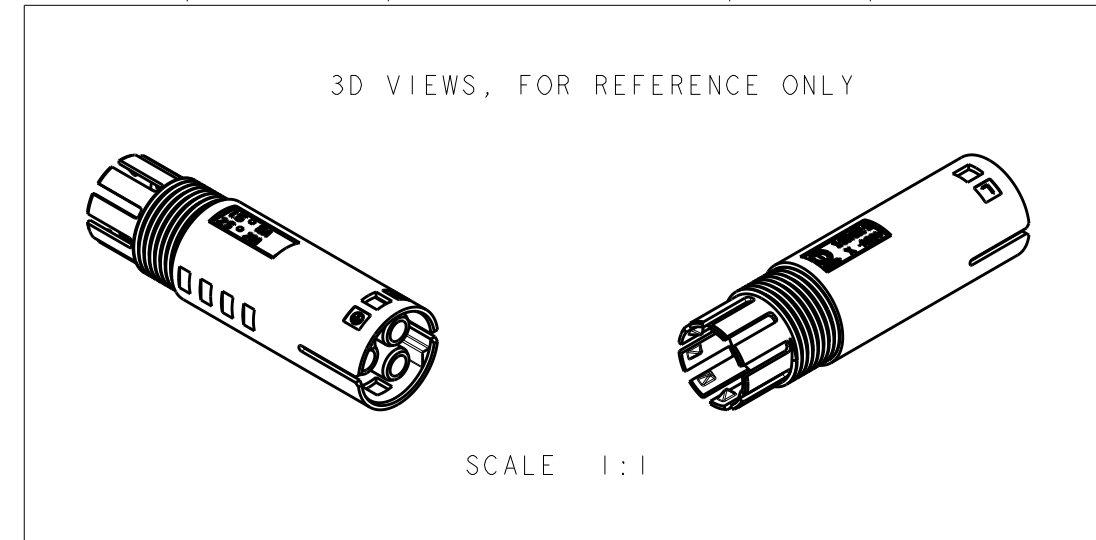
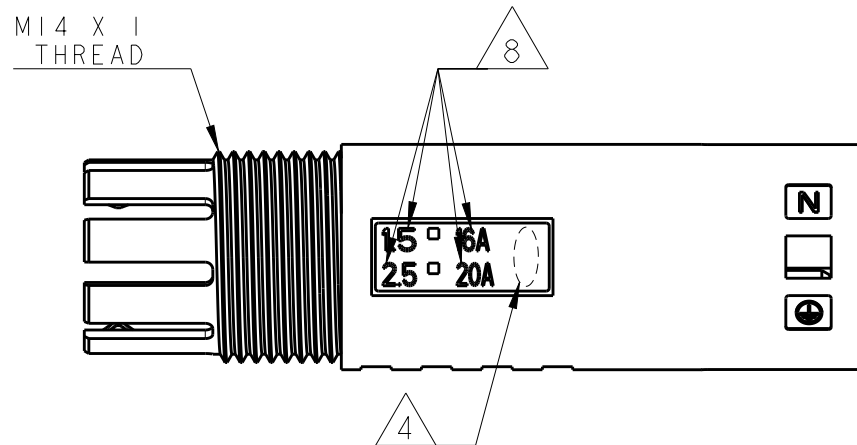
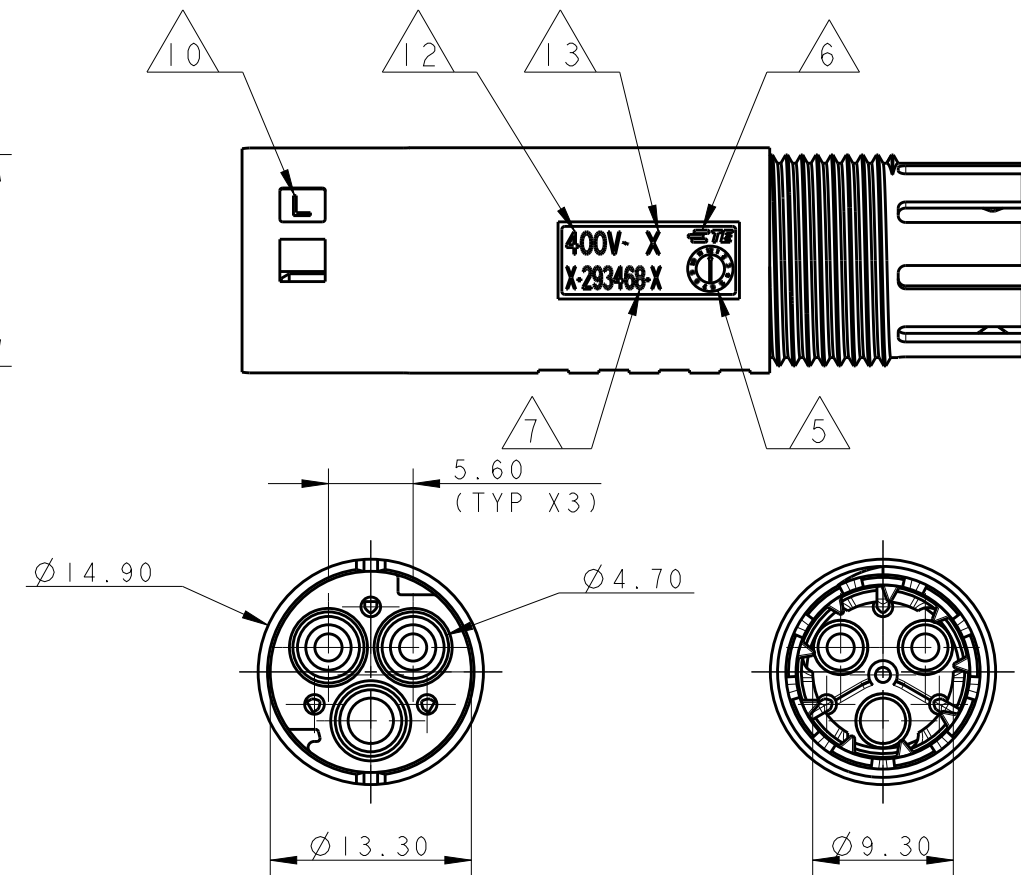
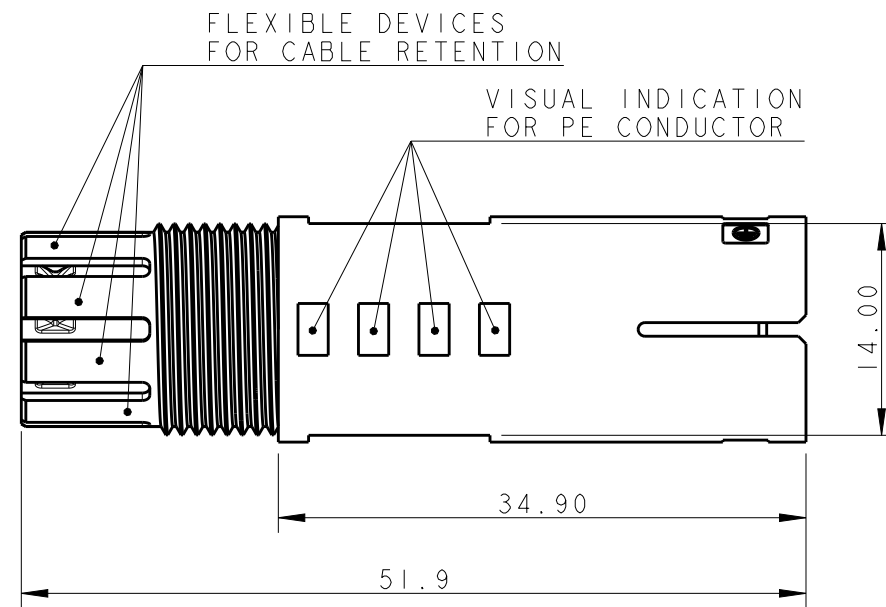



THIS DRAWING IS UNPUBLISHED. RELEASED FOR PUBLICATION 2010
 © COPYRIGHT 2010 Tyco Electronics AMP GmbH ALL RIGHTS RESERVED.

LOC	DIST	REVISIONS			
P	LTR	DESCRIPTION	DATE	DWN	APVD
	G1	REVISED MARKINGS	01NOV2012	MZ	JC
	G2	PARTS -2, -3, 1-2, 1-3 RELEASED FOR PRODUCTION	26JUN2013	KR	JC
	G3	REVISED PART NUMBERS	21JUL2017	SK	ZM
	G4	ECR-18-006945	20SEP2018	SR	MZ

NOTES:

- 1 MATERIAL: POLYAMIDE GLASS FILLED COLOUR NATURAL
- 2 MATERIAL: POLYAMIDE GLASS FILLED COLOUR BLACK
- 3) PACKAGING: SEE TE PACKAGING SPECIFICATION 107-20294
- 4 AREA FOR AGENCY APPROVAL LOGO
- 5 DATE CODE
- 6 TE LOGO
- 7 TE PART NUMBER
- 8 CONDUCTOR SIZE AND CURRENT RATING
- 9 N CODE
- 10 L CODE
- 11 PE CODE
- 12 RATED VOLTAGE
- 13 CAVITY MOULD NUMBER
- 14 PART NOT YET TOOLED AND RELEASED FOR PRODUCTION
- 15) FOR CABLE TYPE AND CABLE RANGE REFER TO CUSTOMER DRAWING 293607



THIS DRAWING IS A CONTROLLED DOCUMENT.		DWN M. ZUCCA 21OCT2009	 TE Connectivity	
DIMENSIONS: mm		CHK M. ZUCCA 21OCT2009		
TOLERANCES UNLESS OTHERWISE SPECIFIED:		APVD G. TURCO 21OCT2009	NAME SOCKET HOUSING FREE HANGING NECTOR* M-LINE 3 POSITIONS UNSEALED VERSION	
0 PLC ±-		PRODUCT SPEC 108-20304	SIZE A300779	
1 PLC ±0.3		APPLICATION SPEC 114-20152	CAGE CODE C-293468	
2 PLC ±0.20		WEIGHT ~4.6 g	DRAWING NO C-293468	
3 PLC ±-		MATERIAL SEE NOTES	RESTRICTED TO -	
4 PLC ±-			SCALE 2:1 SHEET 1 OF 2 REV G4	
ANGLES ±3°		Customer Drawing		
FINISH -				

THIS DRAWING IS UNPUBLISHED.

RELEASED FOR PUBLICATION

2010

© COPYRIGHT 2010

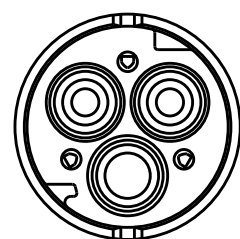
Tyco Electronics AMP GmbH

ALL RIGHTS RESERVED.

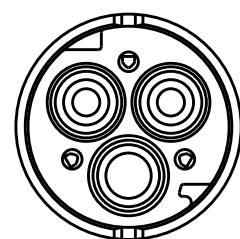
LOC	DIST	REVISIONS					
		P	LTR	DESCRIPTION	DATE	DWN	APVD
1	-			SEE SHEET 1	-	-	-

POLARIZATION TYPES

TYPE "A"



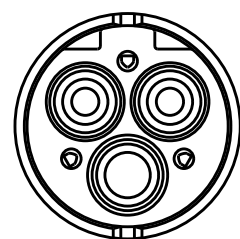
TYPE "B"



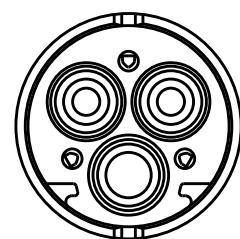
P/Ns: 0-293468-1,
1-293468-1

P/Ns: 0-293468-2,
1-293468-2

TYPE "C"



TYPE "D"



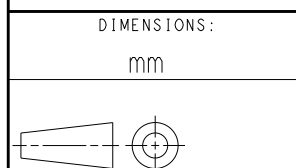
P/Ns: 0-293468-3,
1-293468-3

P/Ns: ~~0-293468-4,~~
~~1-293468-4~~

TABLE 1

OBSOLETE		D	BLACK	SOCKET HOUSING FREE HANGING VERSION NECTOR* M-LINE	F	1-293468-4
		C	BLACK	SOCKET HOUSING FREE HANGING VERSION NECTOR* M-LINE	G	1-293468-3
		B	BLACK	SOCKET HOUSING FREE HANGING VERSION NECTOR* M-LINE	G	1-293468-2
		A	BLACK	SOCKET HOUSING FREE HANGING VERSION NECTOR* M-LINE	G	1-293468-1
OBSOLETE		D	NATURAL	SOCKET HOUSING FREE HANGING VERSION NECTOR* M-LINE	F	0-293468-4
		C	NATURAL	SOCKET HOUSING FREE HANGING VERSION NECTOR* M-LINE	G	0-293468-3
		B	NATURAL	SOCKET HOUSING FREE HANGING VERSION NECTOR* M-LINE	G	0-293468-2
		A	NATURAL	SOCKET HOUSING FREE HANGING VERSION NECTOR* M-LINE	G	0-293468-1
NOTE		POL. KEYING	COLOUR	DESCRIPTION	REV.	PART NUMBER

THIS DRAWING IS A CONTROLLED DOCUMENT.



MATERIAL SEE NOTES

DIMENSIONS:	TOLERANCES UNLESS OTHERWISE SPECIFIED:
mm	
0 PLC	±0.3
1 PLC	±0.20
2 PLC	±0.20
3 PLC	±0.20
4 PLC	±0.20
ANGLES	±3°
FINISH	-

DWN	M. ZUCCA	21OCT2009
CHK	M. ZUCCA	21OCT2009
APVD	G. TURCO	21OCT2009
PRODUCT SPEC	108-20304	
APPLICATION SPEC	114-20152	
WEIGHT	~4.6 g	

STE TE Connectivity

NAME: SOCKET HOUSING FREE HANGING NECTOR* M-LINE 3 POSITIONS UNSEALED VERSION

SIZE	CAGE CODE	DRAWING NO	RESTRICTED TO
A3	00779	G-293468	-

单击下面可查看定价，库存，交付和生命周期等信息

[>>TE Connectivity\(泰科\)](#)