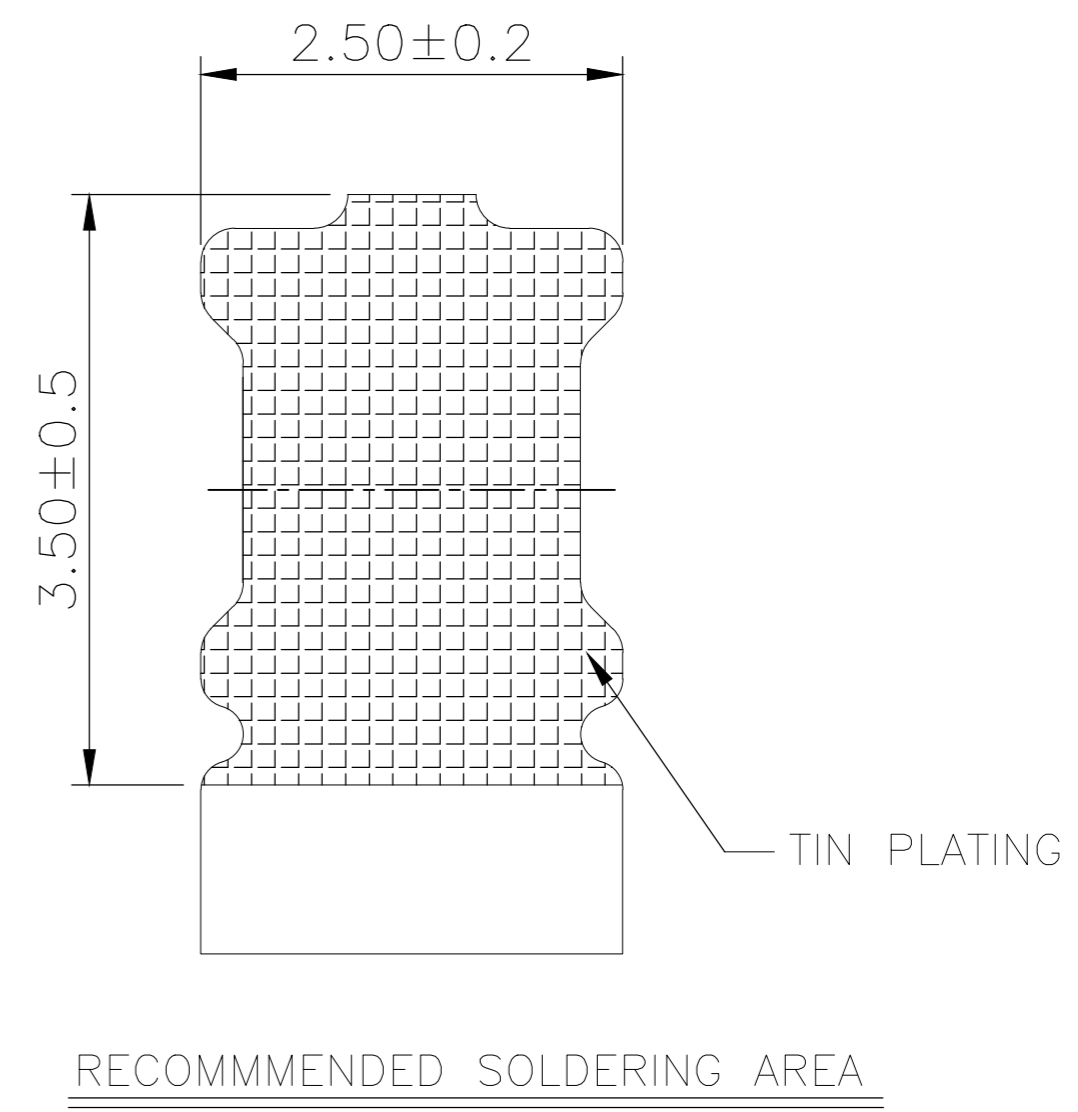
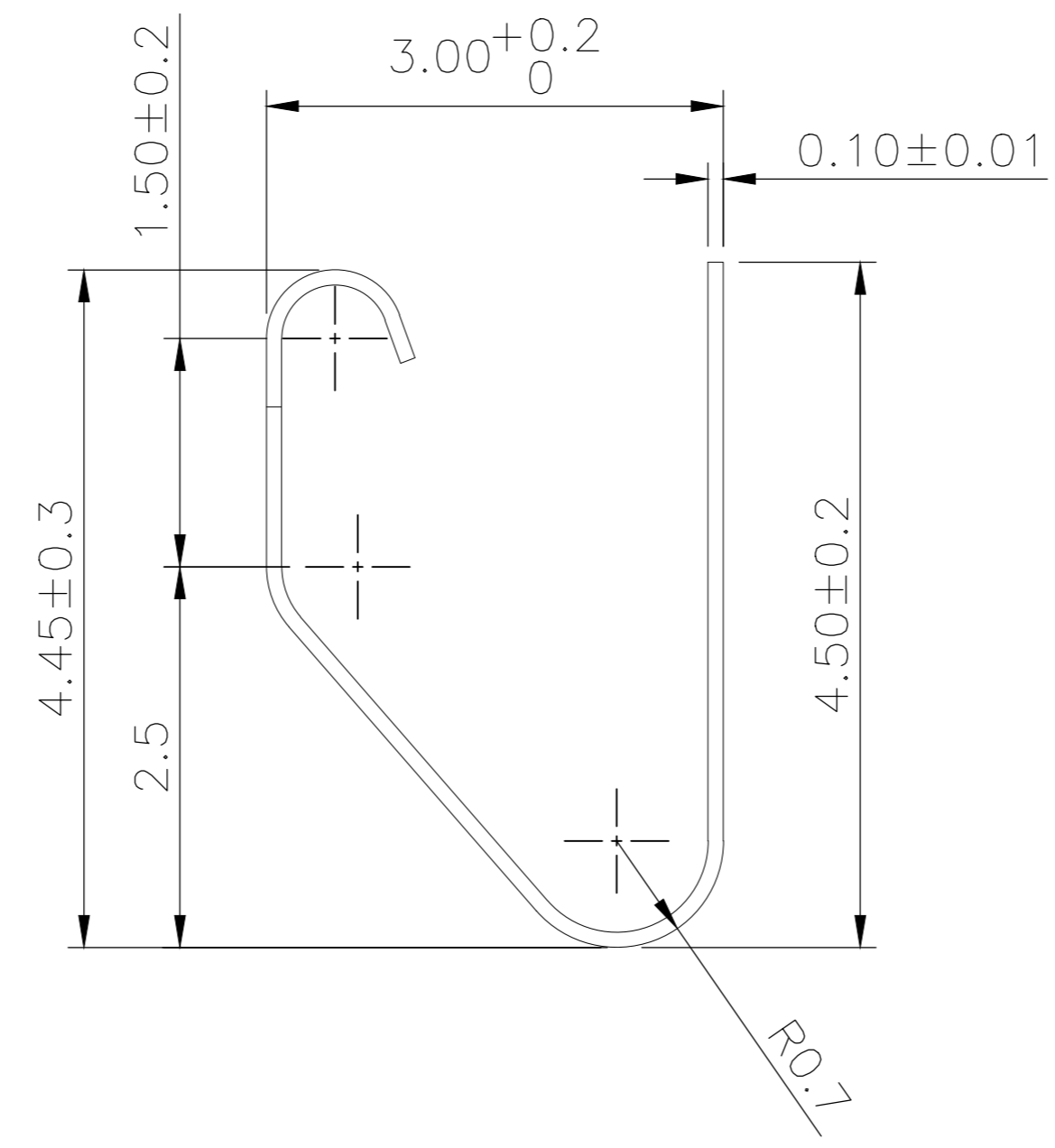
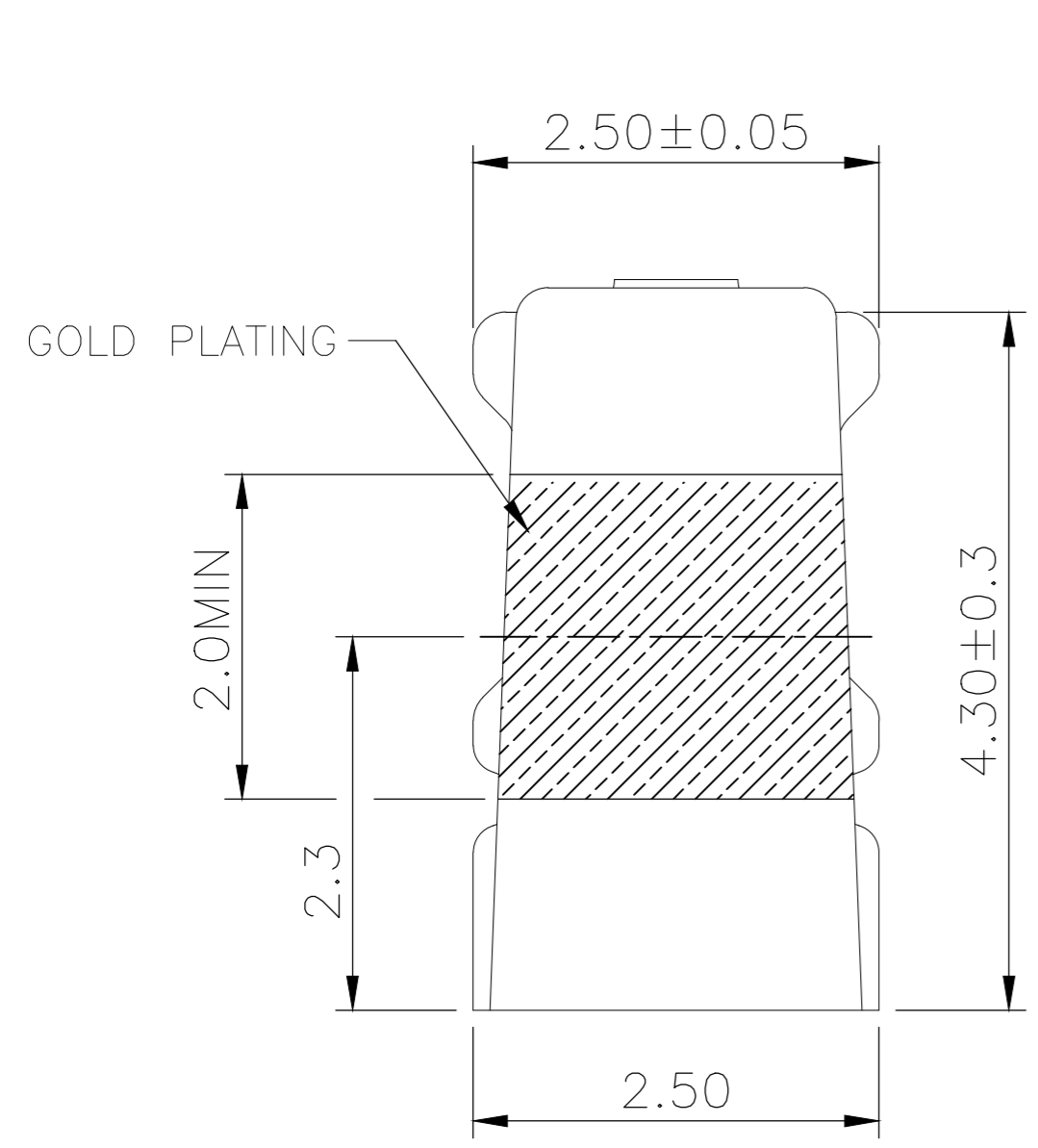


THIS DRAWING IS UNPUBLISHED. RELEASED FOR PUBLICATION
 © COPYRIGHT 2011 BY TYCO ELECTRONICS CORPORATION. ALL RIGHTS RESERVED.

LOC		DIST		REVISIONS			
P	LTR	DESCRIPTION		DATE	DWN	APVD	
	B1	RELEASED ECR-16-010532		21JAN2016	J.J	W.H	

- NOTES:
 1. MATERIAL: TI-CU, T=0.10±0.01
 2. FINISH:
 CONTACT: GOLD PLATING ON THE CONTACT (SEE TABLE)
 100u' MIN TIN PLATING ON THE SOLDERING AREA
 NICKEL UNDER PLATING OVERALL (SEE TABLE)



50u"	10u"	1734300-3
30u"	10u"	1734300-2
30u"	2u"	1734300-1
Ni (Min.)	Au (Min.)	PART NUMBER

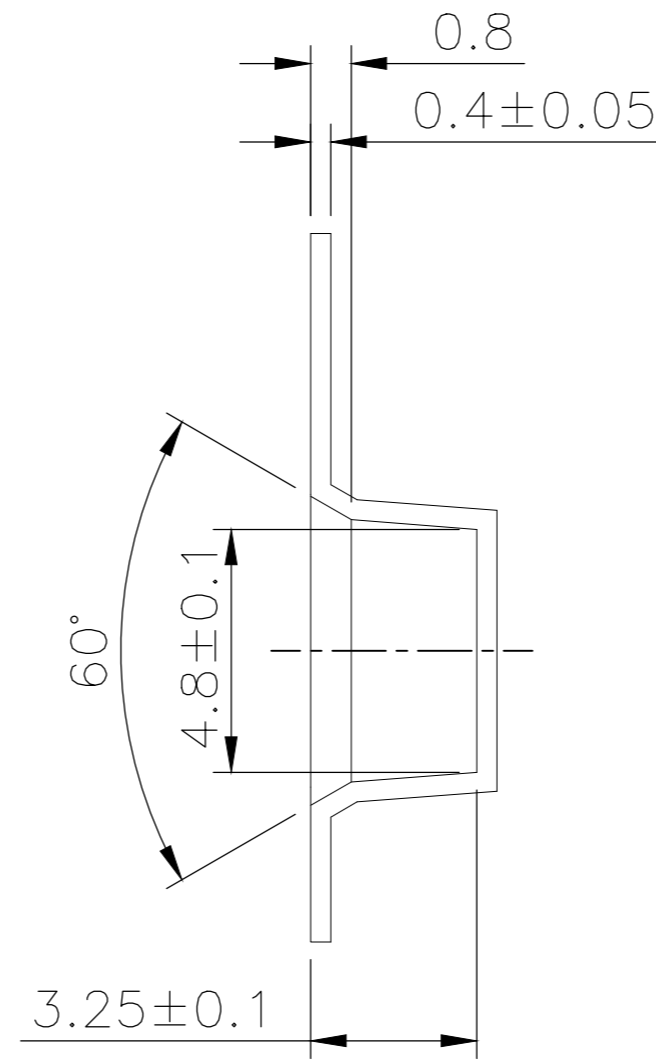
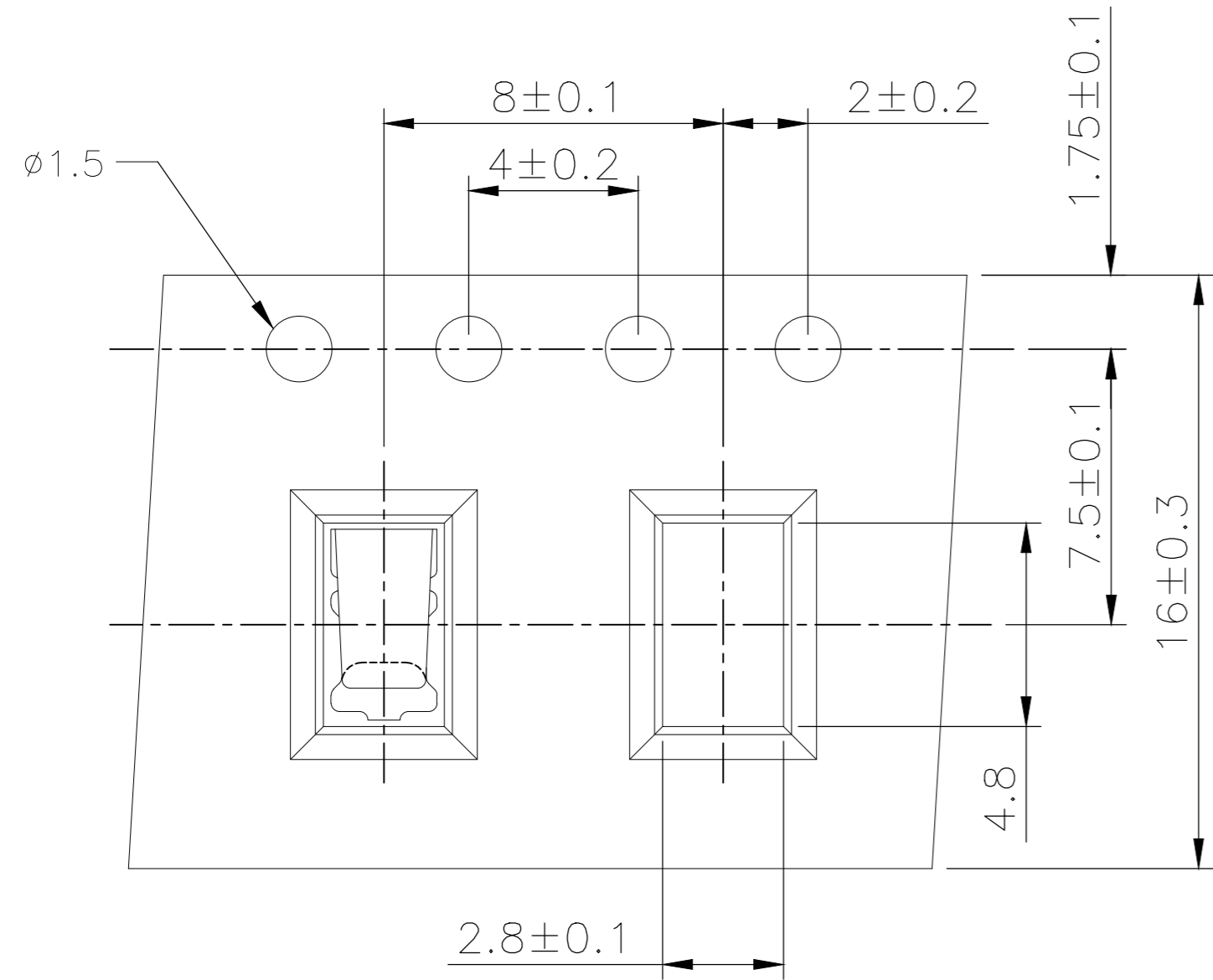
THIS DRAWING IS A CONTROLLED DOCUMENT.		DWN Q. LU 26DEC2004														
DIMENSIONS: mm		CHK S. HSU 26DEC2004														
TOLERANCES UNLESS OTHERWISE SPECIFIED:		APVD W.J. KE 26DEC2004	NAME SHIELD FINGER 3025-Z1-T													
<table border="1"> <tr><td>0 PLC</td><td>± -</td></tr> <tr><td>1 PLC</td><td>± 0.3</td></tr> <tr><td>2 PLC</td><td>± 0.15</td></tr> <tr><td>3 PLC</td><td>± 0.03</td></tr> <tr><td>4 PLC</td><td>± -</td></tr> <tr><td>ANGLES</td><td>± 3°</td></tr> </table>		0 PLC	± -	1 PLC	± 0.3	2 PLC	± 0.15	3 PLC	± 0.03	4 PLC	± -	ANGLES	± 3°	PRODUCT SPEC 108-57507	SIZE A3	
0 PLC	± -															
1 PLC	± 0.3															
2 PLC	± 0.15															
3 PLC	± 0.03															
4 PLC	± -															
ANGLES	± 3°															
MATERIAL SEE NOTE		QUALIFICATION TEST REPORT 501-57581	CAGE CODE 00779	DRAWING NO C=1734300												
FINISH SEE NOTE		WEIGHT 0.021 GRAMS	RESTRICTED TO	SCALE -												
		CUSTOMER DRAWING	SHEET 1 OF 2	REV B1												

THIS DRAWING IS UNPUBLISHED.

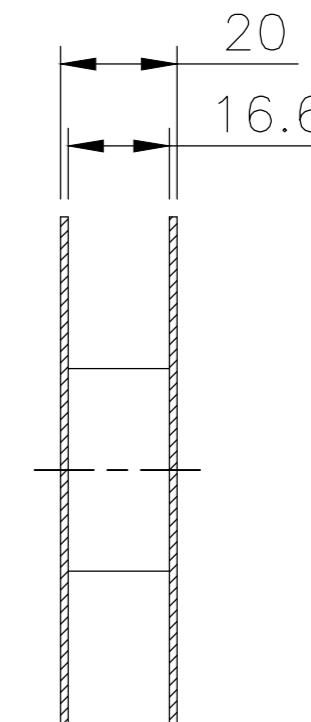
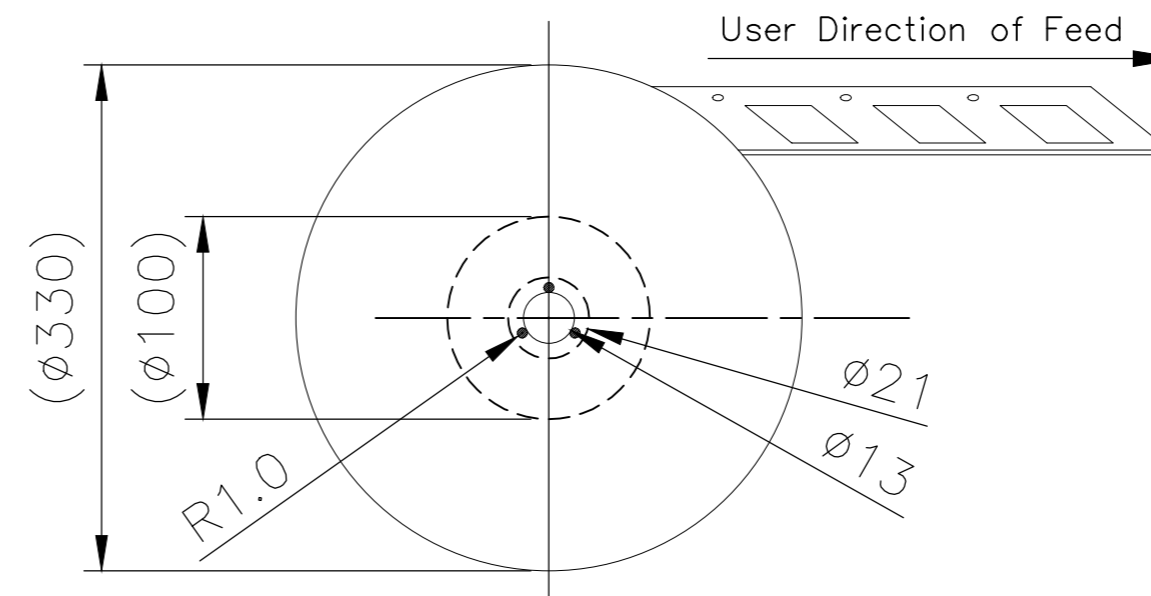
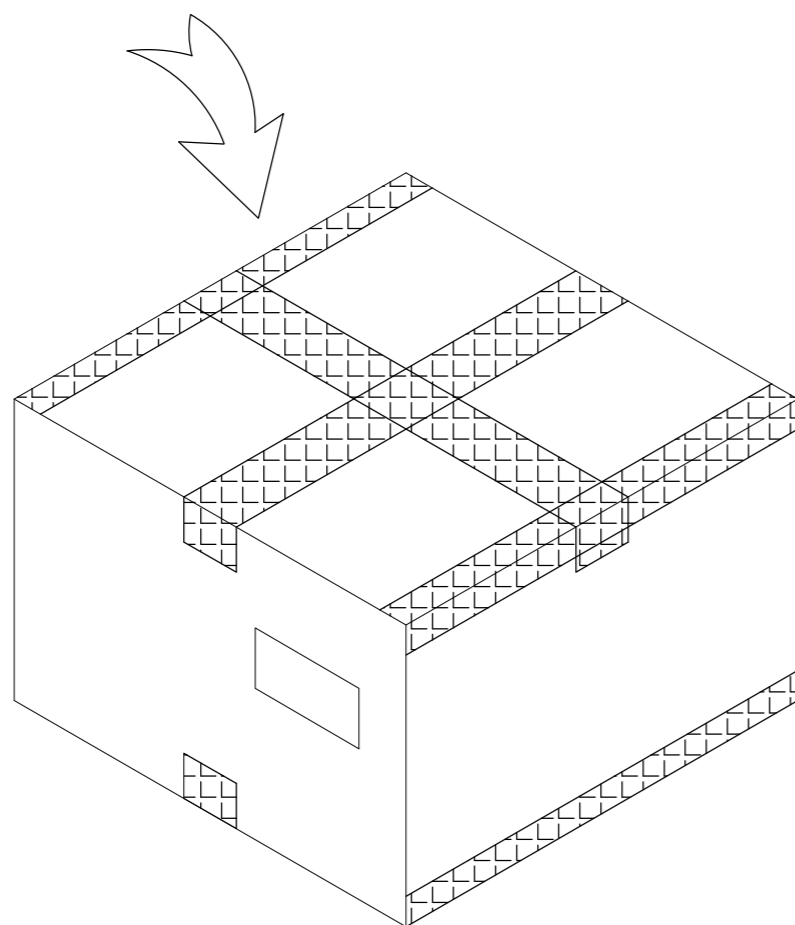
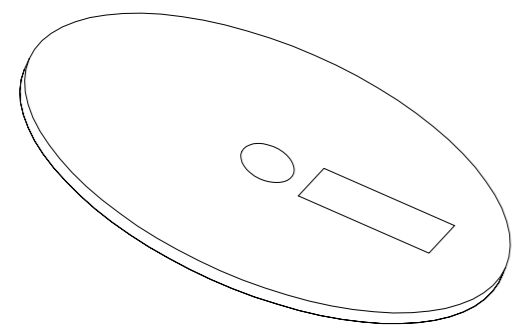
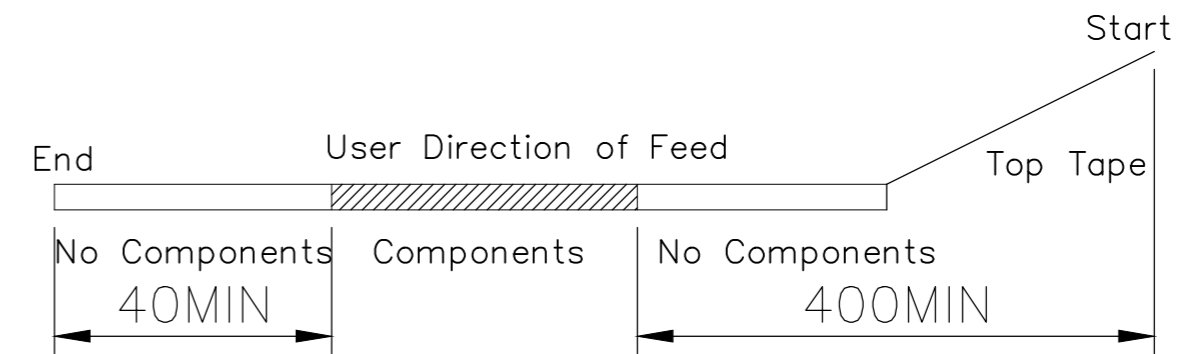
RELEASED FOR PUBLICATION AUG 2006

© COPYRIGHT BY TYCO ELECTRONICS CORPORATION. ALL RIGHTS RESERVED.

LOC	DIST	REVISIONS					
DW		P	LTR	DESCRIPTION	DATE	DWN	APVD
				SEE SHEET 1.			



- NOTES:
- QUANTITY:
2500 PCS/REEL
10 REEL/SHIPPING BOX MAX.
 - DIMENSION:
BOX DIM: 340mm*340mm*224mm
 - MATERIAL:
CARRIER TAPE: ACRYLIC FILM
TOP TAPE: PET FILM
REEL: PLASTIC
 - WEIGHT:
NET WEIGHT: 3.3kg
GROSS WEIGHT: 4.8kg



THIS DRAWING IS A CONTROLLED DOCUMENT		DWN	TE Connectivity	
DIMENSIONS: MM		CHK	NAME	
TOLERANCES UNLESS OTHERWISE SPECIFIED:		APVD	SHIELD FINGER 3025-Z1-T	
0 PLC ± -	1 PLC ± 0.12	PRODUCT SPEC	SIZE	CAGE CODE
2 PLC ± -	3 PLC ± -	APPLICATION SPEC	A3	00779
4 PLC ± -	ANGLES ± -	WEIGHT	DRAWING NO C=1734300	
MATERIAL	FINISH	CUSTOMER DRAWING	RESTRICTED TO	
		SCALE	SHEET 2 OF 2	REV B1

单击下面可查看定价，库存，交付和生命周期等信息

[>>TE Connectivity\(泰科\)](#)