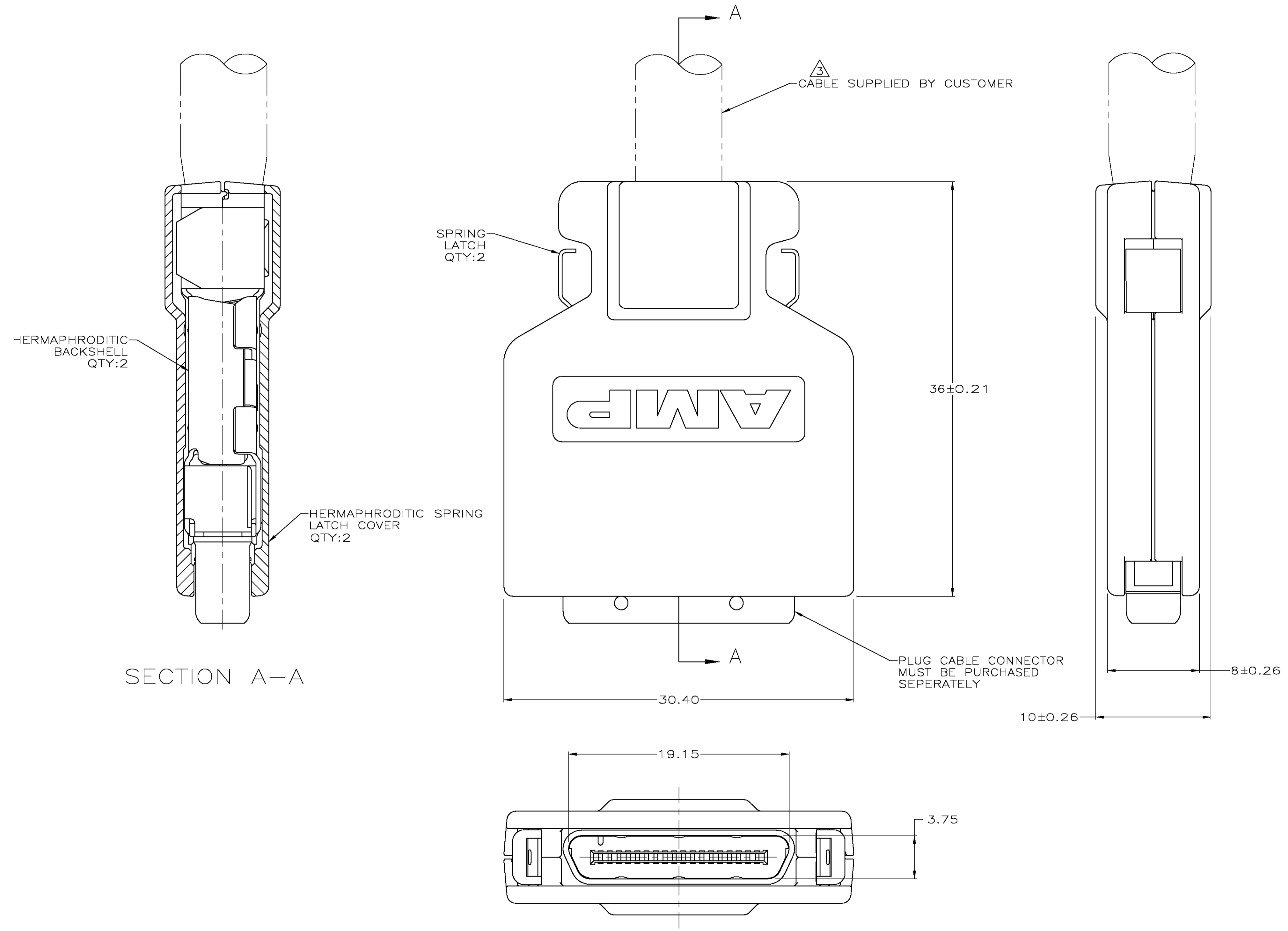


| LOC | | DIST | | REVISONS | | | |
|-----|----|-----------------------------|------|----------|------|----|--|
| P | LR | DESCRIPTION | DATE | DRN | APVD | | |
| C | | REDRAWN PER EC 0513-0148-04 | | OBMAR05 | TS | JG | |



- △ MATERIAL:
 HERMAPHRODITIC BACKSHELL- STEEL.
 SPRING LATCH- STAINLESS STEEL.
 HERMAPHRODITIC SPRING LATCH COVER- UL 94V-0 RATED
 ABS MOLDING COMPOUND, COLOR-BLACK.
- △ PLATING:
 HERMAPHRODITIC BACKSHELL- 5µm MIN BRIGHT NICKEL OVER
 2.5µm MIN COPPER.
- △ RECOMMENDED WIRE: 30 AWG WITH A 0.56-0.64 INSULATION DIAMETER,
 WIRE MUST BE APPROVED BY AMP ENGINEERING.

| | | |
|----------|----------------|-------------|
| OBSELETE | INDIVIDUAL KIT | 787231-2 |
| | BULK, 100 KITS | 787231-1 |
| | PACKAGING | PART NUMBER |

THIS DRAWING IS A CONTROLLED DOCUMENT.

| | | | | |
|---------------------|---------|----------------------------|--|----------------------|
| DRN T. SHUEY | OBMAR05 | tyco Electronics | Tyco Electronics Corporation Harrisburg, Pa 17105-3608 | |
| CHK J. GERACE | OBMAR05 | | NAME | |
| APVD W. WALMSLEY | OBMAR05 | PRODUCT SPEC | BACKSHELL KIT, 36 POSITION, SQUEEZE TO RELEASE, CABLE CONNECTOR, 0.8mm CHAMP | |
| | | APPLICATION SPEC | SIZE | CAGE CODE DRAWING NO |
| | | | A1 | 00779 C=787231 |
| MATERIAL | FINISH | WEIGHT | CUSTOMER DRAWING | RESTRICTED TO |
| | | | SCALE 5:1 | SHEET 1 OF 1 REV C |

单击下面可查看定价，库存，交付和生命周期等信息

[>>TE Connectivity\(泰科\)](#)