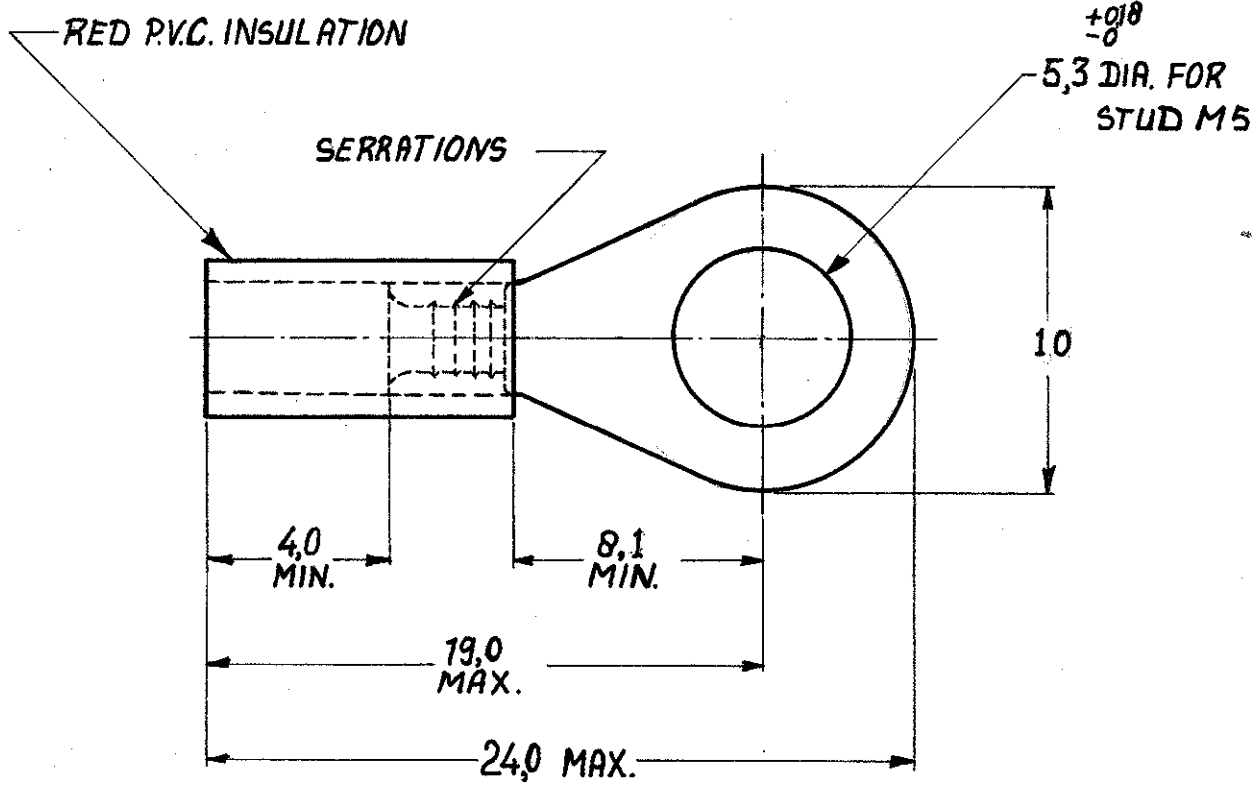


NUMBER C-165405-E



TONGUE MATERIAL THICKNESS : 0,8

CUSTOMER COPY FOR REFERENCE ONLY

©1970 BY AMP-HOLLAND N.V. ALL RIGHTS RESERVED A-MP PRODUCTS COVERED BY PATENTS AND/OR PATENTS PENDING.



AMP-HOLLAND N.V.
's-HERTOGENBOSCH
HOLLAND

WIRE-RANGE	INSUL.-RANGE	TYPE
05-1mm ²	3,1 DIA. MAX.	DIN PLASTI-GRIP

SCALE	LOC	SIZE	NO	REV
4:1	H	A	C-165405-E	E

NAME INCI II ATEN DINGTONGUE forstud M5

2-165405-1	165405 TAPE MOUNTED		
165405	COPPER	TIN	
ORDER NO.	MATERIAL	PLATING	
DR G. Linder	DATE 30/10-70	DE	DATE
CHK	DATE	APP [Signature]	DATE 16/11-1970

REV C 30-8-85 DIMENSIONS IN M.M. DO NOT SCALE PRINT

单击下面可查看定价，库存，交付和生命周期等信息

[>>TE Connectivity\(泰科\)](#)