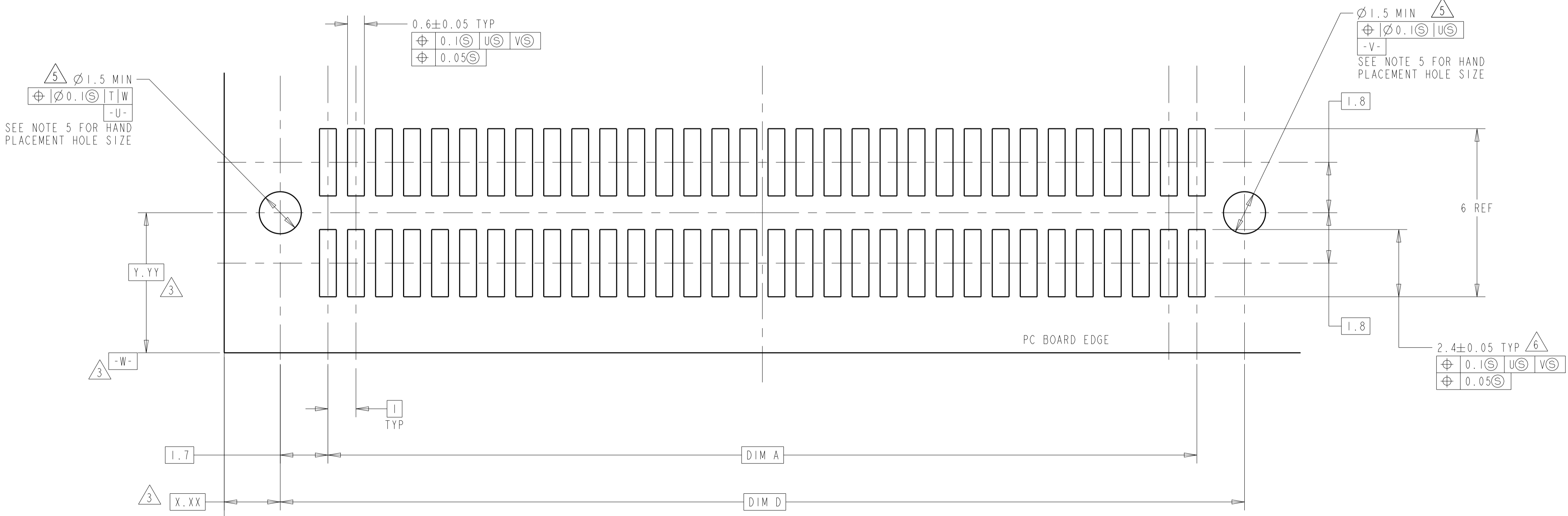
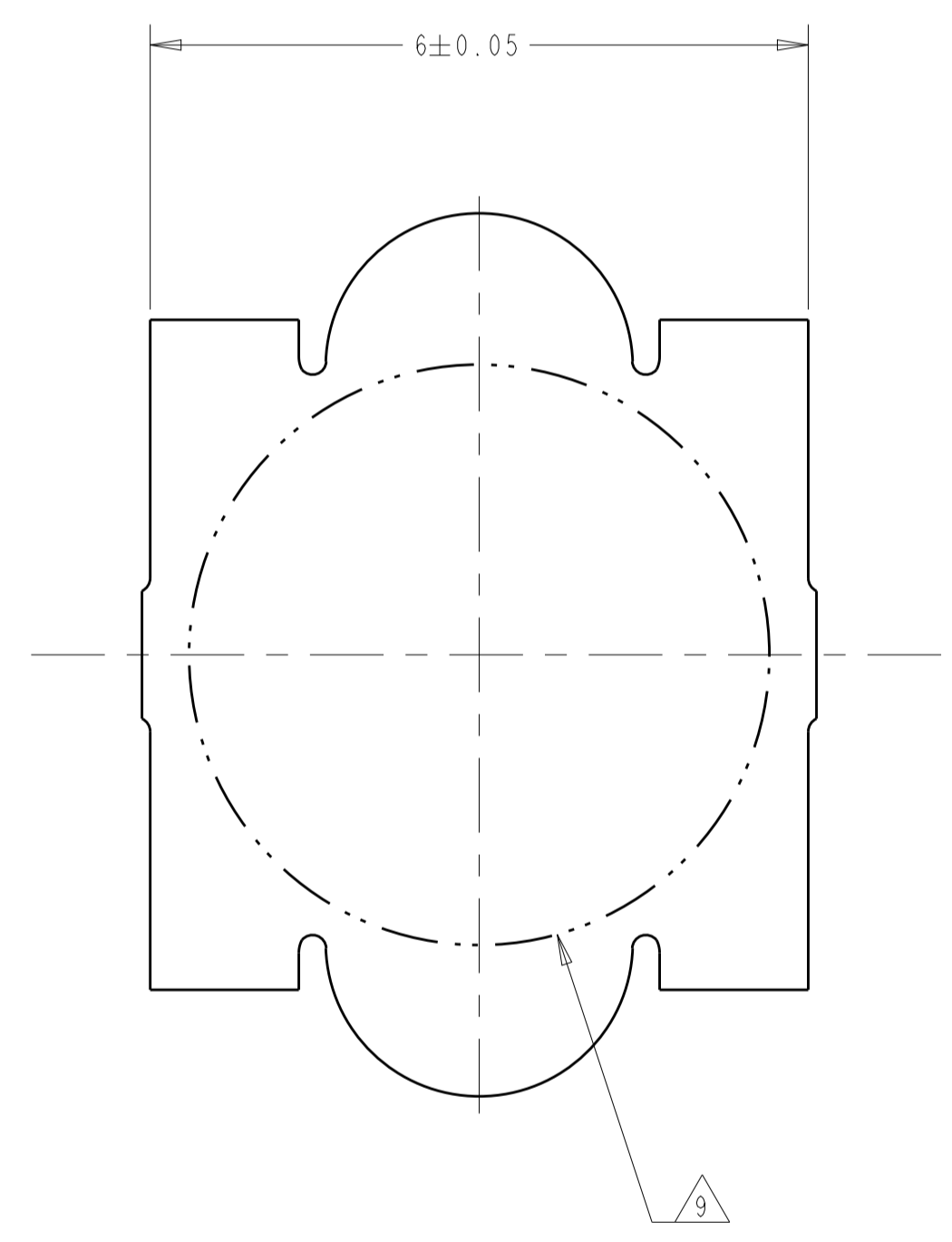
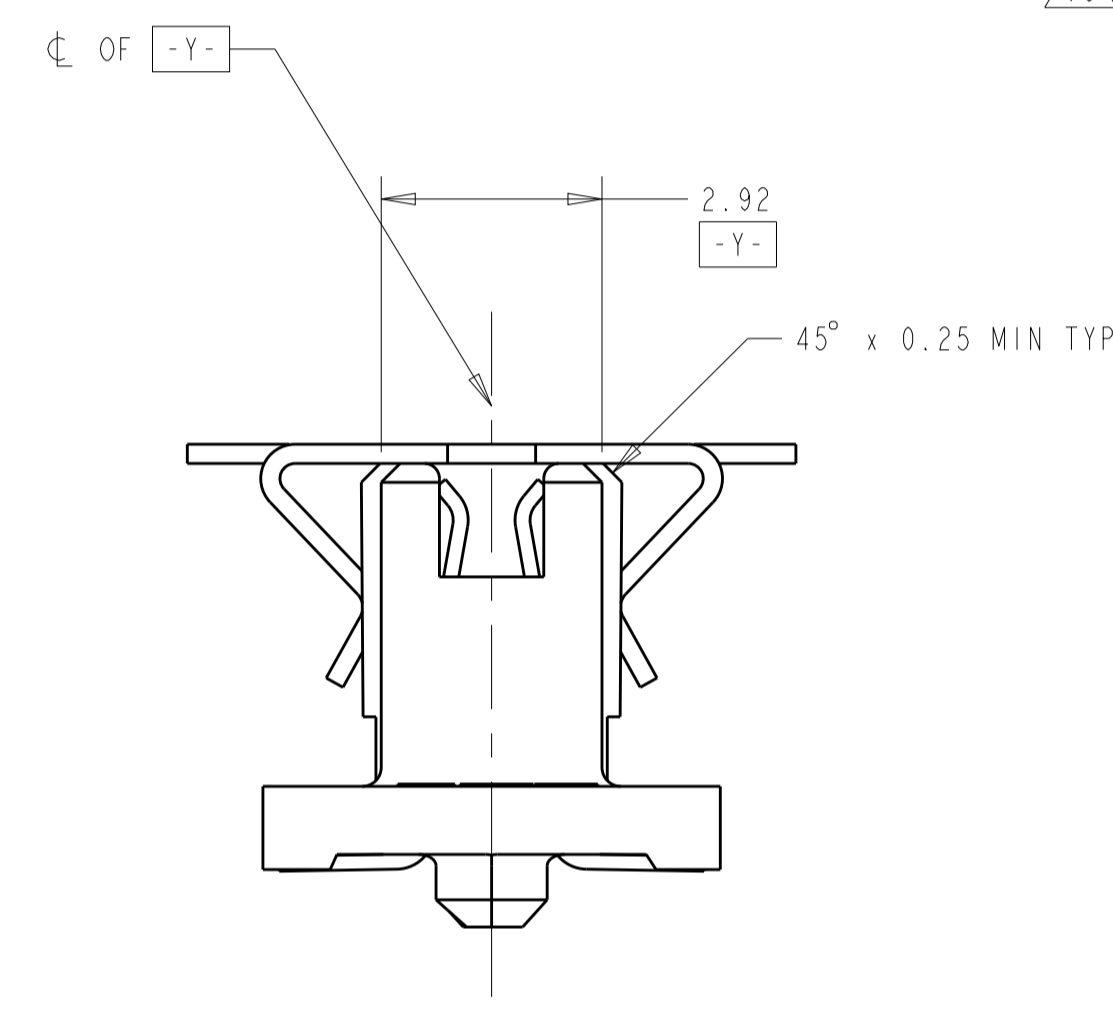
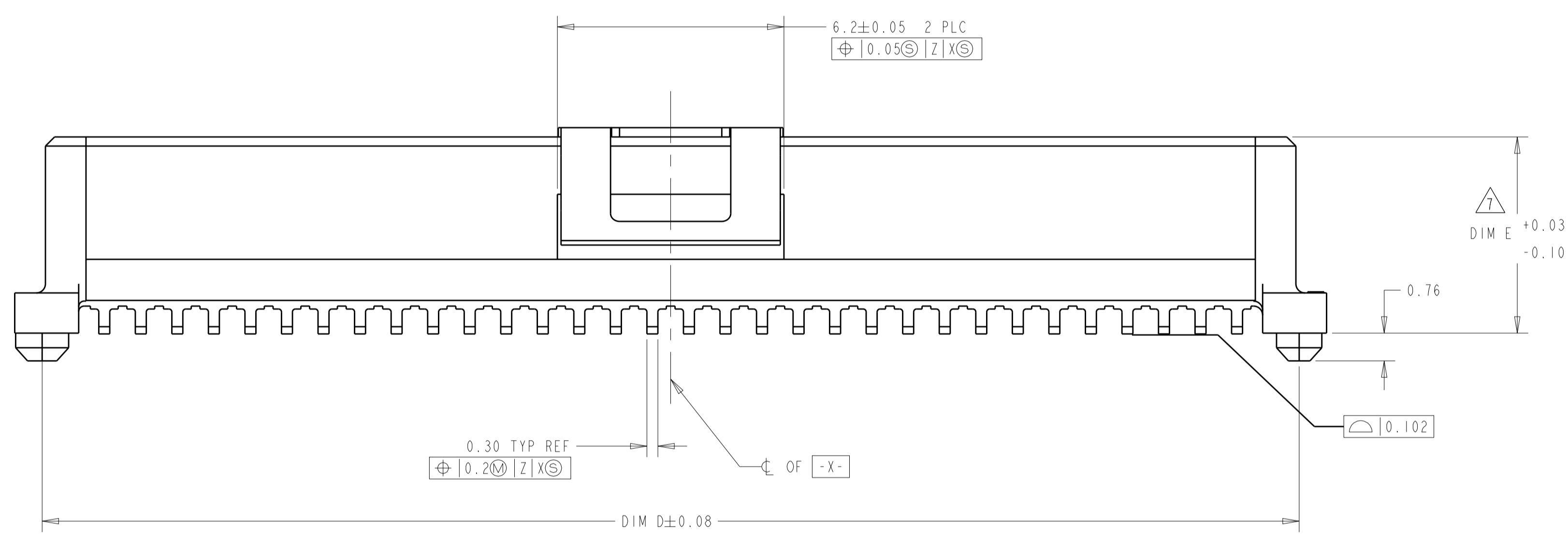
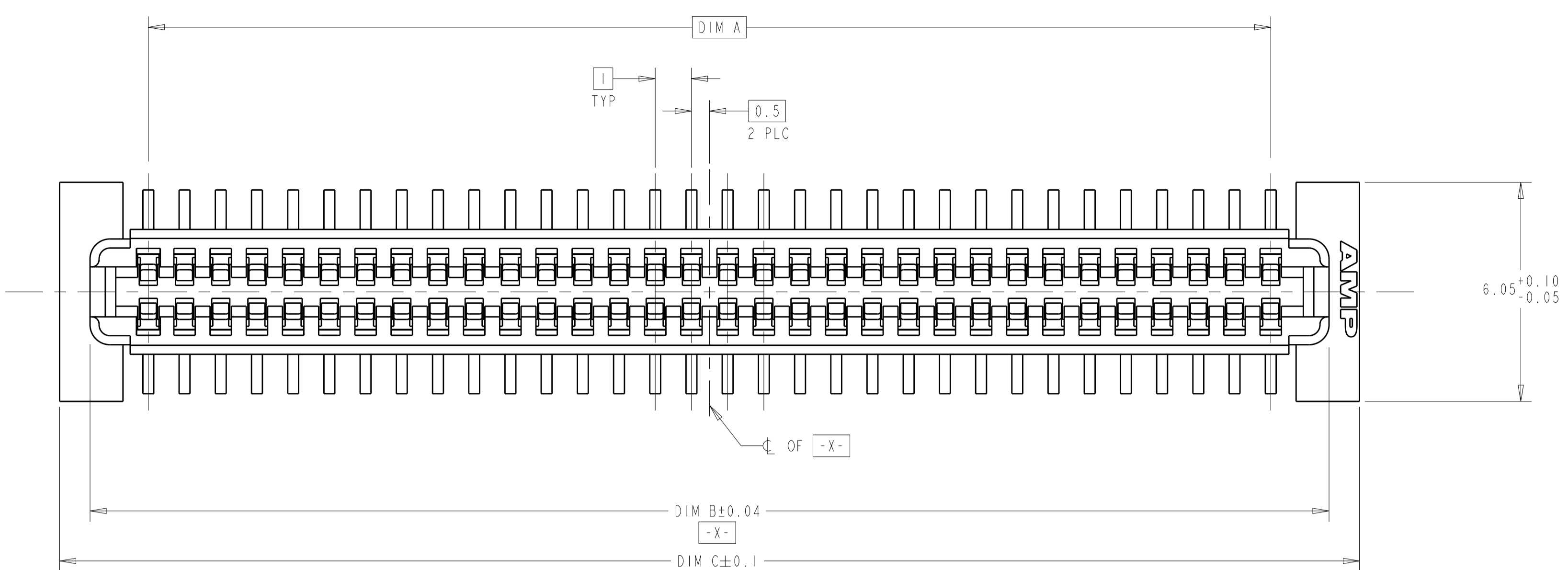


| REVISIONS | | | | |
|-----------|------|-----------------------|-----------|-------------|
| P. | LTN. | DESCRIPTION | DATE | APP'D. |
| B | | REV PER ECR-14-016951 | 11FEB2015 | J. T. W. H. |



RECOMMENDED PC BOARD LAYOUT

- 1. HOUSING MATERIAL: POLYPHTHALAMIDE, COLOR: BLACK. CONTACT MATERIAL: PHOSPHOR BRONZE.
- 2. CONTACT FINISH: 0.002 MINIMUM BRIGHT TIN-LEAD (93-7) ON SOLDER AREA. 0.00127 MINIMUM GOLD ON MATING AREA. BOTH OVER 0.00127 MINIMUM NICKEL ON ENTIRE CONTACT.
- 3. DATUM LOCATIONS AND BASIC DIMENSIONS TO BE ESTABLISHED BY THE CUSTOMER. CONSULT AMP ENGINEERING WHEN PLACING MULTIPLE CONNECTORS ON A PC BOARD.
- 4. PACKAGED IN TAPE ON REEL PER EIA-481.
- 5. 1.4 ± 0.05 DIAMETER HOLE WHEN PLACING BY HAND.
- 6. SHORTER SOLDER LANDS MAY BE USED PER EIA 700AAAB, HOWEVER 2.4 LENGTH ASSURES OPTIMUM SOLDER FILLET REGARDLESS OF MANUFACTURER OF CONNECTOR.
- 7. REFERRED TO AS DIM H IN EIA 700AAAB SPECIFICATION.
- 8. VACUUM COVER NOT SHOWN IN SOME VIEWS FOR CLARITY.
- 9. 5.5 MIN DIAMETER TARGET AREA FOR VACUUM PICK-UP.
- 10. SEE CATALOG FOR OTHER MATING CONNECTOR OPTIONS.

| FINISH | DIM E | DIM D | DIM C | DIM B | DIM A | MATING CONNECTORS | STACK HEIGHTS | POS | TE PART NUMBER |
|--------|-------|-------|-------|-------|-------|-------------------|---------------|-----|----------------|
| 2 | 10.37 | 34.4 | 35.9 | 34.22 | 31 | 1-146888-1 | 15 | 64 | 2007042-4 |
| 2 | 10.37 | 34.4 | 35.9 | 34.22 | 31 | 1-146898-1 | 14 | 64 | 2007042-4 |
| 2 | 8.37 | 34.4 | 35.9 | 34.22 | 31 | 1-146888-1 | 13 | 64 | 2007042-3 |
| 2 | 7.37 | 34.4 | 35.9 | 34.22 | 31 | 1-146888-1 | 12 | 64 | 2007042-2 |
| 2 | 7.37 | 34.4 | 35.9 | 34.22 | 31 | 1-146898-1 | 11 | 64 | 2007042-2 |
| 2 | 5.37 | 34.4 | 35.9 | 34.22 | 31 | 1-146888-1 | 10 | 64 | 2007042-1 |
| 2 | 5.37 | 34.4 | 35.9 | 34.22 | 31 | 1-146898-1 | 9 | 64 | 2007042-1 |
| 2 | 5.37 | 34.4 | 35.9 | 34.22 | 31 | 1-146897-1 | 8 | 64 | 2007042-1 |

THIS DRAWING IS A CONTROLLED DOCUMENT.

DIMENSIONS: mm

TOLERANCES UNLESS OTHERWISE SPECIFIED:

| | |
|--------|-------|
| 0 PLC | ± |
| 1 PLC | ±0.03 |
| 2 PLC | ±0.03 |
| 3 PLC | ±0.03 |
| 4 PLC | ± |
| ANGLES | ±0°1' |

MATERIAL: SEE TABLE

FINISH: SEE TABLE

THIS DRAWING IS A CONTROLLED DOCUMENT. DWG: B. CARBO 04APR2007, CHK: D. BRATINA 04APR2007, APP'D: D. BRATINA 04APR2007

NAME: RECEPTACLE ASSY, W/ VACUUM COVER, 1.0mm FH (IEEE 1386) CONNECTOR

PRODUCT SPEC: 502-1079

APPLICATION SPEC: 114-25045

WEIGHT: -

SIZE: A1

CAGE CODE: 00779

DRAWING NO: 2007042

RESTRICTED TO: -

CUSTOMER DRAWING

SCALE: 10:1

SHEET: 1 OF 1

REV: B

单击下面可查看定价，库存，交付和生命周期等信息

[>>TE Connectivity\(泰科\)](#)