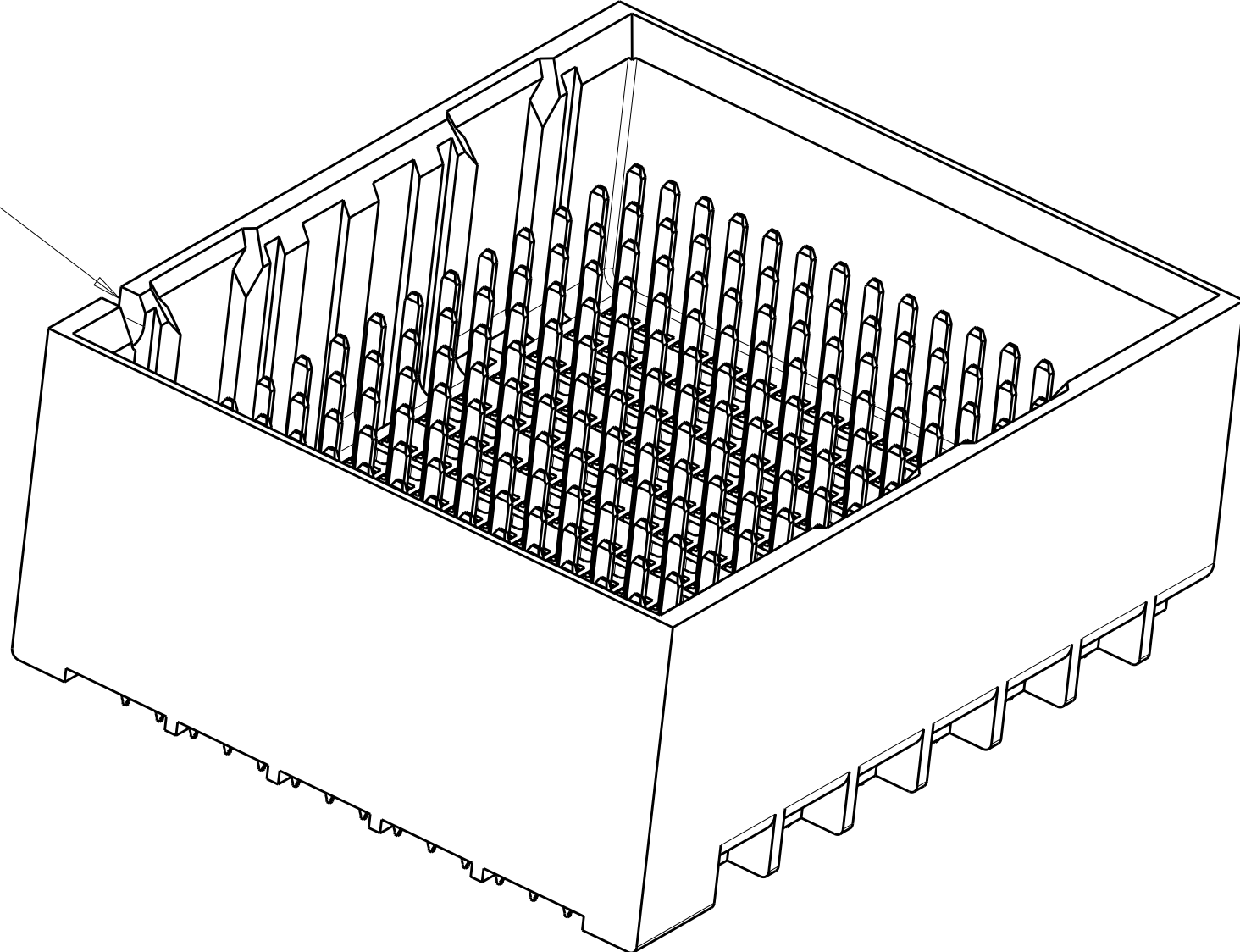
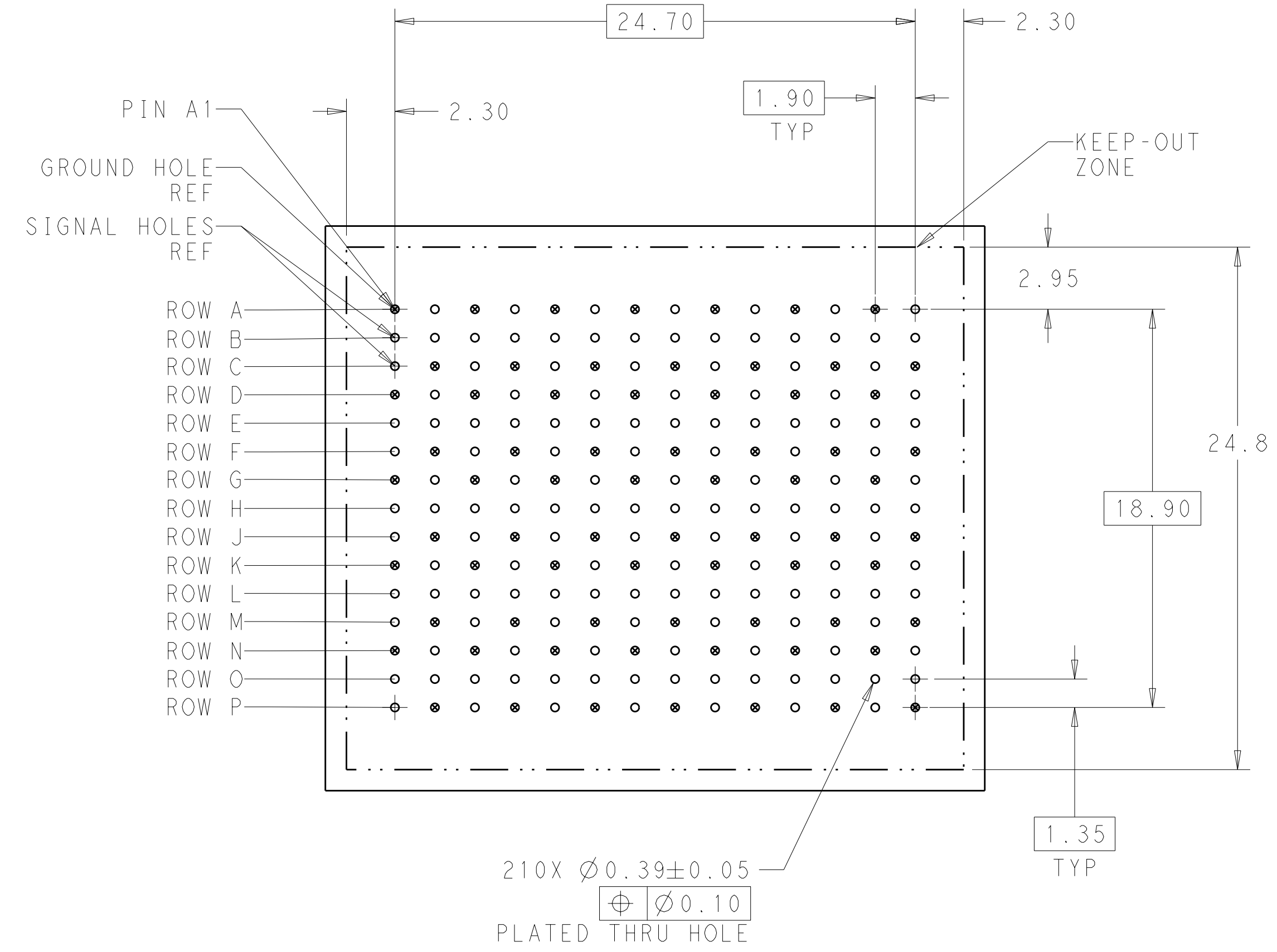
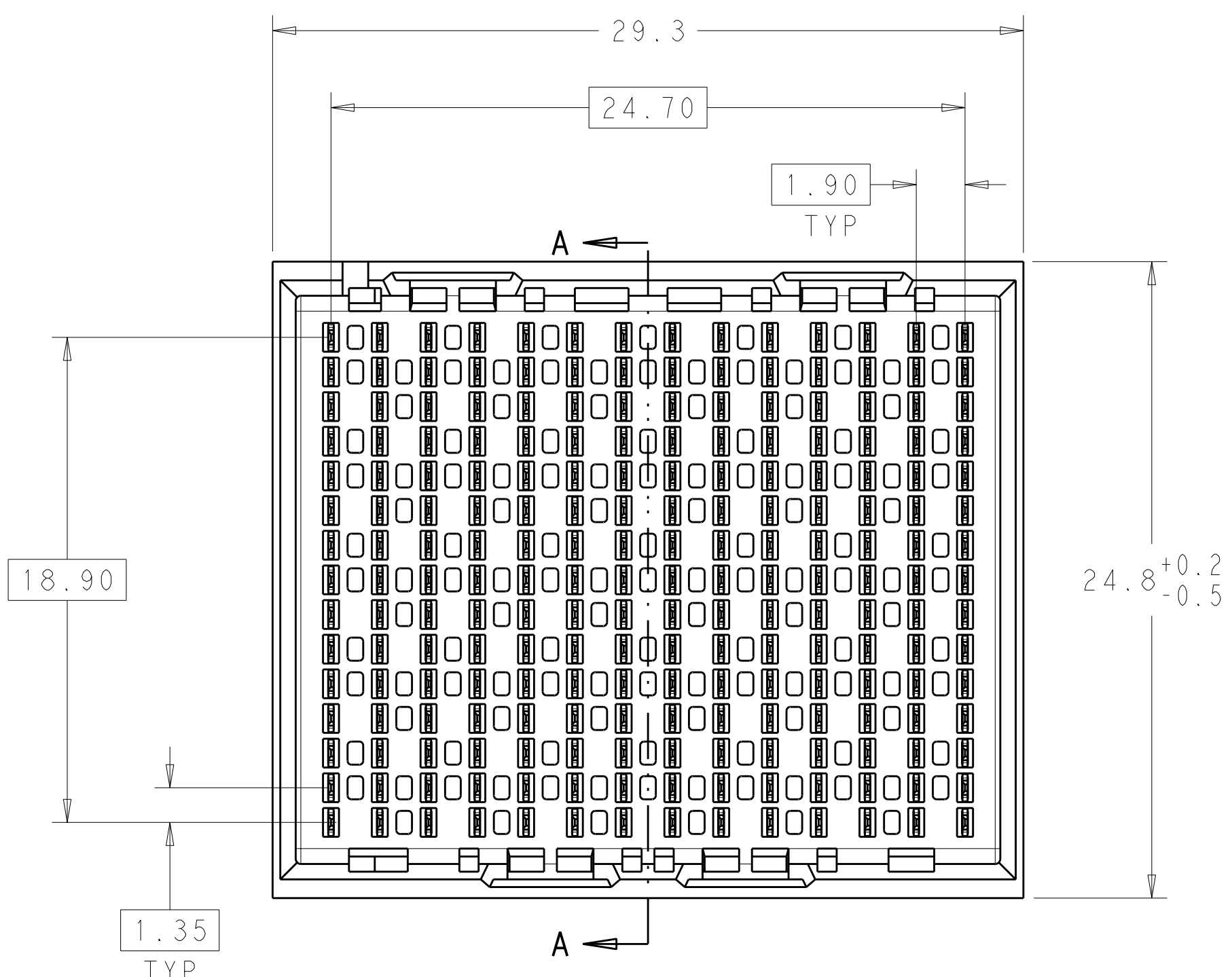


LOC		DIST		REVISIONS			
AD	00	P	LTH	DESCRIPTION	DATE	DWN	APVD
		1		DRAWING CREATED BY AUTOMATION PROGRAM	02MAY2011	-	JE
		2		2169868-2 ADDED TO PRINT	25APR2012	-	JE

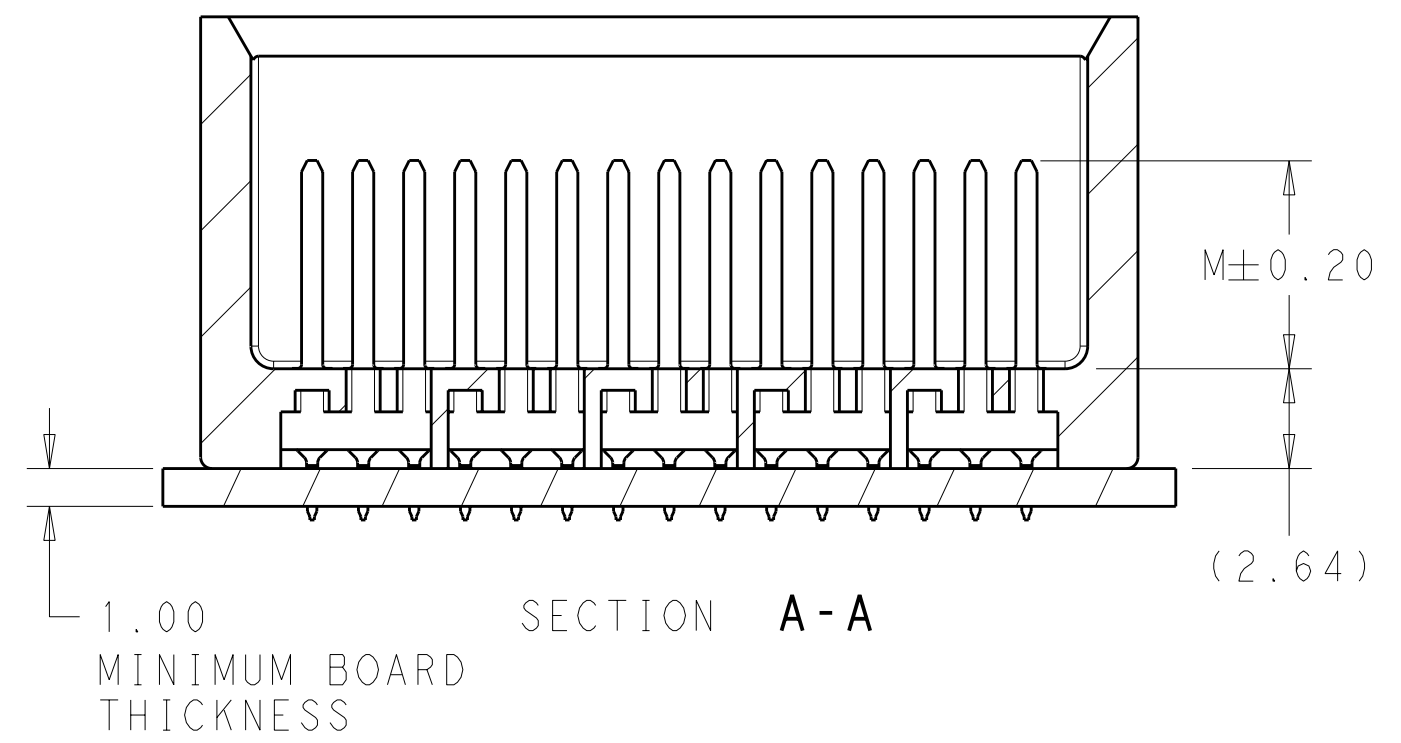
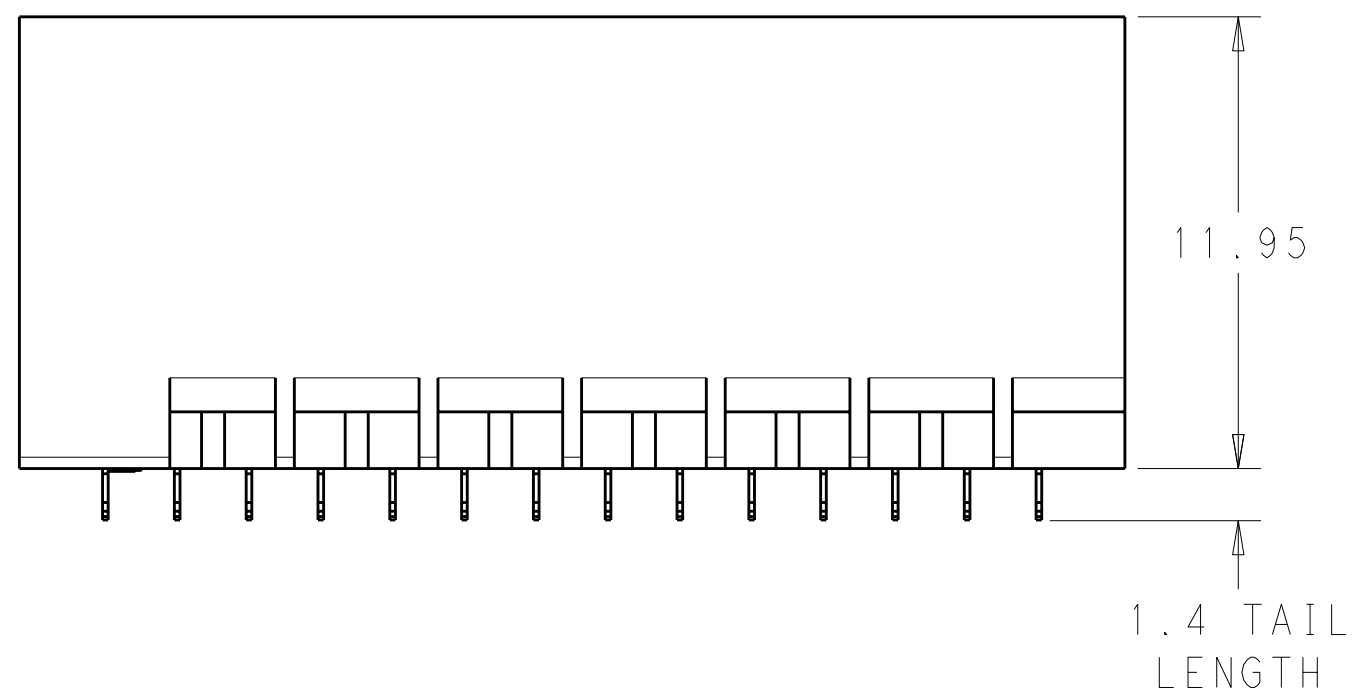
NOTCH DESIGNATES ROW A



- 1 MATERIAL:  
HOUSING: LCP, GLASS FILLED, UL94V-0.  
TERMINALS: HIGH PERFORMANCE COPPER ALLOY.
- 2 FINISH:  
30μ" MIN GOLD IN CONTACT AREA. SELECTIVE TIN ON PCB TAILS, NICKEL OVERALL.



UNGUIDED BACKPLANE HOLE PATTERN (CONNECTOR SIDE)



DESIGN APPROVED THIS PRINT IS  
**PRELIMINARY**  
 TO FIRST PIECE APPROVAL CONTACT PRODUCT ENGINEERING BEFORE USING THIS PRINT

DIMENSIONS: mm TOLERANCES UNLESS OTHERWISE SPECIFIED: 0 PLC ± 1 PLC ±0.25 2 PLC ±0.13 3 PLC ± 4 PLC ± ANGLES ±		DWN R. GRZYBOWSKI 02MAY2011 CHK J. EBY 02MAY2011 APVD J. EBY 02MAY2011		Tyco Electronics Corporation Harrisburg, PA 17105-3608	
MATERIAL:		FINISH:		NAME: IMPACT, 5 PAIR, 14 COLUMN, HEADER UNGUIDED, DUAL END WALL SIGNAL MODULE, 0.39 PTH, SELECT LOAD	
WEIGHT: -		SIZE: CAGE CODE DRAWING NO: A100779C=2169868		RESTRICTED TO: -	
CUSTOMER DRAWING		SCALE: 5:1		SHEET 1 OF 2 REV 2	

LOC	DIST	REVISIONS			
AD	00	REV	DATE	BY	APPD
-	-	SEE SHEET 1	-	-	-

2169868-1														
PART NUMBER														
CONTACT LAYOUT														
A = 4.5mm (DIM M)														
B = 4.9mm (DIM M)														
C = 5.5mm (DIM M)														
X = EMPTY														
COLUMNS														
	1	2	3	4	5	6	7	8	9	10	11	12	13	14
A	A	A	A	A	X	A	A	A	A	X	A	A	A	A
B	A	A	A	A	X	A	A	A	A	X	A	A	A	A
C	A	A	A	A	X	A	A	A	A	X	A	A	A	A
D	A	A	A	A	X	A	A	A	A	X	A	A	A	A
E	A	A	A	A	X	A	A	A	A	X	A	A	A	A
F	A	A	A	A	X	A	A	A	A	X	A	A	A	A
G	A	A	A	A	X	A	A	A	A	X	A	A	A	A
H	A	A	A	A	X	A	A	A	A	X	A	A	A	A
J	A	A	A	A	X	A	A	A	A	X	A	A	A	A
K	A	A	A	A	X	A	A	A	A	X	A	A	A	A
L	A	A	A	A	X	A	A	A	A	X	A	A	A	A
M	A	A	A	A	X	A	A	A	A	X	A	A	A	A
N	A	A	A	A	X	A	A	A	A	X	A	A	A	A
O	A	A	A	A	X	A	A	A	A	X	A	A	A	A
P	A	A	A	A	X	A	A	A	A	X	A	A	A	A

2169868-2														
PART NUMBER														
CONTACT LAYOUT														
A = 4.5mm (DIM M)														
B = 4.9mm (DIM M)														
C = 5.5mm (DIM M)														
X = EMPTY														
COLUMNS														
	1	2	3	4	5	6	7	8	9	10	11	12	13	14
A	A	A	A	A	A	A	X	X	A	A	A	A	A	A
B	A	A	A	A	A	A	X	X	A	A	A	A	A	A
C	A	A	A	A	A	A	X	X	A	A	A	A	A	A
D	A	A	A	A	A	A	X	X	A	A	A	A	A	A
E	A	A	A	A	A	A	X	X	A	A	A	A	A	A
F	A	A	A	A	A	A	X	X	A	A	A	A	A	A
G	A	A	A	A	A	A	X	X	A	A	A	A	A	A
H	A	A	A	A	A	A	X	X	A	A	A	A	A	A
J	A	A	A	A	A	A	X	X	A	A	A	A	A	A
K	A	A	A	A	A	A	X	X	A	A	A	A	A	A
L	A	A	A	A	A	A	X	X	A	A	A	A	A	A
M	A	A	A	A	A	A	X	X	A	A	A	A	A	A
N	A	A	A	A	A	A	X	X	A	A	A	A	A	A
O	A	A	A	A	A	A	X	X	A	A	A	A	A	A
P	A	A	A	A	A	A	X	X	A	A	A	A	A	A

REFER TO WWW.TE.COM  
FOR PRODUCT AVAILABILITY

DESIGN APPROVED THIS PRINT IS  
**PRELIMINARY**  
 TO FIRST PIECE APPROVAL  
 CONTACT PRODUCT ENGINEERING  
 BEFORE USING THIS PRINT

<small>THIS DRAWING IS UNPUBLISHED. RELEASED FOR PUBLICATION 20                  © COPYRIGHT 20 BY TYCO ELECTRONICS CORPORATION. ALL INTERNATIONAL RIGHTS RESERVED.</small>		DWN R. GRZYBOWSKI CHK J. EBY APVD J. EBY	02MAY2011 02MAY2011 02MAY2011	Tyco Electronics Corporation Harrisburg, PA 17105-3608
DIMENSIONS: mm	TOLERANCES UNLESS OTHERWISE SPECIFIED: 9 PLC ± 1 PLC ±0.25 5 PLC ±0.13 4 PLC ± ANGLES ± FINISH SEE TABLE	PRODUCT SPEC APPLICATION SPEC WEIGHT CUSTOMER DRAWING	NAME IMPACT, 5 PAIR, 14 COLUMN, HEADER UNGUIDED, DUAL END WALL SIGNAL MODULE, 0.39 PTH, SELECT LOAD	SIZE CAGE CODE DRAWING NO A100779C=2169868
SCALE 5:1 SHEET 2 OF 2 REV 2			RESTRICTED TO	

单击下面可查看定价，库存，交付和生命周期等信息

[>>TE Connectivity\(泰科\)](#)