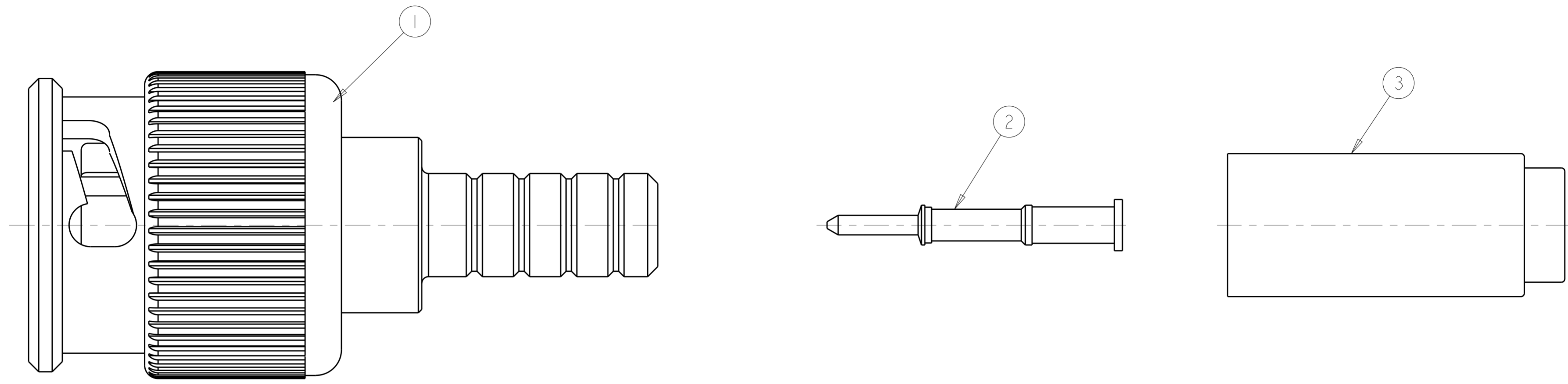


THIS DRAWING IS UNPUBLISHED. RELEASED FOR PUBLICATION 20
 © COPYRIGHT 20 BY - ALL RIGHTS RESERVED.

LOC	DIST	REVISIONS					
		P	LTR	DESCRIPTION	DATE	DWN	APVD
AJ	16			D3 REVISED PER ECR-16-005294	12APR2016	BW	RS
				D4 REVISED PER ECR-17-009545	04AUG2017	AS	RS
				D5 ECO-19-002795	27MAR2019	RZ	RS

- ITEMS PACKAGED UNASSEMBLED
- SEE SEPARATE CUSTOMER DRAWINGS FOR ITEM DETAILS
- SEE INSTRUCTION SHEET 408-8871 FOR CABLE TERMINATION DETAILS



ELECTRICAL	MECHANICAL	ENVIRONMENTAL
Impedance (Ohm) <u>75</u>	Interface Dimension : Fig. <u>-</u>	TEMPERATURE RANGE <u>-40C° TO + 85C°</u>
Frequency Range (GHz) <u>DC to 1GHZ</u>	Recommended Coupling Torque <u>N/A</u>	THERMAL SHOCK <u>EIA-364-32</u>
Voltage Rating (Peak) <u>@ Sea Level 300 V RMS</u>	Force to Engage and Disengage (In/lbs) <u>7.0 MAX</u>	MOISTURE RESISTANCE <u>EIA-364-32, METHOD 11 COND C</u>
Insulation Resistance (MIN.) <u>1000 M ohms</u>	Center Contact Captivation Axial (Lbs) <u>2.0</u> Radial (In/Oz) <u>N/A</u>	ROHS <u>COMPLIANT</u>
Contact Resistance (Milliohms MAX) Center Contact <u>6.0</u> Outer Contact <u>3.0</u>	Cable Retention Axial (Lbs) <u>N/A</u> Radial (In/Oz) <u>N/A</u>	
Dielectric Withstand Voltage: <u>750 V RMS Max</u>	Mating cycles <u>500</u> cycles	
Insertion Loss : <u>N/A</u>		
VSWR: <u>1.3 MAX</u>		
RF leakage: <u>N/A</u>		
3rd Intermodulation: <u>N/A</u>		

	RG179	.042[1.07]	.178[4.52]	1274563-3
OBSOLETE	734A	.042[1.07]	.255[6.48]	1274563-2
OBSOLETE	735A	.042[1.07]	.178[4.52]	1274563-1
STATUS	CABLE	CONTACT CRIMP (SQUARE)	FERRULE CRIMP (HEX)	PN

9-413658-0	1274565-6	2081579-1	1274563-3
9-221132-3	1274565-4	1274564-2	1274563-2
9-413658-2	1274565-2	1274564-1	1274563-1
FERRULE QTY = 1 (3)	CONTACT QTY = 1 (2)	PLUG ASSY QTY = 1 (1)	PART NUMBER

THIS DRAWING IS A CONTROLLED DOCUMENT.

DIMENSIONS: INCHES [mm]	TOLERANCES UNLESS OTHERWISE SPECIFIED: 0 PLC ± 1 PLC ± 2 PLC ± 3 PLC ± 4 PLC ± ANGLES ± FINISH	DWN K WEIDNER 03OCT2003 CHK G MICHAEL 13FEB2004 APVD K WEIDNER 13FEB2004	STE TE Connectivity
PRODUCT SPEC 108-2159		NAME STRAIGHT PLUG KIT, MINI BNC	
MATERIAL		SIZE A200779	CAGE CODE C-1274563
CUSTOMER DRAWING		SCALE 2:1	SHEET 1 OF 1 REV D5

单击下面可查看定价，库存，交付和生命周期等信息

[>>TE Connectivity\(泰科\)](#)