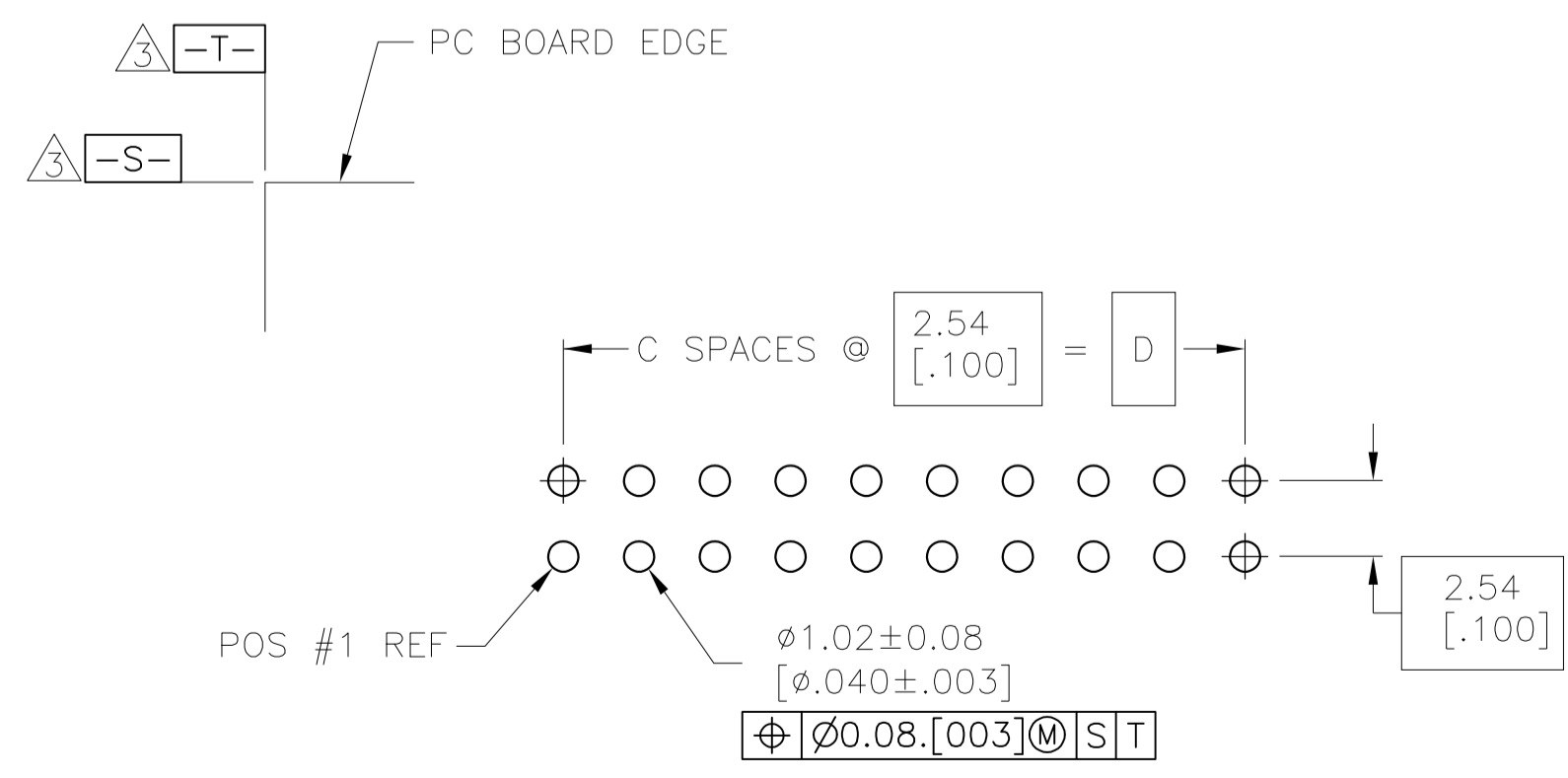
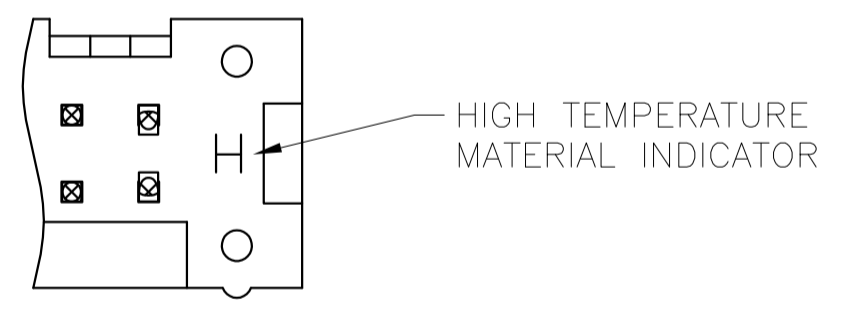
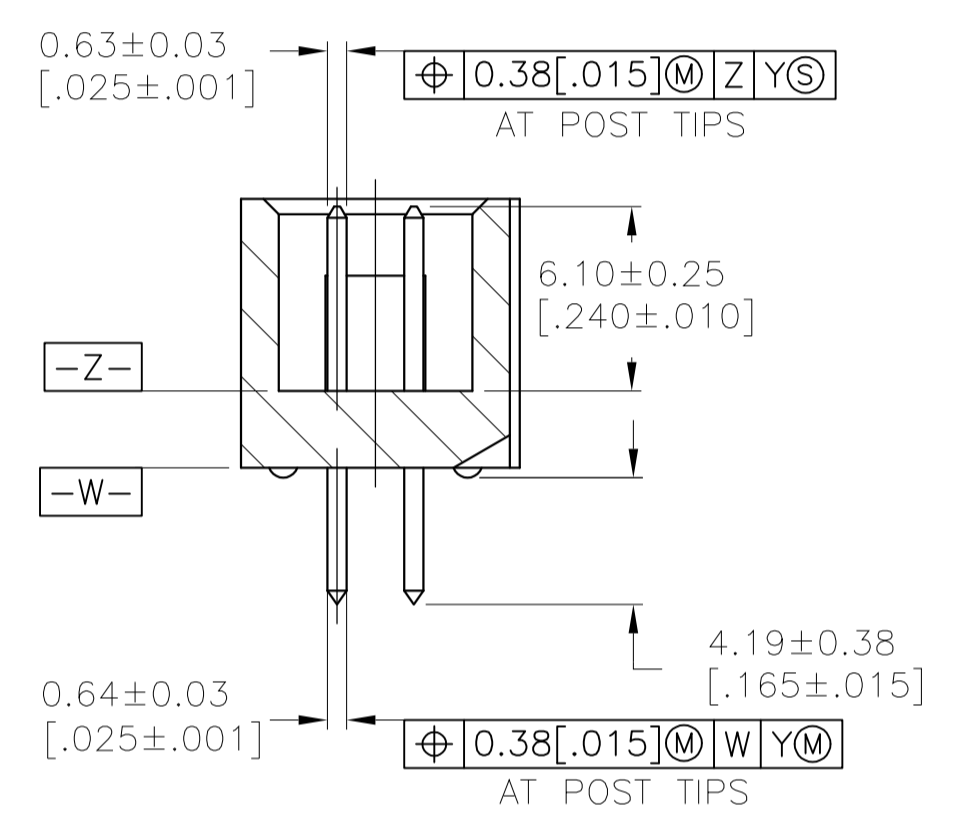
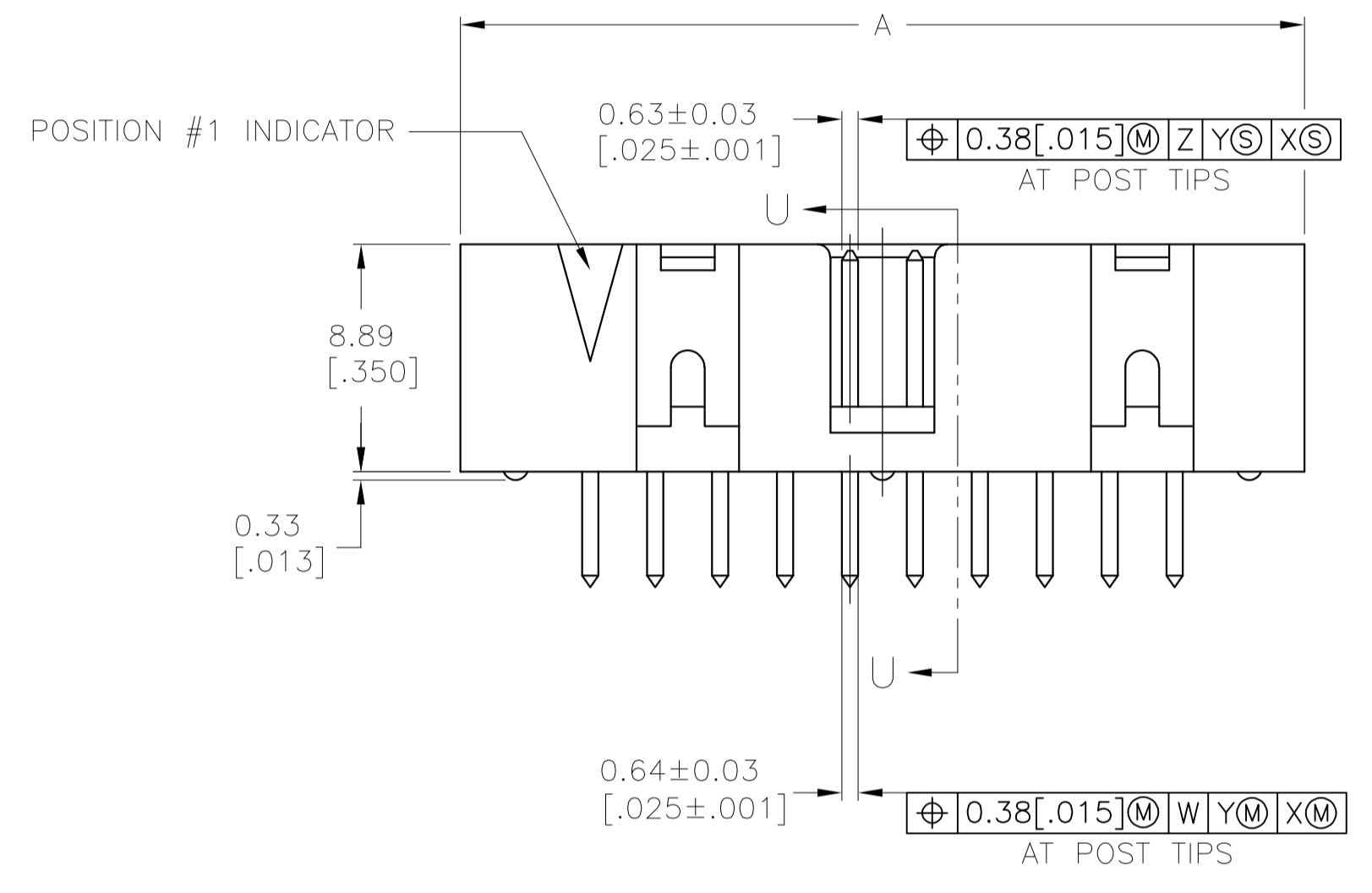


- ⚠ HOUSING: PCT, UL94V-0, COLOR BLACK.
- ⚠ POSTS: PHOSPHOR BRONZE.
- ⚠ POSTS: 0.00038[.000015] MIN GOLD ON MATING AREA, 0.00254[.000100] MIN TIN ON SOLDER END, ALL OVER 0.00127[.000050] MIN NICKEL ON ENTIRE POST.
- ⚠ DATUMS S & T TO BE ESTABLISHED BY CUSTOMER.
- ⚠ NO KEYING SLOT ON THIS END FOR 10 POSITION ASSEMBLY.
- ⚠ NO KEYING SLOT ON THIS END FOR 10 POSITION ASSEMBLY.



RECOMMENDED PC BOARD LAYOUT  
(VIEWED FROM CONNECTOR SIDE)

	78.74 [3.100]	31	86.36 [3.400]	88.90 [3.500]	64	1-1761683-7
	73.66 [2.900]	29	81.28 [3.200]	83.82 [3.300]	60	1-1761683-6
OBSOLETE	60.96 [2.400]	24	68.58 [2.700]	71.12 [2.800]	50	1-1761683-5
	48.26 [1.900]	19	55.88 [2.200]	58.42 [2.300]	40	1-1761683-3
	40.64 [1.600]	16	48.26 [1.900]	50.80 [2.000]	34	1-1761683-1
	30.48 [1.200]	12	38.10 [1.500]	40.64 [1.600]	26	1761683-9
	22.86 [.900]	9	30.48 [1.200]	33.02 [1.300]	20	1761683-7
	10.16 [.400]	4	17.78 [.700]	20.32 [.800]	10	1761683-3
	D	C	B	A	NO OF POS	PART NUMBER

THIS DRAWING IS A CONTROLLED DOCUMENT.

DIMENSIONS:	TOLERANCES UNLESS OTHERWISE SPECIFIED:	APPROVED:	DATE:
mm	0 PLC ± -	B. CRISAMORE/DTI	05JUN05
	1 PLC ± -	S. BOLASH	05JUN05
	2 PLC ± -	M. WALMSLEY	05JUN05
	3 PLC ± 0.13(.005)		
	4 PLC ± -		
	ANGLES ± -		

MATERIAL: FINISH:

WEIGHT: -- SIZE: A1 00779 C=1761683

CUSTOMER DRAWING SCALE: 4:1 SHEET: 1 OF 1 REV: A1

单击下面可查看定价，库存，交付和生命周期等信息

[>>TE Connectivity\(泰科\)](#)