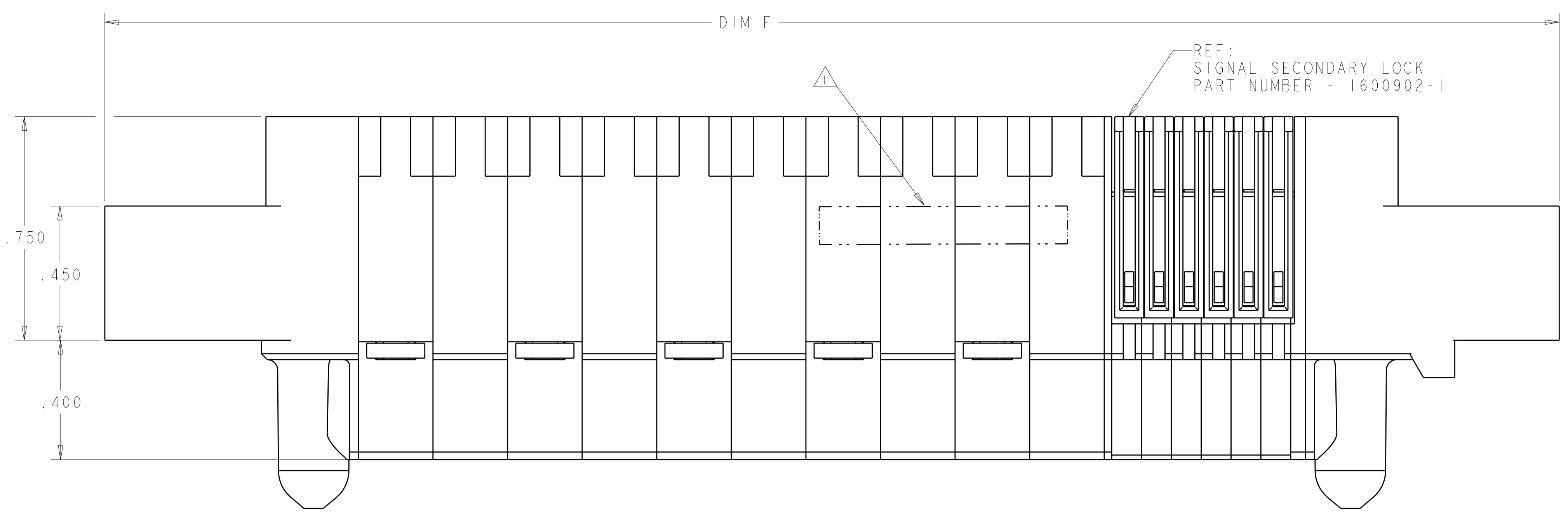
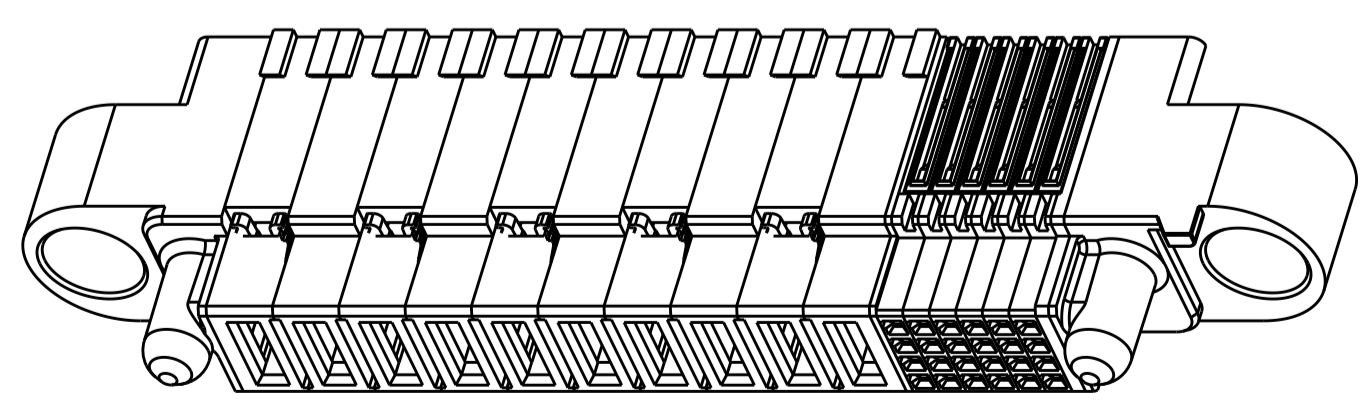
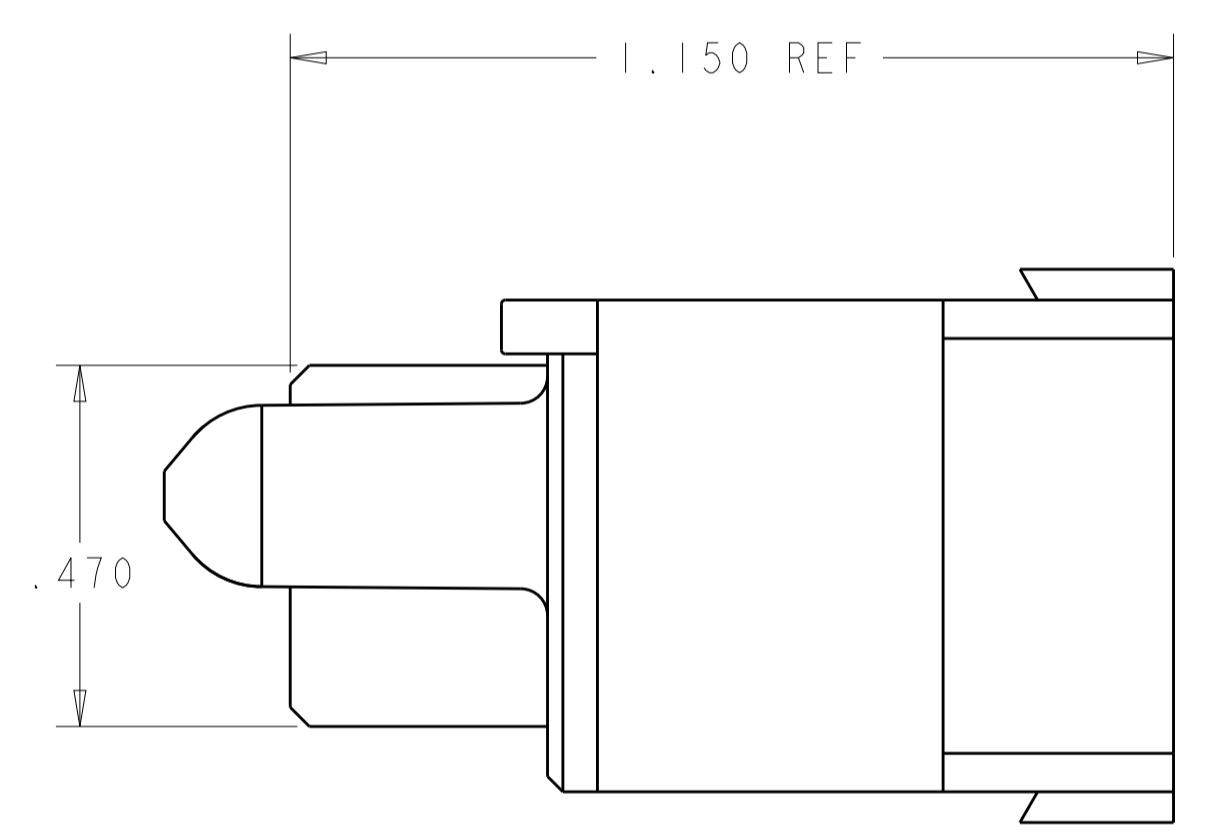
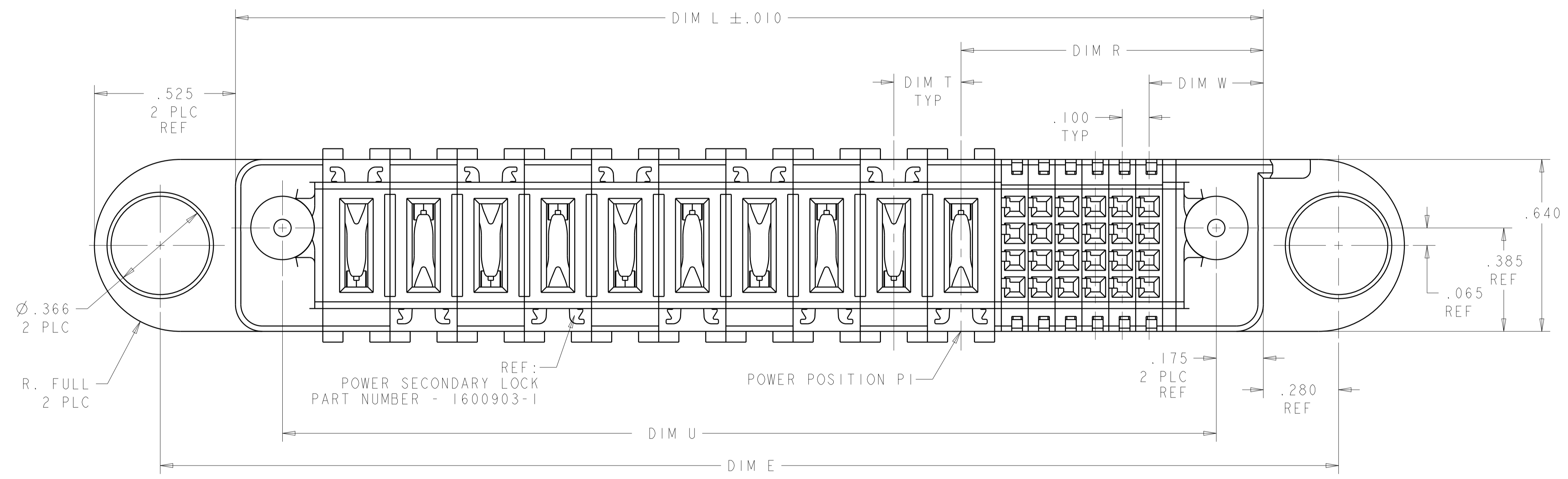


LOC		DIST		REVISIONS			
ES	00	P	LTN	DESCRIPTION	DATE	DWN	APVD
	A4			ADDED NEW DASH NUMBER -9 AND 1-0	24SEP2012	CZ	SZ
	A6			ADD NEW DASH NUMBER 1-1	15DEC2014	CZ	SZ



- 1 COMPANY TRADEMARK, PART NUMBER, AND DATE CODE TO BE MARKED IN AREA SHOWN. PARTS UNDER 2.00 LONG MAY BE MARKED ON BOTH SIDES.
- 2 MATERIAL: THERMO PLASTIC, UL94 V-0.
- 3 DATUM LOCATIONS AND BASIC DIMENSIONS TO BE ESTABLISHED BY THE CUSTOMER.
- 4 BULKHEAD THICKNESS RANGE: .031 - .100.
- 5 CONNECTOR MATED TO PANEL FROM OPPOSITE SIDE.
- 6 NO BURRS ALLOWED ON OPPOSITE (MATING) SIDE.
- 7 CONNECTOR KEEP OUT ZONE.
- 8 MOUNT CONNECTOR WITH TYCO HARDWARE KIT 1600914-3 FOR .050 (1.27mm) MIN RADIAL FLOAT.
- 9 VARIABLE DIMENSIONS PLEASE REFER TO BOM TABLE FOR DETAIL.



ISOMETRIC VIEW
SCALE 3:2

.400	1.825	-	-	2.175	3.225	2.735	OP + 60S + 0P	1-1600626-1
.425	1.775	.250	.925	2.125	3.175	2.685	OP + 16S + 4P	1-1600626-0
.425	1.675	.250	.825	2.025	3.075	2.585	OP + 12S + 4P	1600626-9
.375	1.600	.250	.750	1.950	3.000	2.510	OP + 12S + 4P	1600626-6
.425	3.700	△	1.175	4.050	5.100	4.610	24S + 3ACP + 7P	1600626-5
.425	2.500	.500	.875	2.850	3.900	3.410	OP + 12S + 4ACP	1600626-4
.425	3.100	.300	.875	3.450	4.500	4.010	OP + 12S + 8ACP	1600626-3
.425	3.200	.300	1.575	3.550	4.600	4.110	OP + 40S + 6ACP	1600626-2
.425	3.475	.250	1.125	3.825	4.875	4.385	OP + 24S + 10P	1600626-1
DIM W	DIM U	DIM T	DIM R	DIM L	DIM F	DIM E	DESCRIPTION	PART NUMBER

THIS DRAWING IS A CONTROLLED DOCUMENT. DWN: D. RINGLER 16SEP2003, CHK: M. CORRELL 18SEP2003, APVD: -

DIMENSIONS: INCHES. TOLERANCES UNLESS OTHERWISE SPECIFIED: 0 PLC ±.01, 2 PLC ±.01, 3 PLC ±.005, 4 PLC ±.0020, ANGLES ±.0020.

MATERIAL: 2. FINISH: -

PRODUCT SPEC: 108-2157, APPLICATION SPEC: 114-13112, SIZE: 114-13112, WEIGHT: -

CUSTOMER DRAWING. SCALE: 4:1, SHEET 1 OF 3, REV: A6

STE TE Connectivity. NAME: PANEL MOUNT CABLE RECEPTACLE HOUSING, WITH GUIDES, MULTI-BEAM XL. CAGE CODE: A100779, DRAWING NO: 1600626.

LOC	DIST	REVISIONS			
ES	00	REV	DATE	BY	APPV
		1	SEE SHEET 1		

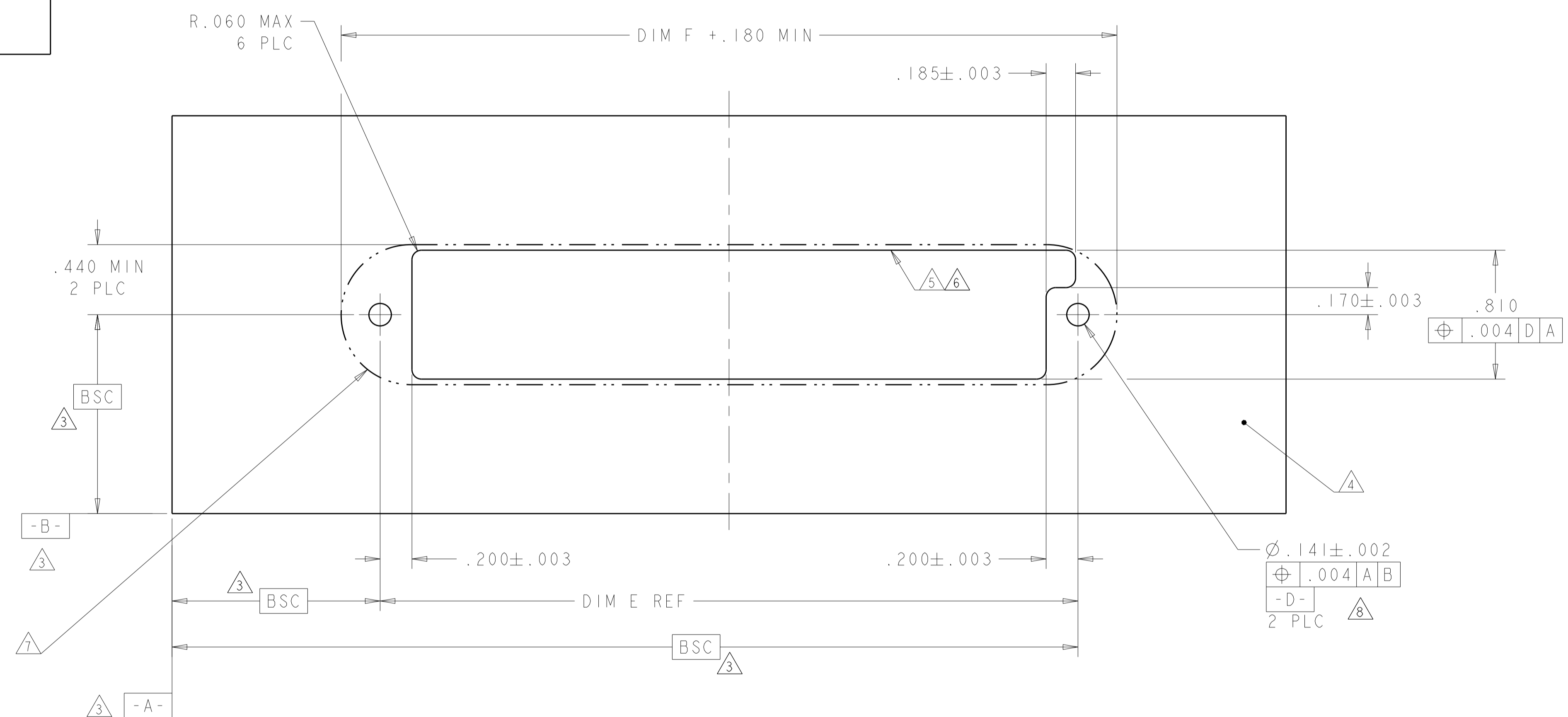
PART NUMBER	ROWS	POWER										SIGNAL					
		P10	P9	P8	P7	P6	P5	P4	P3	P2	P1	6	5	4	3	2	1
1600626-1	D	RM	RM	RM	RM	RM	RM	RM	RM	RM	RM	E	E	E	E	E	E
	C	RM	RM	RM	RM	RM	RM	RM	RM	RM	RM	E	E	E	E	E	E
	B	RM	RM	RM	RM	RM	RM	RM	RM	RM	RM	E	E	E	E	E	E
	A	RM	RM	RM	RM	RM	RM	RM	RM	RM	RM	E	E	E	E	E	E
OP + 24S + 10P																	

PART NUMBER	ROWS	POWER						SIGNAL									
		P6	P5	P4	P3	P2	P1	10	9	8	7	6	5	4	3	2	1
1600626-2	D	RA	RA	RA	RA	RM	RM	E	E	E	E	E	E	E	E	E	E
	C	RA	RA	RA	RA	RM	RM	E	E	E	E	E	E	E	E	E	E
	B	RA	RA	RA	RA	RM	RM	E	E	E	E	E	E	E	E	E	E
	A	RA	RA	RA	RA	RM	RM	E	E	E	E	E	E	E	E	E	E
OP + 40S + 6ACP																	

PART NUMBER	ROWS	POWER								SIGNAL			
		P8	P7	P6	P5	P4	P3	P2	P1	3	2	1	
1600626-3	D	RA	RM	RM	RM	RM	RM	RM	RM	E	E	E	
	C	RA	RM	RM	RM	RM	RM	RM	RM	E	E	E	
	B	RA	RM	RM	RM	RM	RM	RM	RM	E	E	E	
	A	RA	RM	RM	RM	RM	RM	RM	RM	E	E	E	
OP + 12S + 8ACP		NO CONTACTS LOADED											

PART NUMBER	ROWS	POWER				SIGNAL		
		P4	P3	P2	P1	3	2	1
1600626-4	D	RM	RM	RM	RA	E	E	E
	C	RM	RM	RM	RA	E	E	E
	B	RM	RM	RM	RA	E	E	E
	A	RM	RM	RM	RA	E	E	E
OP + 12S + 4ACP								

PART NUMBER	ROWS	POWER										SIGNAL					
		P10	P9	P8	P7	P6	P5	P4	P3	P2	P1	6	5	4	3	2	1
1600626-5	D	RA	RM	RM	RM	RM	RM	RM	RM	RM	RM	E	E	E	E	E	E
	C	RA	RM	RM	RM	RM	RM	RM	RM	RM	RM	E	E	E	E	E	E
	B	RA	RM	RM	RM	RM	RM	RM	RM	RM	RM	E	E	E	E	E	E
	A	RA	RM	RM	RM	RM	RM	RM	RM	RM	RM	E	E	E	E	E	E
24S + 3ACP + 7P																	



BULKHEAD LAYOUT SCALE 2:1

REFERENCE WIRE CHART AND CONTACTS		
HOUSING MODULE	CONTACT	INSULATION DIAMETER RANGE
.300 POWER	8-10 1600960 REF	[.176 - .272]
.250 POWER	8-10 1600960 REF	[.176 - .203]
	12-14 1600961 REF	[.156 - .176]
.200 POWER	12-14 1600961 REF	[.120 - .156]
.100 SIGNAL	22 - 26 531216-5 REF	[.036 - .069]

PART NUMBER	ROWS	POWER				SIGNAL		
		P4	P3	P2	P1	3	2	1
1600626-4	D	RM	RM	RM	RM	E	E	E
	C	RM	RM	RM	RM	E	E	E
	B	RM	RM	RM	RM	E	E	E
	A	RM	RM	RM	RM	E	E	E
OP + 12S + 4P								

CODE	DESCRIPTION
RM	STANDARD POWER CONTACT
RA	MFBL POWER CONTACT
E	SIGNAL CONTACT
CONTACT TABLE	

THIS DRAWING IS A CONTROLLED DOCUMENT.

DIMENSIONS: INCHES
 TOLERANCES UNLESS OTHERWISE SPECIFIED:
 0 PLC ±.
 1 PLC ±.01
 2 PLC ±.01
 3 PLC ±.005
 4 PLC ±.002
 ANGLES ±.2°
 FINISH:

DWG: D. RINGLER 16SEP2003
 CHK: M. CORRELL 18SEP2003
 APVD:

PRODUCT SPEC: 108-2157
 APPLICATION SPEC: 114-13112
 WEIGHT:

NAME: PANEL MOUNT CABLE RECEPTACLE HOUSING, WITH GUIDES, MULTI-BEAM XL
 SIZE: A1
 CAGE CODE: 100779
 DRAWING NO: 1600626
 RESTRICTED TO:

CUSTOMER DRAWING
 SCALE: 4:1
 SHEET: 2 OF 3
 REV: A6

LOC	DIST	REVISIONS					
ES	00	P	LTH	DESCRIPTION	DATE	DWN	APVD
		-		SEE SHEET 1		-	-

PART NUMBER	ROWS		POWER				SIGNAL		
			P4	P3	P2	P1	3	2	1
1600626-9	D C B A		RM	RM	RM	RM	E	E	E
							E	E	E
							E	E	E
							E	E	E
OP + 12S + 4P									

PART NUMBER	ROWS		POWER				SIGNAL			
			P4	P3	P2	P1	4	3	2	1
1-1600626-0	D C B A		RM	RM	RM	RM	E	E	E	E
							E	E	E	E
							E	E	E	E
							E	E	E	E
OP + 16S + 4P										

PART NUMBER	ROWS		SIGNAL																
			15	14	13	12	11	10	9	8	7	6	5	4	3	2	1		
1-1600626-1	D C B A		E	E	E	E	E	E	E	E	E	E	E	E	E	E	E	E	
			E	E	E	E	E	E	E	E	E	E	E	E	E	E	E	E	
			E	E	E	E	E	E	E	E	E	E	E	E	E	E	E	E	E
			E	E	E	E	E	E	E	E	E	E	E	E	E	E	E	E	E
OP + 60S + 0P																			

THIS DRAWING IS A CONTROLLED DOCUMENT.		DWN D. RINGLER 16SEP2003	TE Connectivity		
DIMENSIONS: INCHES		CHK M. CORRELL 18SEP2003			
		TOLERANCES UNLESS OTHERWISE SPECIFIED: 0 PLC ±. 1 PLC ±.01 2 PLC ±.01 3 PLC ±.005 4 PLC ±.0020 ANGLES ±.2°		APVD PRODUCT SPEC 108-2157 APPLICATION SPEC 114-13112 WEIGHT CUSTOMER DRAWING	NAME PANEL MOUNT CABLE RECEPTACLE HOUSING, WITH GUIDES, MULTI-BEAM XL SIZE A100779C=1600626 RESTRICTED TO
MATERIAL		SCALE 4:1		SHEET 3 OF 3	
FINISH		REV A6			

单击下面可查看定价，库存，交付和生命周期等信息

[>>TE Connectivity\(泰科\)](#)