

THIS DRAWING IS UNPUBLISHED.

RELEASED FOR PUBLICATION

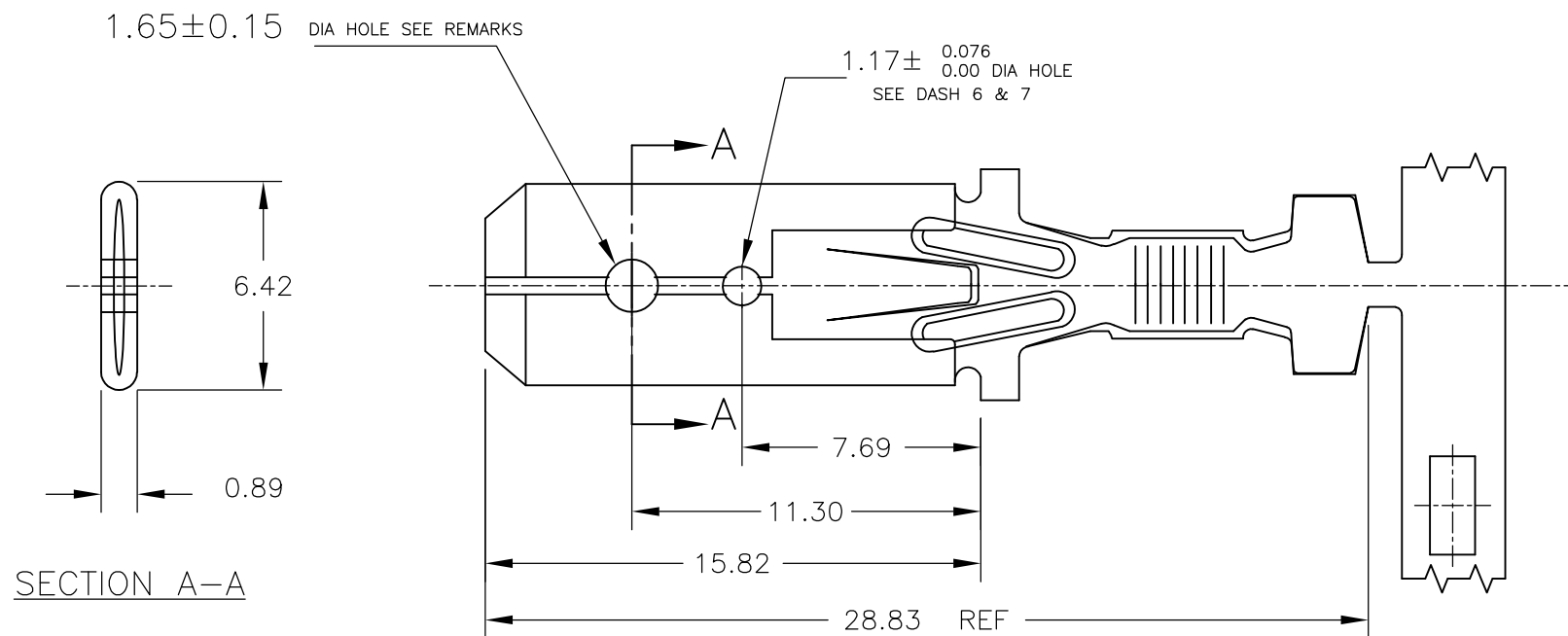
ALL RIGHTS RESERVED.

© COPYRIGHT - By -

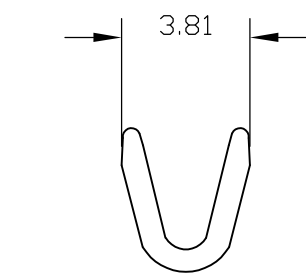
LOC	DIST	REVISIONS			
P	LTR	DESCRIPTION	DATE	DWN	APVD
	M	REVISED PER ECR-13-005733	02SEP13	KH	PD

NOTES

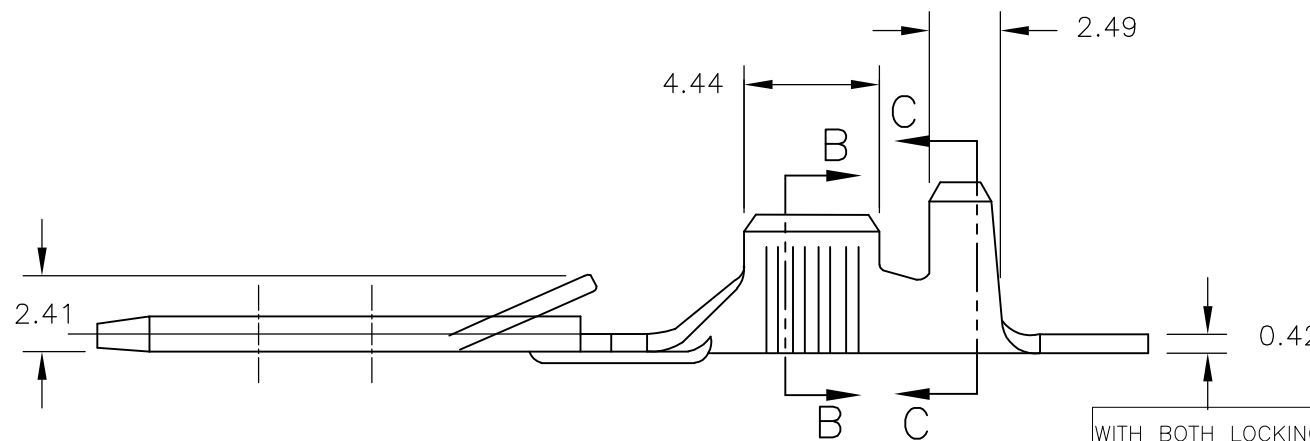
- 1 DIMENSIONS WITH MAX. TOLERANCES (DIMENSIONES CON TOLERANCIAS MAX)
- 2 FOR REVERSE REAL SEE DWG. 155098 DASCHES 1 - 2 - 3 AND 4 ONLY. (PARA ENROLLADO OPUESTO VER DIDUJO 155098- 1, 2, 3 Y 4 SOLEMANTE.)



SECTION A-A



SECTION B-B



SECTION C-C

REMARKS (OBSERVS.)	FINISH(TERMINADO)	MATERIAL	PART NUMBER
WITH BOTH LOCKING HOLES 1.65 AND 1.17 DIA	NONE(NINGUNO)	PHOS. BRONZE	155378-8
WITH BOTH LOCKING HOLES 1.65 AND 1.17 DIA	TIN PLATED(ESTANO)	BRASS(LATON)	155378-7
	NONE(NINGUNO)	BRASS(LATON)	155378-6
WITH BOTH LOCKING HOLES	NONE(NINGUNO)	PHOS. BRONZE	155378-5
	TIN PLATED(ESTANO)	BRASS(LATON)	155378-4
WITH LOCKING HOLE 1.65 ONLY	NONE(NINGUNO)	BRASS(LATON)	155378-3
	TIN PLATED(ESTANO)	BRASS(LATON)	155378-2
WITH BOTH LOCKING HOLES	NONE(NINGUNO)	BRASS(LATON)	155378-1

THIS DRAWING IS A CONTROLLED DOCUMENT.

DIMENSIONS:	TOLERANCES UNLESS OTHERWISE SPECIFIED:
mm	
0 PLC	± -
1 PLC	± -
2 PLC	± 0.10
3 PLC	± 0.25
4 PLC	± -
ANGLES	± 1°

WIRE RANGE
18-14

MATERIAL
-

FINISH
-

DWN	A LOPEZ
CHK	J ELIAS
APVD	J ELIAS
PRODUCT SPEC	-
APPLICATION SPEC	-
WEIGHT	-
CUSTOMER DRAWING	

STE TE Connectivity			
FASTIN FASTON TAB .250 SERIES			
SIZE	CAGE CODE	DRAWING NO	RESTRICTED TO
A3	00779	C-155378	-
SCALE		SHEET	REV
NTS		1 OF 1	M

单击下面可查看定价，库存，交付和生命周期等信息

[>>TE Connectivity\(泰科\)](#)