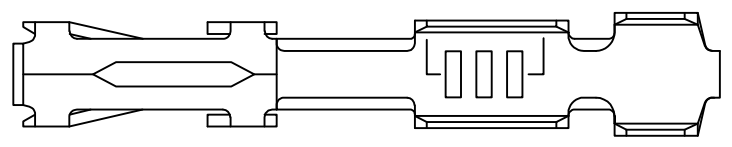
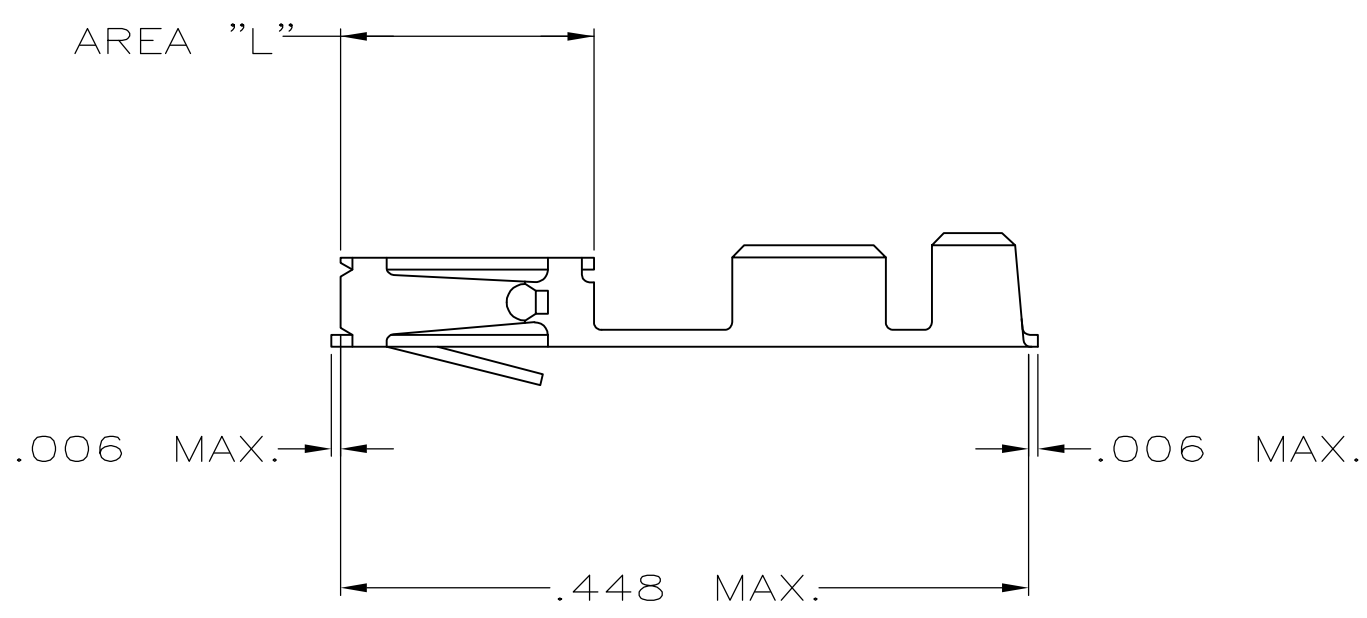


THIS DRAWING IS UNPUBLISHED. RELEASED FOR PUBLICATION
 © COPYRIGHT - By - ALL RIGHTS RESERVED.

LOC	DIST	REVISIONS					
AD	00	P	LTR	DESCRIPTION	DATE	DWN	APVD
		B1		REVISED PER ECO-11-004587	11MAR11	RK	HMR



1. LOOSE PIECE TERMINAL MUST MEET ALL APPLICABLE STRIP SPECIFICATIONS IN ADDITION TO THOSE SHOWN.
2. .000030 MIN. GOLD OVER .000050-.000100 NICKEL.
3. GOLD FLASH OVER .000050-.000100 NICKEL
.000030 GOLD ON CONTACT AREA.
4. PREPLATING: .000078-.000158 BRIGHT TIN (HALT)
PER 112-20-6
5. .000050 GOLD OVER .000050-.000100 NICKEL.
6. GOLD FLASH OVER .000050-.000100 NICKEL
.000015 GOLD ON CONTACT AREA.
7. GOLD FLASH ON AREA "L"
.000050 GOLD ON CONTACT AREA.
ALL OVER .000050-.000100 NICKEL ENTIRE CONTACT.



OBSOLETE	7	1-87666-6	87667-6
	6	87666-5	87667-5
	5	87666-4	87667-4
	4	87666-3	87667-3
	3	87666-2	87667-2
	2	87666-1	87667-1
FINISH		MAKE FROM STRIP PART NO.	PART NUMBER

THIS DRAWING IS A CONTROLLED DOCUMENT.		DWN M.BINNER 27JUN06	STE TE Connectivity													
DIMENSIONS: INCHES		CHK D.ROHDE 27JUN06														
TOLERANCES UNLESS OTHERWISE SPECIFIED:		APVD D.ROHDE 27JUN06	NAME CONTACT,FEMALE,MOD IV, CRIMP SNAP-IN (LOOSE PIECE)													
<table border="0"> <tr><td>0 PLC</td><td>± -</td></tr> <tr><td>1 PLC</td><td>± -</td></tr> <tr><td>2 PLC</td><td>± .02</td></tr> <tr><td>3 PLC</td><td>± .005</td></tr> <tr><td>4 PLC</td><td>± .0005</td></tr> <tr><td>ANGLES</td><td>± 0°30'</td></tr> </table>		0 PLC	± -	1 PLC	± -	2 PLC	± .02	3 PLC	± .005	4 PLC	± .0005	ANGLES	± 0°30'	PRODUCT SPEC -	APPLICATION SPEC -	
0 PLC	± -															
1 PLC	± -															
2 PLC	± .02															
3 PLC	± .005															
4 PLC	± .0005															
ANGLES	± 0°30'															
MATERIAL SEE TABLE	FINISH SEE TABLE	WEIGHT -	SIZE A3	CAGE CODE 00779	DRAWING NO C-87667	RESTRICTED TO -										
CUSTOMER DRAWING			SCALE 8:1	SHEET 1 OF 1	REV B1											

单击下面可查看定价，库存，交付和生命周期等信息

[>>TE Connectivity\(泰科\)](#)