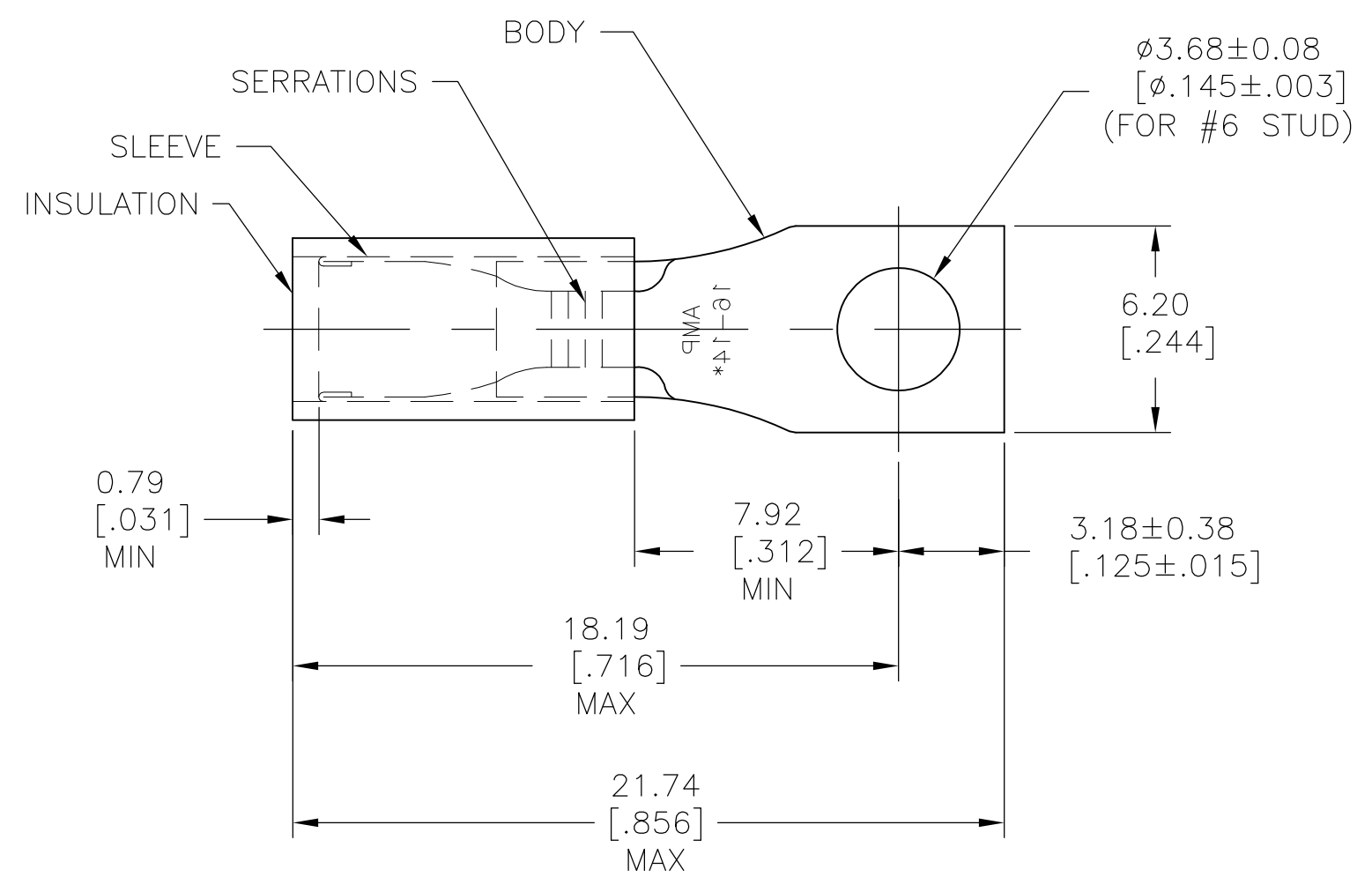


THIS DRAWING IS UNPUBLISHED. RELEASED FOR PUBLICATION
 © COPYRIGHT BY TYCO ELECTRONICS CORPORATION. ALL INTERNATIONAL RIGHTS RESERVED.

LOC	DIST	REVISIONS					
G	14	P	LTR	DESCRIPTION	DATE	DWN	APVD
			E1	REVISED PER ECR-09-005960	14APR09	HMR	JR



△ 1 SUPERSEDED BY 33172

TONGUE MATERIAL THK = 0.79 ± 0.05 [.031 ± 0.002]
 FOR 2.67 [.105] TO 3.81 [.150] WIRE INS. DIA

1	33172 ON TAPE	2-33172-1	INSULATION: NYLON COLOR: BLUE SLEEVE: COPPER (ASTM-B152) BODY: COPPER (ASTM-B152) TIN PL (ASTM-B545)
1	WIRE TERMINAL	33172	
QTY	DESCRIPTION	PART NO	MATERIAL & FINISH

THIS DRAWING IS A CONTROLLED DOCUMENT.		DWN	RAGHAVENDRA	14APR09	Tyco Electronics Corporation Harrisburg, PA 17105-3608						
DIMENSIONS: mm [INCHES]		CHK	JEFF RUTH	14APR09							
TOLERANCES UNLESS OTHERWISE SPECIFIED:		APVD	Tom Michielutti	14APR09	NAME						
0 PLC ± - 1 PLC ± - 2 PLC ± - 3 PLC ± 0.20 [.008] 4 PLC ± - ANGLES ± 5°		PRODUCT SPEC		WIRE TERMINAL P.I.D.G.-RECTANGULAR TONGUE WIRE SIZE: 16-14							
MATERIAL SEE TABLE		FINISH SEE TABLE		APPLICATION SPEC		SIZE	CAGE CODE	DRAWING NO	RESTRICTED TO		
				WEIGHT -		A3	00779	G-33172	-		
CUSTOMER DRAWING						SCALE	5:1	SHEET	1 OF 1	REV	E1

单击下面可查看定价，库存，交付和生命周期等信息

[>>TE Connectivity\(泰科\)](#)